

POWER TRANSMISSION

2015 PRODUCTS CATALOG

POWERING PROGRESS™



Table of Contents

| DESCRIPTION | PAGE | DESCRIPTION | PAGE |
|---|---------|--|---------|
| Tension Testers | | Synchronous Metal(Continued) | |
| Preventive Maintenance Tools | 1 | Draftguard® Anti-Rotation Device | 210 |
| Synchronous Belts | | Heavy Duty V-Belt Metal | |
| Poly Chain® Carbon™ Volt™ Belts (8M, 14M) | 2-3 | Super HC® Sheaves - QD® (3V, 5V, 8V) | 211-219 |
| Poly Chain® GT® Carbon™ Belts (8M, 14M) | 4-7 | Multi-Duty® Sheaves - QD® | 220-230 |
| Poly Chain® GT® Carbon™ - Extended Length Belts | 8 | JVS Adjustable Speed Sheaves - Bored-to-Size | 231 |
| Curve Saw Poly Chain® GT®2 Belts | 9 | 5VS and 8VS Adjustable Speed Sheaves - QD® | 232 |
| Poly Chain® GT® Carbon™ Belts - 8M Short Length | 10 | SVS Adjustable Speed Sheaves - Bored-To-Size | 233-234 |
| Poly Chain® GT® Carbon™ - 5M | 11 | Light Duty V-Belt Metal | |
| Poly Chain® HTD® Belts (14M) | 12-13 | Light Duty Sheaves - Bored-to-Size | 235-238 |
| PowerGrip® TruMotion® Belts | 14 | Light Duty Sheaves - Variable Pitch | 239 |
| PowerGrip® GT®3 Belts - 2M and 3M | 15-18 | Light Duty Sheaves - QT Bushed | 240-242 |
| PowerGrip® GT®3 Belts - 5M | 19-20 | Bushings | |
| PowerGrip® GT®3 Belts - 8M, 14M and ACHE | 21-25 | QD® Bushings - English Sizes | 243-245 |
| PowerGrip® HTD® Belts (3M, 5M, 8M, 14M, 20M) | 26-36 | QD® VS Bushings - English Sizes (5VS, 8VS) | 246 |
| PowerGrip® Timing Belts (MXL, XL, L, H, XH, XXH) | 37-48 | QD® Bushings - Metric Sizes | 247 |
| Cotton Cleaner Belts (Special Pitch/KEVLAR® Tensile Timing Belts) | 49 | Taper-Lock® Bushings - English Sizes | 248-252 |
| PowerGrip® GT®2 Twin Power® Belts - 3MR and 5MR | 50-51 | Stainless Steel Taper-Lock® Bushings - English Sizes | 253 |
| PowerGrip® GT®2 Twin Power® Belts - 8M and 14M | 52-55 | Taper-Lock® Bushings - Metric Sizes | 254 |
| PowerGrip® HTD® Twin Power® Belts (3M, 5M) | 56-57 | Stainless Steel Taper-Lock® Bushings - Metric Sizes | 255 |
| PowerGrip® Twin Power® Timing Belts (TPXL, TPL, TPH) | 58-64 | Taper-Lock® Bushings - Reborable | 256 |
| Long-Length Poly Chain® GT® Carbon™ Belting | 65 | QT-Type Bushings | 257 |
| Long-Length PowerGrip® GT®2 Belting | 66 | Idlers | |
| Long-Length PowerGrip® HTD® Belting | 67 | Flat Idler Pulley | 258 |
| Long-Length PowerGrip® Timing Belting | 68 | Poly Chain® GT® Carbon™ Idler Sprocket | 259 |
| Synchro-Power® Polyurethane Belting | 69 | Nickel Plated Poly Chain® GT® Carbon™ Idler Sprocket | 259 |
| Synchro-Power® Polyurethane Belts (T5, T10, AT5, AT10) | 70-89 | PowerGrip® GT®2 Idler Sprocket | 259 |
| Synchro-Power Polyurethane Belts Made-to-Order | 90-91 | Idler Brackets | 260 |
| Synchro-Power® Polyurethane Timing Belts (H, L) | 92-93 | Nickel Plated Idler Brackets | 260 |
| Synchro-Power Polyurethane Timing Belts Made-to-Order | 94 | Idler Bushings | 261 |
| Heavy Duty Belts | | General | |
| Super HC® XP™ (Notched Premium) Belts | 95 | Footnotes | 262 |
| Super HC® XP™ (Notched Premium) PowerBand® Belts | 96 | Decimal and Millimeter Equivalents of Fractions | 263 |
| Super HC® Belts (3V, 5V, 8V) | 97-98 | Weights and Measures | 264 |
| Super HC® Molded Notch Belts (3VX, 5VX, 8VX) | 99-101 | | |
| Super HC® PowerBand® Belts (3V, 5V, 8V) | 102-104 | | |
| Super HC® Molded Notch PowerBand® Belts (3VX, 5VX) | 105-106 | | |
| Predator® Single Belts (AP, BP, CP, 5VP, 8VP, SPBP, SPCP) | 107-109 | | |
| Predator® PowerBand® Belts (CP, 3VP, 5VP, 8VP) | 110-113 | | |
| Hi-Power® II Belts (A, B, C, D, E) | 114-120 | | |
| Hi-Power® II PowerBand® V-Belts (A, B, C, D) | 121-125 | | |
| Tri-Power® Belts (AX, BX, CX) | 126-128 | | |
| Tri-Power® PowerBand® Belts (BX, CX) | 129-130 | | |
| Metric-Power™ V-Belts | 131-134 | | |
| Hi-Power® II Dubl-V Belts (AA, BB, CC, DD) | 135-136 | | |
| Dubl-V Feather Picker Belts (AA, BB) | 137 | | |
| PowerBack® Belts | 138 | | |
| Power Curve® Belts | 139 | | |
| Micro-V® Belts (J, L, M) | 140-142 | | |
| G-Force® Belts | 143 | | |
| G-Force® C12® Belts | 144 | | |
| Multi-Speed Belts (Variable Speed) | 145-148 | | |
| Nu-T-Link® Belting | 149 | | |
| Easy-Splice V-Belting | 150 | | |
| Power Round® Belts (9/16") | 151 | | |
| Round Endless Belts (1/4", 5/16", 3/8", 7/16", 1/2", 9/16") | 152-155 | | |
| Light Duty Belts | | | |
| Truflex® V-Belts (2L, 3L, 4L, 5L) | 156-159 | | |
| PowerRated® V-Belts (67, 68, 69) | 160-162 | | |
| BladeRunner® Belts | 163-165 | | |
| Polyflex® Belts (3M, 5M, 7M, 11M) | 166-167 | | |
| Polyflex® JB® Belts (3M, 5M, 7M, 11M) | 168-172 | | |
| Synchronous Metal | | | |
| Poly Chain® GT®2 Sprockets (8M, 14M and ACHE) | 173-180 | | |
| Poly Chain® GT®2 Sprockets - Stainless Steel | 181-182 | | |
| Poly Chain® GT®2 Sprockets - Re-Bore (8MX, 14MX) | 183 | | |
| PowerGrip® GT®2 and Poly Chain® GT®2 - 5M Sprockets | 184-185 | | |
| PowerGrip® GT®2 Sprockets - 5MGT | 186-187 | | |
| PowerGrip® GT®2 Sprockets - 8M, 14M and ACHE | 188-193 | | |
| PowerGrip® GT®2 Sprockets - 2MR and 3MR | 194-197 | | |
| PowerGrip® HTD® Sprockets (3M, 5M, 20M) | 198-202 | | |
| PowerGrip® Timing Pulleys (MXL, XL, L, H) | 203-208 | | |
| Clamping Plates for Long-Length Belting | 209 | | |

Index

| DESCRIPTION | PAGE | DESCRIPTION | PAGE |
|---|---------|--|---------|
| Belts | | Metal Products | |
| BladeRunner® Belts | 163-165 | 5VS and 8VS Adjustable Speed Sheaves - QD® | 232 |
| Cotton Cleaner Belts (Special Pitch/KEVLAR® Tensile Timing Belts) | 49 | Clamping Plates for Long-Length Belting | 209 |
| Curve Saw Poly Chain® GT®2 Belts | 9 | Draftguard® Anti-Rotation Device | 210 |
| Dubl-V Feather Picker Belts (AA, BB) | 137 | Flat Idler Pulley | 258 |
| Easy-Splice V-Belting | 150 | Idler Brackets | 260 |
| G-Force® Belts | 143 | Idler Bushings | 261 |
| G-Force® C12® Belts | 144 | JVS Adjustable Speed Sheaves - Bored-to-Size | 231 |
| Hi-Power® II Belts (A, B, C, D, E) | 114-120 | Light Duty Sheaves - Bored-to-Size | 235-238 |
| Hi-Power® II Dubl-V Belts (AA, BB, CC, DD) | 135-136 | Light Duty Sheaves - QT Bushed | 240-242 |
| Hi-Power® II PowerBand® V-Belts (A, B, C, D) | 121-125 | Light Duty Sheaves - Variable Pitch | 239 |
| Long-Length Poly Chain® GT® Carbon™ Belting | 65 | Multi-Duty® Sheaves - QD® | 220-230 |
| Long-Length PowerGrip® GT®2 Belting | 66 | Nickel Plated Idler Brackets | 260 |
| Long-Length PowerGrip® HTD® Belting | 67 | Nickel Plated Poly Chain® GT® Carbon™ Idler Sprocket | 259 |
| Long-Length PowerGrip® Timing Belting | 68 | Poly Chain® GT® Carbon™ Idler Sprocket | 259 |
| Metric-Power™ V-Belts | 131-134 | Poly Chain® GT®2 Sprockets - Re-Bore (8MX, 14MX) | 183 |
| Micro-V® Belts (J, L, M) | 140-142 | Poly Chain® GT®2 Sprockets - Stainless Steel | 181-182 |
| Multi-Speed Belts (Variable Speed) | 145-148 | Poly Chain® GT®2 Sprockets (8M, 14M and ACHE) | 173-180 |
| Nu-T-Link® Belting | 149 | PowerGrip® GT®2 and Poly Chain® GT®2 - 5M Sprockets | 184-185 |
| Poly Chain® Carbon™ Volt™ Belts (8M, 14M) | 2-3 | PowerGrip® GT®2 Idler Sprocket | 259 |
| Poly Chain® GT® Carbon™ - 5M | 11 | PowerGrip® GT®2 Sprockets - 2MR and 3MR | 194-197 |
| Poly Chain® GT® Carbon™ - Extended Length Belts | 8 | PowerGrip® GT®2 Sprockets - 5MGT | 186-187 |
| Poly Chain® GT® Carbon™ Belts - 8M Short Length | 10 | PowerGrip® GT®2 Sprockets - 8M, 14M and ACHE | 188-193 |
| Poly Chain® GT® Carbon™ Belts (8M, 14M) | 4-7 | PowerGrip® HTD® Sprockets (3M, 5M, 20M) | 198-202 |
| Poly Chain® HTD® Belts (14M) | 12-13 | PowerGrip® Timing Pulleys (MXL, XL, L, H) | 203-208 |
| Polyflex® Belts (3M, 5M, 7M, 11M) | 166-167 | QD® Bushings - English Sizes | 243-245 |
| Polyflex® JB® Belts (3M, 5M, 7M, 11M) | 168-172 | QD® Bushings - Metric Sizes | 247 |
| Power Curve® Belts | 139 | QD® VS Bushings - English Sizes (5VS, 8VS) | 246 |
| Power Round® Belts (9/16") | 151 | QT-Type Bushings | 257 |
| PowerRated® V-Belts (67, 68, 69) | 160-162 | Stainless Steel Taper-Lock® Bushings - English Sizes | 253 |
| PowerBack® Belts | 138 | Stainless Steel Taper-Lock® Bushings - Metric Sizes | 255 |
| PowerGrip® GT®2 Twin Power® Belts - 3MR and 5MR | 50-51 | Super HC® Sheaves - QD® (3V, 5V, 8V) | 211-219 |
| PowerGrip® GT®2 Twin Power® Belts - 8M and 14M | 52-55 | SVS Adjustable Speed Sheaves - Bored-To-Size | 233-234 |
| PowerGrip® GT®3 Belts - 2M and 3M | 15-18 | Taper-Lock® Bushings - English Sizes | 248-252 |
| PowerGrip® GT®3 Belts - 5M | 19-20 | Taper-Lock® Bushings - Metric Sizes | 254 |
| PowerGrip® GT®3 Belts - 8M, 14M and ACHE | 21-25 | Taper-Lock® Bushings - Reborable | 256 |
| PowerGrip® HTD® Belts (3M, 5M, 8M, 14M, 20M) | 26-36 | | |
| PowerGrip® HTD® Twin Power® Belts (3M, 5M) | 56-57 | | |
| PowerGrip® Timing Belts (MXL, XL, L, H, XH, XXH) | 37-48 | | |
| PowerGrip® TruMotion® Belts | 14 | | |
| PowerGrip® Twin Power® Timing Belts (TPXL, TPL, TPH) | 58-64 | | |
| Predator® PowerBand® Belts (CP, 3VP, 5VP, 8VP) | 110-113 | | |
| Predator® Single Belts (AP, BP, CP, 5VP, 8VP, SPBP, SPCP) | 107-109 | | |
| Round Endless Belts (1/4", 5/16", 3/8", 7/16", 1/2", 9/16") | 152-155 | | |
| Super HC® Belts (3V, 5V, 8V) | 97-98 | | |
| Super HC® Molded Notch Belts (3VX, 5VX, 8VX) | 99-101 | | |
| Super HC® Molded Notch PowerBand® Belts (3VX, 5VX) | 105-106 | | |
| Super HC® PowerBand® Belts (3V, 5V, 8V) | 102-104 | | |
| Super HC® XP™ (Notched Premium) Belts | 95 | | |
| Super HC® XP™ (Notched Premium) PowerBand® Belts | 96 | | |
| Synchro-Power Polyurethane Belts Made-to-Order | 90-91 | | |
| Synchro-Power Polyurethane Timing Belts Made-to-Order | 94 | | |
| Synchro-Power® Polyurethane Belting | 69 | | |
| Synchro-Power® Polyurethane Belts (T5, T10, AT5, AT10) | 70-89 | | |
| Synchro-Power® Polyurethane Timing Belts (H, L) | 92-93 | | |
| Tri-Power® Belts (AX, BX, CX) | 126-128 | | |
| Tri-Power® PowerBand® Belts (BX, CX) | 129-130 | | |
| Truflex® V-Belts (2L, 3L, 4L, 5L) | 156-159 | | |

General Information and Glossary

Dimensions

Gates reserves the right to make changes in design or dimensions of standard products to improve their quality or to accommodate improved manufacturing techniques. All dimensions in this catalog are for reference only.

Weights

All weights are close approximations and may vary slightly from actual weights.

Glossary

Ordering Terminology

PBL — “Private Brand Label” of Gates standard line belts. Available upon customer request. PBL products are made-to-order and may require additional lead times and cost.

Standard/Non-Stock Belt Products — Products do not require minimum production quantities but may require production lead time and items are not returnable. Check with customer service for details.

Standard/Non-Stock Metal Products — Products do not require minimum production quantities but may require production lead time and items are not returnable. Check with customer service for details.

Stock Belt Products — Products in this catalog are stock unless otherwise noted.

Belt Products Terminology

Aramid Tensile Members — Available in several stock lines and on an MTO basis. Also referred to as Kevlar® or Flexten®.

Arched Top — Construction feature that provides superior strength to prevent distortion of the tensile section.

Banded — Belts with a fabric cover over the belt body. Also referred to as wrapped or covered belts.

Bandless — Belts with no fabric cover. Also referred to as cut edge, raw edge or machined edge.

Bareback — Belts manufactured without rubber material being applied to the outside surface of the banded belt. Also known as low friction, dry cover or clutching cover.

Belt Body — The main part of any belt that generally surrounds, supports and protects the load-carrying tensile cords.

Belting — see **Long Length**.

Carbon Tensile Member (U.S. Patent 5,807,194 & 5,112,282) — Currently available in Poly Chain® GT® Carbon™ belts. Gates provides the only belt on the market utilizing carbon fiber tensile in a dynamic application.

Compound — Mixtures of rubber, plastics and other materials that are used to form the body of the belt.

Concave Sides (U.S. Patent 1813698) — Construction that allows the belt to make uniform contact with sheave groove, thus distributing wear uniformly.

Datum Diameter — A system that defines specific sheave and belt dimensions, previously known as the pitch system (diameter or length) for classical belts and sheaves.

Effective Length (E.L.) — A standard length measurement that accounts for varying construction and manufacturing methods in the industry. The length is determined by adding the effective circumference to twice the measured center distance using sheaves and an applied tension specified by the RMA.

Eliminator® Belt — Gates trade name for a high-performance, polyurethane, synchronous belt designed to replace RPP® belts.

Endless — also known as **truly endless**, a belt manufactured in a continuous circle, never utilizing a splice or joint.

EPDM — ethylene propylene diene monomer. A unique rubber construction that provides improved performance and heat resistance.

Extended Length™ — a descriptor of Poly Chain® GT® Carbon™ belts that are longer than the standard catalog lengths. Extended Length is achieved through a special manufacturing process. Design support is available from Product Application for drives needing Gates Extended Length solutions.

Transportation Policy

All prices are F.O.B. point of shipment. The “F.O.B. point of shipment” term means that the title to the goods, as well as the full responsibility of all aspects of the shipment, passes to the consignee (customer) at time of shipment, and any tracking or claims against the carrier for loss or damage become the responsibility of the consignee.

Aircraft Policy

WARNING! BE SAFE! Do not use Gates belts, pulleys or sprockets on aircraft propeller or rotor drive systems or in-flight accessory drives. Gates products are not designed or intended for aircraft use.

Flex Bonded Cord — Strong chemical bond between rubber body and tensile cord. Allows for absorption of bending stress and long service life. Avoids premature failure due to cord separation.

Flex-Weave® Cover (U.S. Patent 2519590) — Nylon and cotton blended fabric construction that increases flexibility and reduces cover stress providing longer cover life and longer protection of belt core.

Gates Curves — Belts with this feature compensate for effects that occur when a V-belt bends in a sheave. Curved belts feature concave sides, radius relief and arched tops.

Hi-Power® II Belt — Gates trade name for belts commonly referred to as classical, wedge or conventional.

Idler — 1) A non-powered pulley, sheave, sprocket or wheel around which a belt travels. 2) A non-powered roll or rolls supporting a belt.

Long Length — also known as belting, the same construction as a conventional belt but not in a continuous circle. Long Length belting is used in applications such as rack systems, linear actuators, automatic commercial door openers, garage door openers, etc.

Metric Power™ Belt — Gates trade name for molded notch, narrow and classical section V-belts in metric sizes.

Micro-V® Belt — Gates trade name for belts commonly referred to as V-ribbed, multi-rib and Poly-V.

Molded Notch Belts — Often referred to as cogged, notched or cut notch belts. Notches reduce bending stress.

Multi-Speed™ Belts — Gates trade name for products commonly referred to as variable speed, wide range variable speed, adjustable speed and variable pitch.



Oil and Heat Resistance (OHR) — Property of the belt that allows it to withstand the effects of oil, heat, sunlight, ozone, weather and aging.

Outside Circumference (O.C.) — The circumference (total length) measured around the outside of the belt, typically with a tape, while the belt is still on the drive. This measurement can be used to determine the closest belt length when a part number is not available.

Poly Chain® GT® Belt — Gates trade name for a premium, high torque, polyurethane, synchronous belt with aramid tensile cord.

Poly Chain® GT® Carbon™ Belt — Gates trade name for the ultimate, high-torque, polyurethane, synchronous belt utilizing carbon cord as the tensile member.

Polyflex® Belt — a Gates trademark for a polyurethane V-belt that is often used in high precision drives, such as machine tools and small appliances.

Polyflex® JB® Belt — a Gates trademark for two or more joined polyurethane V-belts.

PowerRated® Belt — Gates trade name for a line of premium fractional horsepower belts.

PowerBack® Belt — Gates trade name for a specialty construction V-belt with a flat back for driving roll-to-roll conveyor applications.

PowerBand® Belt — Gates trade name for two or more belts joined together at the top of the belt. It is also referred to as a joined or banded belt.

Power Curve® Belt — Gates trade name for a special flexible construction V-belt for curved conveyor applications.

PowerGrip® Belt — Gates trade name for several synchronous product lines including timing, HTD®, GT®2, GT®3, and Twin Power®.

PowerGrip® HTD®/GT®2/GT®3 Belts — Gates trade name for a high-torque drive system with a curvilinear tooth profile. These belts are often referred to as Gilmer, timing, positive or synchronous belts. They are sometimes referred to, in error, as cogged or notched belts.

Predator® Belts — Gates trade name for the highest performing V-belts. Predator belt construction is available in narrow and classical profiles and single and PowerBand® configurations.

Radius Relief — Construction that minimizes corner wear and works with concave sides to assure proper support of the belt.

Super HC®/Super HC® Molded Notch Belt — Gates trade name for a drive system commonly known as narrow or deep wedge.

Superior Length Stability — Assures V-belts require less re-tensioning and take-up during their service.

Synchro-Power® — Gates trade name for endless polyurethane construction belts, also known as Gates Mectrol® belts. Also available as long length belting in specialized constructions such as food grade, heavy backing, textured backing, and utilizing various tensile cord materials.

Synchronous — Generic term used for power transmission drive systems utilizing toothed belts in mesh with grooved pulleys or sprockets. These systems are also referred to as Gilmer or timing.

Tensile Cord — V-belts typically use special polyester cords, with aramid used in some specialty belts, such as Predator® and PowerRated® belts. Synchronous belts generally have fiberglass cords, except for the carbon fiber used in Poly Chain® GT® Carbon™ belts. Steel is rarely used, except in some special or Made-to-Order synchronous belts.

Tooth Facing — Specially woven and treated nylon fabric that reduces friction of the belt in the sprocket and resists abrasion and other tooth damage.

Tri-Power® Belts — Gates trade name for molded notch classical section or conventional belts.

Truflex® Belts — Gates trade name for Fractional Horsepower (FHP) light duty belts.

PowerGrip® TruMotion® Belts — Gates trade name for white rubber belts for use on light power and precision applications with cleanliness requirements.

Truncated Rib — Construction profile that provides improved crack resistance, higher load-carrying capacity and improved flex fatigue resistance.

Twin Power® Belts — Gates trade name for PowerGrip® rubber synchronous belts ideal for serpentine applications. Twin Power belts are specially made to handle the same load capacity on either side of the belt.

V80® — Gates trade name for V-belt matching system that meets ARPM tolerances. Any V80® belt will match and perform with any other V80® belt of the same size and type.

Wrapped — see **Banded**.

Power Transmission Metal Terminology

Bushings — A hub system that allows adaptation of sheaves, pulleys and sprockets to varying shaft sizes. Common bushing systems offered by Gates are QD® and Taper-Lock®.

Idler — an adjustable free-wheeling pulley used to apply pre-tension to belts and take up slack.

Pulley — A common term that usually refers to sheaves, sprockets or pulleys. The term correctly used applies to metal used for PowerGrip® timing belts.

Sheaves — Metal products with “V” shaped grooves specially designed for various types of V-belts.

Sprockets — Metal products for high-torque synchronous power transmission systems, such as PowerGrip® GT®3 and Poly Chain® GT® Carbon™. Sprockets are specifically designed to transmit power with only the corresponding belt product line.

The following Super HC®, Hi-Power® II and Tri-Power® belts are V80® belts:

Molded Notch Construction Single V-Belts

| | |
|-----------------|--------------------|
| 3VX250-3VX1400 | XPA630-XPA3000 |
| 5VX350-5VX2000 | XPB1250-XPB3000 |
| 8VX1000-8VX2000 | XPC1800-XPC3000 |
| AX21-AX173 | 10X530LI-10X1750LI |
| BX24-BX300 | 13X715LI-13X4000LI |
| CX51-CX360 | 17X875LI-17X8636LI |
| XPZ604-XPZ3000 | |

Banded Construction Single V-Belts

| | |
|---------------|------------------|
| 3V250-3V1400 | D98-D660 |
| 5V500-5V3550 | E144-E660 |
| 8V1000-8V6000 | SPZ3150-SPZ3550 |
| A24-A200 | SPA3070-SPA4500 |
| B28-B472 | SPB3150-SPB8000 |
| C44-C450 | SPC3150-SPC10600 |

Molded Notch Construction PowerBand® V-Belts

| | |
|----------------|------------|
| 3VX250-3VX1400 | BX42-BX158 |
| 5VX500-5VX2000 | CX75-CX173 |

Banded Construction PowerBand® V-Belts

| | |
|---------------|-----------|
| 3V800-3V1400 | A62-A180 |
| 5V670-5V3550 | B62-B315 |
| 8V1000-8V6000 | C60-C420 |
| | D144-D660 |

Services and Resources

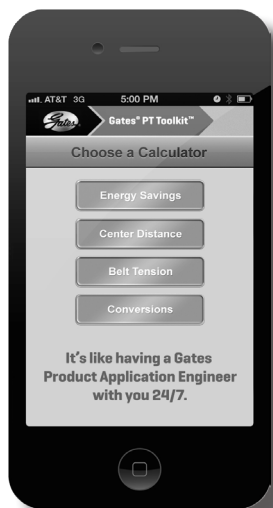
Gates is committed to providing you the best power transmission products and tools to quickly find the part you need, design better drives, keep your systems up and running, and so much more.

Case Study Library – over 200 actual case studies document cost savings from upgraded belt drive solutions – increased uptime, reduced maintenance, and energy savings gained.

- www.gates.com/ptcasestudies

PT Toolkit App - The PT Toolkit app bundles together some of the most commonly-referenced power transmission calculations for quick and easy access. All four calculators are accessible 24/7 in the office, during remote field visits, and anywhere in-between. In offline mode, calculator results can be generated and saved. When wireless service is restored, email calculations directly to customers, colleagues, or yourself.

- www.gates.com/pttoolkit



Preventive Maintenance Training – Proper installation and preventive maintenance procedures contribute to bottom line savings by reducing downtime and increasing production. Gates offers onsite Preventive Maintenance training for you and your staff. To schedule training or to learn more, contact your authorized Gates distributor and request onsite Preventive Maintenance Training from Gates.

You can also do the training yourself by ordering Gates Preventive Maintenance (PM) Training Kit. The complete kit provides tools and recommendations to keep your belt drives running efficiently.

- Included in the training kit:
- PM DVD
- Single Barrel Tension Testers
- Sheave Gauges
- Gates Preventive Maintenance Manuals
- Gates Pocket Catalogs
- Gates Power Transmission Catalog
- Belt Failure Wall Chart
- Belt Identification Poster
- Certification Quiz
- To order training for 10 people, please contact your Gates authorized distributor and ask for product number 9975-0002 or visit www.gates.com/pmkit to order direct from Gates.

Services and Resources

Onsite Plant and Energy Saving Surveys – Where could cost savings be easily achieved at your facility? Work with Gates to find out specific options for improving productivity, reducing downtime and reducing your energy bill. To schedule an onsite survey or to learn more, contact your authorized Gates distributor and request onsite Plant and Energy Savings Surveys from Gates.



Design Flex® Pro™ and Design Flex® Mobile™ – If you currently design 2-point drives using manuals, then you know how long it can take and that you only get one solution. Use Gates Design Flex® Pro™ program and design a drive in minutes. Get every possible drive solution that fits your design parameters and print, email or create a PDF of the design specifications. Design Flex Pro is downloaded to your computer while Design Flex Mobile is a web app tool for devices with an internet connection.

- www.gates.com/drivedesign

Design IQ™ – This program provides a blank slate for designing multi-point and complex serpentine belt drives. Utilizing a specific Gates product that you have identified, as well as your drive specifications, the software will calculate belt tension, shaft load, belt length and more.

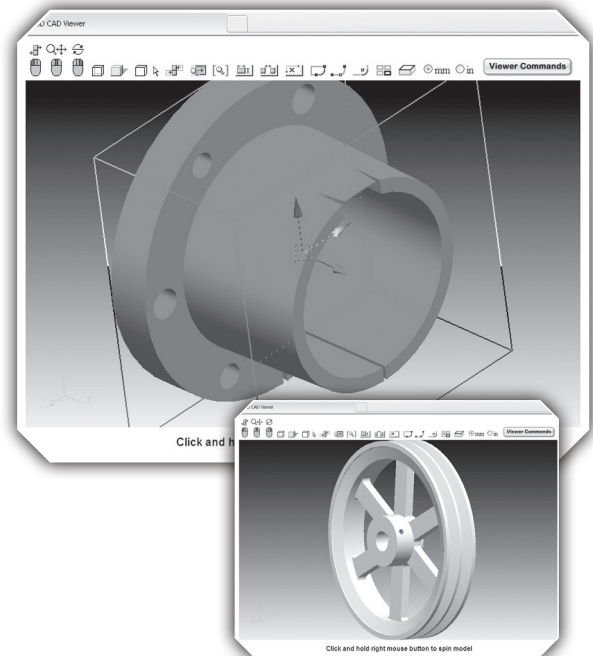
- www.gates.com/drivedesign

eLearning – Email Training@gates.com for more information about the online Power Transmission training and employee development courses available through Gates Performance Learning Center. Expand your knowledge base and that of your employees via this interactive web-based tool. With progress tracking and quizzes built in, employee training has never been easier.

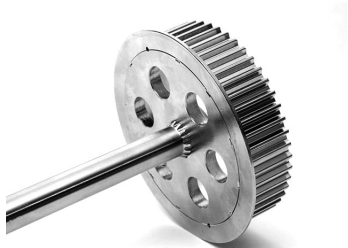
- www.gates.com/ptlearning

Online Catalog and CAD models – PartView™ is Gates web-based interactive product catalog for industrial belts and pulleys. Pick the right parts via a high-speed, easy-to-use search engine and obtain solid models, specification sheets and additional product information.

- www.gates.com/partview



Made-to-Order Metals



When standard products won't work, call the Gates Made-To-Order Metals Team. Our dedicated made-to-order metal staff specializes in providing prototype and production pulleys, sheaves and sprockets to meet your design expectations. No order is too large or too small.

- **Pulleys, Sheaves and Sprockets** – All Gates Synchronous Profiles and Pitches, Micro-V® and V-belt, Plain or Profiled Idlers
- **Bores** – Plain, Straight, Tapered, Splined or any special bore. Manufactured to accept Taper-Lock®, Ringfeder®, QD, Torque Tamer, Trantorque® or other special bushings
- **Styles** – Bar Stock, Idlers, Ringfeder Connections, Torque Tamers, Custom Configurations, Special Hubs and more
- **Material** – Aluminum, Steel, Ductile, Cast iron, Phenolic, Stainless Steel or Plastics
- **Finishes** – Hard Coat, Food Grade, Zinc, Black Anodize, Nickel Plating, Painted, Custom Plating or any Special Coatings
- **Other Services** – Sub-Assemblies, Press Bearings, Sprocket/Bushing Balance and Index Marking
- **Processes** – Hob Cutting, Shaper Cutting, Die Casting and Molding

For more information
call 800-709-6001
or email us at
makemymetal@gates.com

www.gates.com/mtometals



Preventive Maintenance Tools

Proper tension, installation and maintenance can extend belt life and reduce costly downtime. Some of Gates most popular preventive maintenance tools include:

A. Sonic Tension Meter - Model 508C

Product No. 7420-0508

For extremely accurate belt tension measuring, the Gates Sonic Tension Meter is an electronic device that measures the natural frequency of a free stationary belt span and instantly computes the static belt tension based upon the belt span length, belt width, and belt type. The Sonic Tension Meter can be used with synchronous and V-belts. Other features include:

- Output readings can be switched between pounds, kilograms, newtons and hertz.
- Auto gain control automatically adjusts meter sensitivity.
- Auto frequency range filters for background noise.
- Frequency range from 10 - 5,000 Hz.

B. Kriket Gauges

Product No. 7401-0071

For tensioning automotive V-belts up to and including 7/8" top width

Product No. 7401-0072

For tensioning automotive V-ribbed belts up to 8 ribs in width.

C. Pencil Type Tension Tester

Product No. 7401-0076

Maximum deflection force: 30 lbs. For use with all small V-belts and synchronous belts.

D. Double Barrel Tension Tester

Product No. 7401-0075

Maximum deflection force: 66 lbs. For use with all multiple V-belts and large synchronous belts.

E. Five Barrel Tension Tester

Product No. 7401-0079

Maximum deflection force: 165 lbs. For use with multiple V-belts and large synchronous belts.

Sonic Tension Meter and Accessories

| Product No. | Description |
|-------------|--|
| 7420-0205 | Flat Flexible Sensor |
| 7420-0206 | Cord Sensor |
| 7420-0212 | Inductive Sensor (Magnets Included) |
| 7420-0508 | Sonic Tension Meter Model 508C |
| 7420-1212 | Replacement Magnets for Inductive Sensor |

Preventive Maintenance Tools

| Product No. | Description |
|-------------|--|
| 9975-0002 | PM Kit |
| 7420-2000 | Belt Installation & Maintenance Tool Box |



TENSION TESTERS

F. EZ Align® Precision Laser Alignment Devices

Product No. 7420-1000 - Red Laser

Product No. 7420-3000 - Green Laser

Identifies common types of pulley misalignment.

G. Truflex® and PowerRated® Belt Length Finder

Product No. 7401-0012

Measures FHP belts up to 107" to determine equivalent Truflex or PowerRated belt numbers.

H. Sheave Gauges

Product No. 7401-0014 - English

Product No. 7401-0013 - Metric

Helps to identify worn sheaves and damaged belts.

Tensioning and Alignment Devices

| Product No. | Description |
|-------------|--|
| 7401-0076 | 30 Lb. Pencil Type |
| 7401-0075 | 66 Lb. Double Barrel |
| 7401-0079 | 165 Lb. Five Barrel |
| 7401-0014 | Sheave Gauge - English |
| 7401-0013 | Sheave Gauge - Metric |
| 7401-0012 | Truflex & PowerRated Belt Length Finder |
| 7401-0071 | Kriket Belt Tension Tester - .30 Lbs. |
| 7401-0072 | Kriket II Belt Tension Tester - .32 Lbs. |
| 7420-1000 | EZ Align Laser Alignment Device-Red |
| 7420-3000 | EZ Align Laser Alignment Device-Green |

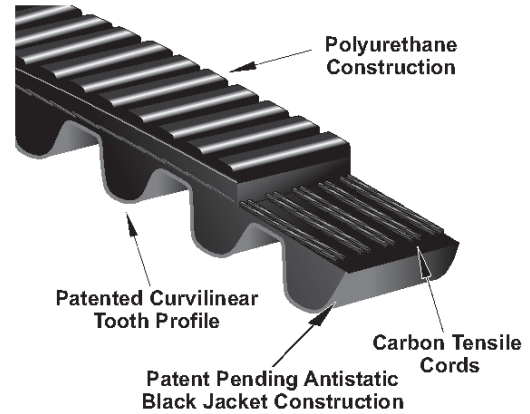
Belt Displays

| | |
|-----------|---------------------------------|
| 7653-0021 | HVAC-R Belt Display w/out Belts |
| 7653-0003 | HVAC-R Belt Display with Belts |

Poly Chain® Carbon™ Volt™ Belts

The power you want, the safety you never had.

Antistatic power transmission belts are a must in volatile environments. Power transmission belts that meet the ISO 9563 standard for static conductivity are only required to meet that level when new. As soon as the belts are in use, their antistatic properties decrease - dramatically. Now you have a safe - and stronger - option. Gates Poly Chain Carbon Volt belts delivers the power and performance you expect only from a Gates Poly Chain system, as well as an industry-leading reliable dissipation of electrostatic charges.



Markets/Applications

Any application requiring antistatic drive systems that meet ISO 9563 standards, including those found in oil, gas and chemical refining, grain processing, or electronically sensitive environments.

Features/Advantages

- Meets ISO 9563 standard for static conductivity when new and maintains it longer than any antistatic belt currently on the market.
- All the same maintenance-free and performance advantages offered by Poly Chain GT Carbon belts.
 - Significantly reduces maintenance costs
 - Equivalent capacity to roller chain drives in the same width
 - Fast drive conversion payback

Availability

- Sizes listed below are either standard stock or made to order, no minimum required.
- Standard Poly Chain GT Carbon lengths and widths can be manufactured in Volt construction as a made-to-order with drum lot minimum required. Contact Customer Service for minimums and lead time.

Recommended Sprockets

Use Taper-Lock® type Poly Chain GT2 Sprockets when designing a new Poly Chain Carbon Volt belt drive system.

Notes

Poly Chain Carbon Volt belt part numbers follow a similar notation to Poly Chain GT Carbon belts: part number 14GTV-4410-20 denotes a 14mm pitch, Poly Chain Carbon Volt antistatic construction, 4410mm pitch length and 20mm width.

Poly Chain Carbon Volt belts are antistatic in accordance with ISO 9563. When belt drive systems are located in potentially hazardous environments, safe and reliable dissipation of electrostatic charges is critical - a secondary means of dissipation such as static grounding brushes is recommended.

Product No. Series 9239

8mm Pitch — 21mm Wide

| Part No. | Product No. | Number of Teeth | Pitch Length (in) | Weight (Lbs.) | Part No. | Product No. | Number of Teeth | Pitch Length (in) | Weight (Lbs.) |
|--------------|-------------|-----------------|-------------------|---------------|--------------|-------------|-----------------|-------------------|---------------|
| 8GTV-1600-21 | 9239-1200 | 200 | 62.99 | 1.00 | 8GTV-2800-21 | 9239-1350 | 350 | 110.24 | 1.75 |
| 8GTV-1760-21 | 9239-1220 | 220 | 69.29 | 1.15 | 8GTV-2840-21 | 9239-1355 | 355 | 111.81 | 1.80 |
| 8GTV-1792-21 | 9239-1224 | 224 | 70.55 | 1.15 | 8GTV-3048-21 | 9239-1381 | 381 | 120.00 | 1.90 |
| 8GTV-2000-21 | 9239-1250 | 250 | 78.74 | 1.25 | 8GTV-3200-21 | 9239-1400 | 400 | 125.98 | 2.05 |
| 8GTV-2200-21 | 9239-1275 | 275 | 86.61 | 1.38 | 8GTV-3280-21 | 9239-1410 | 410 | 129.13 | 2.10 |
| 8GTV-2240-21 | 9239-1280 | 280 | 88.19 | 1.40 | 8GTV-3600-21 | 9239-1450 | 450 | 141.73 | 2.25 |
| 8GTV-2400-21 | 9239-1300 | 300 | 94.49 | 1.50 | 8GTV-4000-21 | 9239-1500 | 500 | 157.48 | 2.55 |
| 8GTV-2520-21 | 9239-1315 | 315 | 99.21 | 1.60 | 8GTV-4480-21 | 9239-1560 | 560 | 176.38 | 2.80 |
| 8GTV-2600-21 | 9239-1325 | 325 | 102.36 | 1.65 | | | | | |

8mm Pitch — 36mm Wide

| Part No. | Product No. | Number of Teeth | Pitch Length (in) | Weight (Lbs.) | Part No. | Product No. | Number of Teeth | Pitch Length (in) | Weight (Lbs.) |
|--------------|-------------|-----------------|-------------------|---------------|--------------|-------------|-----------------|-------------------|---------------|
| 8GTV-1600-36 | 9239-2200 | 200 | 62.99 | 1.45 | 8GTV-2240-36 | 9239-2280 | 280 | 88.19 | 1.90 |
| 8GTV-1760-36 | 9239-2220 | 220 | 69.29 | 1.60 | 8GTV-2400-36 | 9239-2300 | 300 | 94.49 | 2.00 |
| 8GTV-1792-36 | 9239-2224 | 224 | 70.55 | 1.65 | 8GTV-2520-36 | 9239-2315 | 315 | 99.21 | 2.15 |
| 8GTV-2000-36 | 9239-2250 | 250 | 78.74 | 1.70 | 8GTV-2600-36 | 9239-2325 | 325 | 102.36 | 2.30 |
| 8GTV-2200-36 | 9239-2275 | 275 | 86.61 | 1.88 | 8GTV-2800-36 | 9239-2350 | 350 | 110.24 | 2.40 |

Poly Chain[®] Carbon[™] Volt[™] Belts

Product No. Series 9239 (continued)

8mm Pitch — 36mm Wide (continued)

| Part No. | Product No. | Number of Teeth | Pitch Length (in) | Weight (Lbs.) |
|--------------|-------------|-----------------|-------------------|---------------|
| 8GTV-2840-36 | 9239-2355 | 355 | 111.81 | 2.50 |
| 8GTV-3048-36 | 9239-2381 | 381 | 120.00 | 2.62 |
| 8GTV-3200-36 | 9239-2400 | 400 | 125.98 | 2.70 |
| 8GTV-3280-36 | 9239-2410 | 410 | 129.13 | 2.72 |

| Part No. | Product No. | Number of Teeth | Pitch Length (in) | Weight (Lbs.) |
|--------------|-------------|-----------------|-------------------|---------------|
| 8GTV-3600-36 | 9239-2450 | 450 | 141.73 | 2.95 |
| 8GTV-4000-36 | 9239-2500 | 500 | 157.48 | 3.25 |
| 8GTV-4480-36 | 9239-2560 | 560 | 176.38 | 3.60 |

14mm Pitch — 20mm Wide

| Part No. | Product No. | Number of Teeth | Pitch Length (in) | Weight (Lbs.) |
|---------------|-------------|-----------------|-------------------|---------------|
| 14GTV-994-20 | 9239-4071 | 71 | 39.13 | 1.30 |
| 14GTV-2100-20 | 9239-4150 | 150 | 82.68 | 1.90 |
| 14GTV-2240-20 | 9239-4160 | 160 | 88.19 | 1.98 |
| 14GTV-2310-20 | 9239-4165 | 165 | 90.95 | 2.05 |
| 14GTV-2380-20 | 9239-4170 | 170 | 93.70 | 2.10 |
| 14GTV-2450-20 | 9239-4175 | 175 | 96.46 | 2.15 |
| 14GTV-2520-20 | 9239-4180 | 180 | 99.21 | 2.20 |
| 14GTV-2590-20 | 9239-4185 | 185 | 101.97 | 2.20 |
| 14GTV-2660-20 | 9239-4190 | 190 | 104.72 | 2.25 |

| Part No. | Product No. | Number of Teeth | Pitch Length (in) | Weight (Lbs.) |
|---------------|-------------|-----------------|-------------------|---------------|
| 14GTV-2800-20 | 9239-4200 | 200 | 110.24 | 2.30 |
| 14GTV-3136-20 | 9239-4224 | 224 | 123.46 | 2.50 |
| 14GTV-3304-20 | 9239-4236 | 236 | 130.08 | 2.55 |
| 14GTV-3360-20 | 9239-4240 | 240 | 132.28 | 2.60 |
| 14GTV-3500-20 | 9239-4250 | 250 | 137.80 | 2.70 |
| 14GTV-3850-20 | 9239-4275 | 275 | 151.58 | 2.85 |
| 14GTV-3920-20 | 9239-4280 | 280 | 154.33 | 2.95 |
| 14GTV-4326-20 | 9239-4309 | 309 | 170.32 | 3.15 |
| 14GTV-4410-20 | 9239-4315 | 315 | 173.62 | 3.20 |

14mm Pitch — 37mm Wide

| Part No. | Product No. | Number of Teeth | Pitch Length (in) | Weight (Lbs.) |
|---------------|-------------|-----------------|-------------------|---------------|
| 14GTV-994-37 | 9239-5071 | 71 | 39.13 | 1.60 |
| 14GTV-2100-37 | 9239-5150 | 150 | 82.68 | 2.70 |
| 14GTV-2240-37 | 9239-5160 | 160 | 88.19 | 2.85 |
| 14GTV-2310-37 | 9239-5165 | 165 | 90.95 | 2.90 |
| 14GTV-2380-37 | 9239-5170 | 170 | 93.70 | 3.00 |
| 14GTV-2450-37 | 9239-5175 | 175 | 96.46 | 3.10 |
| 14GTV-2520-37 | 9239-5180 | 180 | 99.21 | 3.20 |
| 14GTV-2590-37 | 9239-5185 | 185 | 101.97 | 3.25 |
| 14GTV-2660-37 | 9239-5190 | 190 | 104.72 | 3.35 |

| Part No. | Product No. | Number of Teeth | Pitch Length (in) | Weight (Lbs.) |
|---------------|-------------|-----------------|-------------------|---------------|
| 14GTV-2800-37 | 9239-5200 | 200 | 110.24 | 3.40 |
| 14GTV-3136-37 | 9239-5224 | 224 | 123.46 | 3.65 |
| 14GTV-3304-37 | 9239-5236 | 236 | 130.08 | 3.85 |
| 14GTV-3360-37 | 9239-5240 | 240 | 132.28 | 3.85 |
| 14GTV-3500-37 | 9239-5250 | 250 | 137.80 | 3.95 |
| 14GTV-3850-37 | 9239-5275 | 275 | 151.58 | 4.25 |
| 14GTV-3920-37 | 9239-5280 | 280 | 154.33 | 4.35 |
| 14GTV-4326-37 | 9239-5309 | 309 | 170.32 | 4.70 |
| 14GTV-4410-37 | 9239-5315 | 315 | 173.62 | 4.75 |

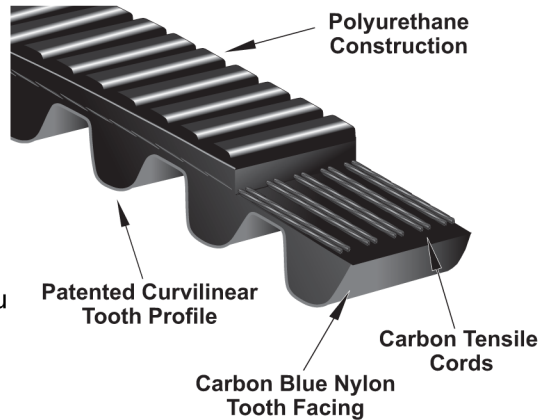
POLY CHAIN BELTS

Poly Chain® GT® Carbon™ Belts

Poly Chain GT Carbon Belts — Nothing Tougher.

Give yourself a competitive advantage by designing in the Gates Poly Chain GT Carbon drive system instead of roller chain in your next power transmission application.

The patented use of Carbon Fiber as the tensile cord in this belt provides increased horsepower rating for greater power density and compactness and increased flexibility, allowing the use of backside idlers. When combined with Gates Poly Chain® GT®2 Sprockets, you have a lightweight, long-lasting, maintenance-free system that's more than a match for roller chain.



Markets/Applications

All industrial markets, especially suited to replace roller chain drives. Narrow width minimizes reducer overhung loads and left-justified hubs on Poly Chain GT2 sprockets accommodate short shaft lengths.

Features/Advantages

- Maintenance-free, clean solution for roller chain drive conversion.
 - Significantly reduces maintenance costs
 - Equivalent capacity to roller chain drives in the same width
 - Easy rust-free wash-down with Gates Stainless Steel hardware
 - Fast drive conversion payback
 - Quieter than roller chain drives
- New construction provides up to 55% more low-speed capacity than the original PCGT construction and 30% more than PCGT2.
- Gates **curvilinear tooth profile** provides high shear strength, noise reduction, and improved load carrying capacity.
- Robust **carbon tensile cord** combines minimal stretch with extraordinary strength and load carrying capacity, while absorbing shock and surge loads.
- Durable **polyurethane construction** resists chemicals, oil, pollutants, and abrasion.
- **Nylon tooth facing** reduces friction and eliminates the need for lubrication.
- Fully operational in temperature extremes of -65°F to +185°F (-54°C to +85°C).

Recommended Sprockets

Poly Chain GT2 Sprockets - 8M and 14M

Notes

Poly Chain GT Carbon belts can be used on existing drives as replacement for previous generation Poly Chain belts.

Poly Chain GT Carbon belt part numbers are identical to those of Poly Chain GT2: part number 8MGT-1000-21 denotes an 8mm pitch, 1000mm pitch length and 21mm width.

Belt **pitch** is the distance in millimeters between two adjacent tooth centers as measured on the pitch line of the belt. Belt **pitch length** is the total length (circumference) in millimeters as measured along the pitch line. The theoretical pitch line of a Poly Chain GT Carbon belt lies within the tensile member.

WARNING: Use of non-Gates manufactured sprockets is not recommended: Gates Poly Chain GT2 sprockets are manufactured, specified and tested to fully support the full capabilities of the Poly Chain GT Carbon belt. Product performance cannot be guaranteed when non-Gates sprockets are used.

Always utilize Taper-Lock® type Poly Chain GT2 Sprockets when designing a new Poly Chain GT Carbon belt drive system.

Product No. Series 9274

8mm Pitch — 12mm Wide

| Part No. | Product No. | Number of Teeth | Pitch Length (in) | Weight (Lbs.) | Part No. | Product No. | Number of Teeth | Pitch Length (in) | Weight (Lbs.) |
|--------------|-------------|-----------------|-------------------|---------------|--------------|-------------|-----------------|-------------------|---------------|
| 8MGT-640-12 | 9274-0080 | 80 | 25.20 | .40 | 8MGT-1120-12 | 9274-0140 | 140 | 44.09 | .68 |
| 8MGT-720-12 | 9274-0090 | 90 | 28.35 | .47 | 8MGT-1200-12 | 9274-0150 | 150 | 47.24 | .70 |
| 8MGT-800-12 | 9274-0100 | 100 | 31.50 | .50 | 8MGT-1224-12 | 9274-0153 | 153 | 48.19 | .72 |
| 8MGT-896-12 | 9274-0112 | 112 | 35.28 | .55 | 8MGT-1280-12 | 9274-0160 | 160 | 50.39 | .75 |
| 8MGT-960-12 | 9274-0120 | 120 | 37.80 | .58 | 8MGT-1440-12 | 9274-0180 | 180 | 56.69 | .80 |
| 8MGT-1000-12 | 9274-0125 | 125 | 39.37 | .60 | 8MGT-1600-12 | 9274-0200 | 200 | 62.99 | .90 |
| 8MGT-1040-12 | 9274-0130 | 130 | 40.95 | .65 | 8MGT-1760-12 | 9274-0220 | 220 | 69.29 | .95 |

Poly Chain® GT® Carbon™ Belts

Product No. Series 9274 (continued)

8mm Pitch — 12mm Wide (continued)

| Part No. | Product No. | Number of Teeth | Pitch Length (in) | Weight (Lbs.) | Part No. | Product No. | Number of Teeth | Pitch Length (in) | Weight (Lbs.) |
|--------------|-------------|-----------------|-------------------|---------------|--------------|-------------|-----------------|-------------------|---------------|
| 8MGT-1792-12 | 9274-0224 | 224 | 70.55 | 1.00 | 8MGT-2840-12 | 9274-0355 | 355 | 111.81 | 1.52 |
| 8MGT-2000-12 | 9274-0250 | 250 | 78.74 | 1.10 | 8MGT-3048-12 | 9274-0381 | 381 | 120.00 | 1.65 |
| 8MGT-2200-12 | 9274-0275 | 275 | 86.61 | 1.15 | 8MGT-3200-12 | 9274-0400 | 400 | 125.98 | 1.70 |
| 8MGT-2240-12 | 9274-0280 | 280 | 88.19 | 1.20 | 8MGT-3280-12 | 9274-0410 | 410 | 129.13 | 1.75 |
| 8MGT-2400-12 | 9274-0300 | 300 | 94.49 | 1.30 | 8MGT-3600-12 | 9274-0450 | 450 | 141.73 | 1.85 |
| 8MGT-2520-12 | 9274-0315 | 315 | 99.21 | 1.35 | 8MGT-4000-12 | 9274-0500 | 500 | 157.48 | 2.10 |
| 8MGT-2600-12 | 9274-0325 | 325 | 102.36 | 1.40 | 8MGT-4400-12 | 9274-0550 | 550 | 173.23 | 2.25 |
| 8MGT-2800-12 | 9274-0350 | 350 | 110.24 | 1.50 | 8MGT-4480-12 | 9274-0560 | 560 | 176.38 | 2.33 |

8mm Pitch — 21mm Wide

| Part No. | Product No. | Number of Teeth | Pitch Length (in) | Weight (Lbs.) | Part No. | Product No. | Number of Teeth | Pitch Length (in) | Weight (Lbs.) |
|--------------|-------------|-----------------|-------------------|---------------|--------------|-------------|-----------------|-------------------|---------------|
| 8MGT-640-21 | 9274-1080 | 80 | 25.20 | .40 | 8MGT-2000-21 | 9274-1250 | 250 | 78.74 | 1.25 |
| 8MGT-720-21 | 9274-1090 | 90 | 28.35 | .45 | 8MGT-2200-21 | 9274-1275 | 275 | 86.61 | 1.38 |
| 8MGT-800-21 | 9274-1100 | 100 | 31.50 | .50 | 8MGT-2240-21 | 9274-1280 | 280 | 88.19 | 1.40 |
| 8MGT-896-21 | 9274-1112 | 112 | 35.28 | .53 | 8MGT-2400-21 | 9274-1300 | 300 | 94.49 | 1.50 |
| 8MGT-960-21 | 9274-1120 | 120 | 37.80 | .58 | 8MGT-2520-21 | 9274-1315 | 315 | 99.21 | 1.60 |
| 8MGT-1000-21 | 9274-1125 | 125 | 39.37 | .60 | 8MGT-2600-21 | 9274-1325 | 325 | 102.36 | 1.65 |
| 8MGT-1040-21 | 9274-1130 | 130 | 40.95 | .65 | 8MGT-2800-21 | 9274-1350 | 350 | 110.24 | 1.75 |
| 8MGT-1120-21 | 9274-1140 | 140 | 44.09 | .70 | 8MGT-2840-21 | 9274-1355 | 355 | 111.81 | 1.80 |
| 8MGT-1200-21 | 9274-1150 | 150 | 47.24 | .75 | 8MGT-3048-21 | 9274-1381 | 381 | 120.00 | 1.90 |
| 8MGT-1224-21 | 9274-1153 | 153 | 48.19 | .75 | 8MGT-3200-21 | 9274-1400 | 400 | 125.98 | 2.05 |
| 8MGT-1280-21 | 9274-1160 | 160 | 50.39 | .80 | 8MGT-3280-21 | 9274-1410 | 410 | 129.13 | 2.10 |
| 8MGT-1440-21 | 9274-1180 | 180 | 56.69 | .90 | 8MGT-3600-21 | 9274-1450 | 450 | 141.73 | 2.25 |
| 8MGT-1600-21 | 9274-1200 | 200 | 62.99 | 1.00 | 8MGT-4000-21 | 9274-1500 | 500 | 157.48 | 2.55 |
| 8MGT-1760-21 | 9274-1220 | 220 | 69.29 | 1.15 | 8MGT-4400-21 | 9274-1550 | 550 | 173.23 | 2.75 |
| 8MGT-1792-21 | 9274-1224 | 224 | 70.55 | 1.15 | 8MGT-4480-21 | 9274-1560 | 560 | 176.38 | 2.80 |

8mm Pitch — 36mm Wide

| Part No. | Product No. | Number of Teeth | Pitch Length (in) | Weight (Lbs.) | Part No. | Product No. | Number of Teeth | Pitch Length (in) | Weight (Lbs.) |
|--------------|-------------|-----------------|-------------------|---------------|--------------|-------------|-----------------|-------------------|---------------|
| 8MGT-640-36 | 9274-2080 | 80 | 25.20 | .70 | 8MGT-2000-36 | 9274-2250 | 250 | 78.74 | 1.70 |
| 8MGT-720-36 | 9274-2090 | 90 | 28.35 | .75 | 8MGT-2200-36 | 9274-2275 | 275 | 86.61 | 1.88 |
| 8MGT-800-36 | 9274-2100 | 100 | 31.50 | .80 | 8MGT-2240-36 | 9274-2280 | 280 | 88.19 | 1.90 |
| 8MGT-896-36 | 9274-2112 | 112 | 35.28 | .90 | 8MGT-2400-36 | 9274-2300 | 300 | 94.49 | 2.00 |
| 8MGT-960-36 | 9274-2120 | 120 | 37.80 | .97 | 8MGT-2520-36 | 9274-2315 | 315 | 99.21 | 2.15 |
| 8MGT-1000-36 | 9274-2125 | 125 | 39.37 | 1.00 | 8MGT-2600-36 | 9274-2325 | 325 | 102.36 | 2.30 |
| 8MGT-1040-36 | 9274-2130 | 130 | 40.95 | 1.02 | 8MGT-2800-36 | 9274-2350 | 350 | 110.24 | 2.40 |
| 8MGT-1120-36 | 9274-2140 | 140 | 44.09 | 1.10 | 8MGT-2840-36 | 9274-2355 | 355 | 111.81 | 2.50 |
| 8MGT-1200-36 | 9274-2150 | 150 | 47.24 | 1.12 | 8MGT-3048-36 | 9274-2381 | 381 | 120.00 | 2.62 |
| 8MGT-1224-36 | 9274-2153 | 153 | 48.19 | 1.20 | 8MGT-3200-36 | 9274-2400 | 400 | 125.98 | 2.70 |
| 8MGT-1280-36 | 9274-2160 | 160 | 50.39 | 1.25 | 8MGT-3280-36 | 9274-2410 | 410 | 129.13 | 2.72 |
| 8MGT-1440-36 | 9274-2180 | 180 | 56.69 | 1.35 | 8MGT-3600-36 | 9274-2450 | 450 | 141.73 | 2.95 |
| 8MGT-1600-36 | 9274-2200 | 200 | 62.99 | 1.45 | 8MGT-4000-36 | 9274-2500 | 500 | 157.48 | 3.25 |
| 8MGT-1760-36 | 9274-2220 | 220 | 69.29 | 1.60 | 8MGT-4400-36 | 9274-2550 | 550 | 173.23 | 3.55 |
| 8MGT-1792-36 | 9274-2224 | 224 | 70.55 | 1.65 | 8MGT-4480-36 | 9274-2560 | 560 | 176.38 | 3.60 |

8mm Pitch — 62mm Wide

| Part No. | Product No. | Number of Teeth | Pitch Length (in) | Weight (Lbs.) | Part No. | Product No. | Number of Teeth | Pitch Length (in) | Weight (Lbs.) |
|--------------|-------------|-----------------|-------------------|---------------|--------------|-------------|-----------------|-------------------|---------------|
| 8MGT-640-62 | 9274-3080 | 80 | 25.20 | .80 | 8MGT-1040-62 | 9274-3130 | 130 | 40.95 | 1.35 |
| 8MGT-720-62 | 9274-3090 | 90 | 28.35 | 1.00 | 8MGT-1120-62 | 9274-3140 | 140 | 44.09 | 1.40 |
| 8MGT-800-62 | 9274-3100 | 100 | 31.50 | 1.08 | 8MGT-1200-62 | 9274-3150 | 150 | 47.24 | 1.75 |
| 8MGT-896-62 | 9274-3112 | 112 | 35.28 | 1.20 | 8MGT-1224-62 | 9274-3153 | 153 | 48.19 | 1.65 |
| 8MGT-960-62 | 9274-3120 | 120 | 37.80 | 1.25 | 8MGT-1280-62 | 9274-3160 | 160 | 50.39 | 1.70 |
| 8MGT-1000-62 | 9274-3125 | 125 | 39.37 | 1.30 | 8MGT-1440-62 | 9274-3180 | 180 | 56.69 | 1.85 |

POLY CHAIN BELTS

Poly Chain® GT® Carbon™ Belts

Product No. Series 9274 (continued)

8mm Pitch — 62mm Wide (continued)

| Part No. | Product No. | Number of Teeth | Pitch Length (in) | Weight (Lbs.) | Part No. | Product No. | Number of Teeth | Pitch Length (in) | Weight (Lbs.) |
|--------------|-------------|-----------------|-------------------|---------------|--------------|-------------|-----------------|-------------------|---------------|
| 8MGT-1600-62 | 9274-3200 | 200 | 62.99 | 2.00 | 8MGT-2800-62 | 9274-3350 | 350 | 110.24 | 3.10 |
| 8MGT-1760-62 | 9274-3220 | 220 | 69.29 | 2.10 | 8MGT-2840-62 | 9274-3355 | 355 | 111.81 | 3.15 |
| 8MGT-1792-62 | 9274-3224 | 224 | 70.55 | 2.10 | 8MGT-3048-62 | 9274-3381 | 381 | 120.00 | 3.40 |
| 8MGT-2000-62 | 9274-3250 | 250 | 78.74 | 2.30 | 8MGT-3200-62 | 9274-3400 | 400 | 125.98 | 3.60 |
| 8MGT-2200-62 | 9274-3275 | 275 | 86.61 | 2.50 | 8MGT-3280-62 | 9274-3410 | 410 | 129.13 | 3.70 |
| 8MGT-2240-62 | 9274-3280 | 280 | 88.19 | 2.55 | 8MGT-3600-62 | 9274-3450 | 450 | 141.73 | 4.05 |
| 8MGT-2400-62 | 9274-3300 | 300 | 94.49 | 2.80 | 8MGT-4000-62 | 9274-3500 | 500 | 157.48 | 4.40 |
| 8MGT-2520-62 | 9274-3315 | 315 | 99.21 | 2.90 | 8MGT-4400-62 | 9274-3550 | 550 | 173.23 | 4.80 |
| 8MGT-2600-62 | 9274-3325 | 325 | 102.36 | 2.95 | 8MGT-4480-62 | 9274-3560 | 560 | 176.38 | 4.90 |

14mm Pitch — 20mm Wide

| Part No. | Product No. | Number of Teeth | Pitch Length (in) | Weight (Lbs.) | Part No. | Product No. | Number of Teeth | Pitch Length (in) | Weight (Lbs.) |
|---------------|-------------|-----------------|-------------------|---------------|---------------|-------------|-----------------|-------------------|---------------|
| 14MGT-994-20 | 9274-4071 | 71 | 39.13 | 1.30 | 14MGT-2520-20 | 9274-4180 | 180 | 99.21 | 2.20 |
| 14MGT-1120-20 | 9274-4080 | 80 | 44.09 | 1.35 | 14MGT-2590-20 | 9274-4185 | 185 | 101.97 | 2.20 |
| 14MGT-1190-20 | 9274-4085 | 85 | 46.85 | 1.40 | 14MGT-2660-20 | 9274-4190 | 190 | 104.72 | 2.25 |
| 14MGT-1260-20 | 9274-4090 | 90 | 49.61 | 1.45 | 14MGT-2730-20 | 9274-4195 | 195 | 107.48 | .94 |
| 14MGT-1400-20 | 9274-4100 | 100 | 55.12 | 1.55 | 14MGT-2800-20 | 9274-4200 | 200 | 110.24 | 2.30 |
| 14MGT-1568-20 | 9274-4112 | 112 | 61.73 | 1.65 | 14MGT-2828-20 | 9274-4202 | 202 | 111.34 | .97 |
| 14MGT-1610-20 | 9274-4115 | 115 | 63.39 | 1.70 | 14MGT-3136-20 | 9274-4224 | 224 | 123.46 | 2.50 |
| 14MGT-1750-20 | 9274-4125 | 125 | 68.90 | 1.75 | 14MGT-3304-20 | 9274-4236 | 236 | 130.08 | 2.55 |
| 14MGT-1890-20 | 9274-4135 | 135 | 74.41 | 1.75 | 14MGT-3360-20 | 9274-4240 | 240 | 132.28 | 2.60 |
| 14MGT-1960-20 | 9274-4140 | 140 | 77.17 | 1.80 | 14MGT-3500-20 | 9274-4250 | 250 | 137.80 | 2.70 |
| 14MGT-2100-20 | 9274-4150 | 150 | 82.68 | 1.90 | 14MGT-3850-20 | 9274-4275 | 275 | 151.58 | 2.85 |
| 14MGT-2240-20 | 9274-4160 | 160 | 88.19 | 1.98 | 14MGT-3920-20 | 9274-4280 | 280 | 154.33 | 2.95 |
| 14MGT-2310-20 | 9274-4165 | 165 | 90.95 | 2.05 | 14MGT-4326-20 | 9274-4309 | 309 | 170.32 | 3.15 |
| 14MGT-2380-20 | 9274-4170 | 170 | 93.70 | 2.10 | 14MGT-4410-20 | 9274-4315 | 315 | 173.62 | 3.20 |
| 14MGT-2450-20 | 9274-4175 | 175 | 96.46 | 2.15 | | | | | |

14mm Pitch — 37mm Wide

| Part No. | Product No. | Number of Teeth | Pitch Length (in) | Weight (Lbs.) | Part No. | Product No. | Number of Teeth | Pitch Length (in) | Weight (Lbs.) |
|---------------|-------------|-----------------|-------------------|---------------|---------------|-------------|-----------------|-------------------|---------------|
| 14MGT-994-37 | 9274-5071 | 71 | 39.13 | 1.60 | 14MGT-2520-37 | 9274-5180 | 180 | 99.21 | 3.20 |
| 14MGT-1120-37 | 9274-5080 | 80 | 44.09 | 1.70 | 14MGT-2590-37 | 9274-5185 | 185 | 101.97 | 3.25 |
| 14MGT-1190-37 | 9274-5085 | 85 | 46.85 | 1.75 | 14MGT-2660-37 | 9274-5190 | 190 | 104.72 | 3.35 |
| 14MGT-1260-37 | 9274-5090 | 90 | 49.61 | 1.80 | 14MGT-2730-37 | 9274-5195 | 195 | 107.48 | 1.74 |
| 14MGT-1400-37 | 9274-5100 | 100 | 55.12 | 2.05 | 14MGT-2800-37 | 9274-5200 | 200 | 110.24 | 3.40 |
| 14MGT-1568-37 | 9274-5112 | 112 | 61.73 | 2.20 | 14MGT-2828-37 | 9274-5202 | 202 | 111.34 | 1.80 |
| 14MGT-1610-37 | 9274-5115 | 115 | 63.39 | 2.30 | 14MGT-3136-37 | 9274-5224 | 224 | 123.46 | 3.65 |
| 14MGT-1750-37 | 9274-5125 | 125 | 68.90 | 2.45 | 14MGT-3304-37 | 9274-5236 | 236 | 130.08 | 3.85 |
| 14MGT-1890-37 | 9274-5135 | 135 | 74.41 | 2.55 | 14MGT-3360-37 | 9274-5240 | 240 | 132.28 | 3.85 |
| 14MGT-1960-37 | 9274-5140 | 140 | 77.17 | 2.60 | 14MGT-3500-37 | 9274-5250 | 250 | 137.80 | 3.95 |
| 14MGT-2100-37 | 9274-5150 | 150 | 82.68 | 2.70 | 14MGT-3850-37 | 9274-5275 | 275 | 151.58 | 4.25 |
| 14MGT-2240-37 | 9274-5160 | 160 | 88.19 | 2.85 | 14MGT-3920-37 | 9274-5280 | 280 | 154.33 | 4.35 |
| 14MGT-2310-37 | 9274-5165 | 165 | 90.95 | 2.90 | 14MGT-4326-37 | 9274-5309 | 309 | 170.32 | 4.70 |
| 14MGT-2380-37 | 9274-5170 | 170 | 93.70 | 3.00 | 14MGT-4410-37 | 9274-5315 | 315 | 173.62 | 4.75 |
| 14MGT-2450-37 | 9274-5175 | 175 | 96.46 | 3.10 | | | | | |

14mm Pitch — 68mm Wide

| Part No. | Product No. | Number of Teeth | Pitch Length (in) | Weight (Lbs.) | Part No. | Product No. | Number of Teeth | Pitch Length (in) | Weight (Lbs.) |
|---------------|-------------|-----------------|-------------------|---------------|---------------|-------------|-----------------|-------------------|---------------|
| 14MGT-994-68 | 9274-6071 | 71 | 39.13 | 2.40 | 14MGT-1568-68 | 9274-6112 | 112 | 61.73 | 3.25 |
| 14MGT-1120-68 | 9274-6080 | 80 | 44.09 | 2.60 | 14MGT-1610-68 | 9274-6115 | 115 | 63.39 | 3.40 |
| 14MGT-1190-68 | 9274-6085 | 85 | 46.85 | 2.70 | 14MGT-1750-68 | 9274-6125 | 125 | 68.90 | 3.60 |
| 14MGT-1260-68 | 9274-6090 | 90 | 49.61 | 2.80 | 14MGT-1890-68 | 9274-6135 | 135 | 74.41 | 3.95 |
| 14MGT-1400-68 | 9274-6100 | 100 | 55.12 | 3.00 | 14MGT-1960-68 | 9274-6140 | 140 | 77.17 | 4.00 |

POLY CHAIN BELTS

Poly Chain® GT® Carbon™ Belts

Product No. Series 9274 (continued)

14mm Pitch — 68mm Wide (continued)

| Part No. | Product No. | Number of Teeth | Pitch Length (in) | Weight (Lbs.) |
|---------------|-------------|-----------------|-------------------|---------------|
| 14MGT-2100-68 | 9274-6150 | 150 | 82.68 | 4.20 |
| 14MGT-2240-68 | 9274-6160 | 160 | 88.19 | 4.50 |
| 14MGT-2310-68 | 9274-6165 | 165 | 90.95 | 4.70 |
| 14MGT-2380-68 | 9274-6170 | 170 | 93.70 | 4.70 |
| 14MGT-2450-68 | 9274-6175 | 175 | 96.46 | 4.85 |
| 14MGT-2520-68 | 9274-6180 | 180 | 99.21 | 4.90 |
| 14MGT-2590-68 | 9274-6185 | 185 | 101.97 | 5.00 |
| 14MGT-2660-68 | 9274-6190 | 190 | 104.72 | 5.15 |
| 14MGT-2730-68 | 9274-6195 | 195 | 107.48 | 3.20 |
| 14MGT-2800-68 | 9274-6200 | 200 | 110.24 | 5.20 |

| Part No. | Product No. | Number of Teeth | Pitch Length (in) | Weight (Lbs.) |
|---------------|-------------|-----------------|-------------------|---------------|
| 14MGT-2828-68 | 9274-6202 | 202 | 111.34 | 3.31 |
| 14MGT-3136-68 | 9274-6224 | 224 | 123.46 | 5.80 |
| 14MGT-3304-68 | 9274-6236 | 236 | 130.08 | 6.05 |
| 14MGT-3360-68 | 9274-6240 | 240 | 132.28 | 6.10 |
| 14MGT-3500-68 | 9274-6250 | 250 | 137.80 | 6.30 |
| 14MGT-3850-68 | 9274-6275 | 275 | 151.58 | 6.80 |
| 14MGT-3920-68 | 9274-6280 | 280 | 154.33 | 7.00 |
| 14MGT-4326-68 | 9274-6309 | 309 | 170.32 | 7.70 |
| 14MGT-4410-68 | 9274-6315 | 315 | 173.62 | 7.85 |

14mm Pitch — 90mm Wide

| Part No. | Product No. | Number of Teeth | Pitch Length (in) | Weight (Lbs.) |
|---------------|-------------|-----------------|-------------------|---------------|
| 14MGT-994-90 | 9274-7071 | 71 | 39.13 | 3.00 |
| 14MGT-1120-90 | 9274-7080 | 80 | 44.09 | 3.30 |
| 14MGT-1190-90 | 9274-7085 | 85 | 46.85 | 3.35 |
| 14MGT-1260-90 | 9274-7090 | 90 | 49.61 | 3.60 |
| 14MGT-1400-90 | 9274-7100 | 100 | 55.12 | 3.35 |
| 14MGT-1568-90 | 9274-7112 | 112 | 61.73 | 4.10 |
| 14MGT-1610-90 | 9274-7115 | 115 | 63.39 | 4.25 |
| 14MGT-1750-90 | 9274-7125 | 125 | 68.90 | 4.50 |
| 14MGT-1890-90 | 9274-7135 | 135 | 74.41 | 4.85 |
| 14MGT-1960-90 | 9274-7140 | 140 | 77.17 | 4.95 |
| 14MGT-2100-90 | 9274-7150 | 150 | 82.68 | 5.20 |
| 14MGT-2240-90 | 9274-7160 | 160 | 88.19 | 5.45 |
| 14MGT-2310-90 | 9274-7165 | 165 | 90.95 | 5.50 |
| 14MGT-2380-90 | 9274-7170 | 170 | 93.70 | 5.70 |
| 14MGT-2450-90 | 9274-7175 | 175 | 96.46 | 5.85 |

| Part No. | Product No. | Number of Teeth | Pitch Length (in) | Weight (Lbs.) |
|---------------|-------------|-----------------|-------------------|---------------|
| 14MGT-2520-90 | 9274-7180 | 180 | 99.21 | 5.90 |
| 14MGT-2590-90 | 9274-7185 | 185 | 101.97 | 5.95 |
| 14MGT-2660-90 | 9274-7190 | 190 | 104.72 | 6.10 |
| 14MGT-2730-90 | 9274-7195 | 195 | 107.48 | 4.23 |
| 14MGT-2800-90 | 9274-7200 | 200 | 110.24 | 6.40 |
| 14MGT-2828-90 | 9274-7202 | 202 | 111.34 | 4.39 |
| 14MGT-3136-90 | 9274-7224 | 224 | 123.46 | 7.00 |
| 14MGT-3304-90 | 9274-7236 | 236 | 130.08 | 7.35 |
| 14MGT-3360-90 | 9274-7240 | 240 | 132.28 | 7.50 |
| 14MGT-3500-90 | 9274-7250 | 250 | 137.80 | 7.70 |
| 14MGT-3850-90 | 9274-7275 | 275 | 151.58 | 8.30 |
| 14MGT-3920-90 | 9274-7280 | 280 | 154.33 | 8.50 |
| 14MGT-4326-90 | 9274-7309 | 309 | 170.32 | 9.20 |
| 14MGT-4410-90 | 9274-7315 | 315 | 173.62 | 9.30 |

14mm Pitch — 125mm Wide

| Part No. | Product No. | Number of Teeth | Pitch Length (in) | Weight (Lbs.) |
|----------------|-------------|-----------------|-------------------|---------------|
| 14MGT-994-125 | 9274-8071 | 71 | 39.13 | 3.60 |
| 14MGT-1120-125 | 9274-8080 | 80 | 44.09 | 3.90 |
| 14MGT-1190-125 | 9274-8085 | 85 | 46.85 | 4.00 |
| 14MGT-1260-125 | 9274-8090 | 90 | 49.61 | 4.20 |
| 14MGT-1400-125 | 9274-8100 | 100 | 55.12 | 4.60 |
| 14MGT-1568-125 | 9274-8112 | 112 | 61.73 | 5.00 |
| 14MGT-1610-125 | 9274-8115 | 115 | 63.39 | 5.20 |
| 14MGT-1750-125 | 9274-8125 | 125 | 68.90 | 5.40 |
| 14MGT-1890-125 | 9274-8135 | 135 | 74.41 | 5.80 |
| 14MGT-1960-125 | 9274-8140 | 140 | 77.17 | 6.00 |
| 14MGT-2100-125 | 9274-8150 | 150 | 82.68 | 6.50 |
| 14MGT-2240-125 | 9274-8160 | 160 | 88.19 | 6.80 |
| 14MGT-2310-125 | 9274-8165 | 165 | 90.95 | 7.00 |
| 14MGT-2380-125 | 9274-8170 | 170 | 93.70 | 7.10 |
| 14MGT-2450-125 | 9274-8175 | 175 | 96.46 | 7.20 |

| Part No. | Product No. | Number of Teeth | Pitch Length (in) | Weight (Lbs.) |
|-----------------------------|-------------|-----------------|-------------------|---------------|
| 14MGT-2520-125 | 9274-8180 | 180 | 99.21 | 7.40 |
| 14MGT-2590-125 | 9274-8185 | 185 | 101.97 | 7.60 |
| 14MGT-2660-125 | 9274-8190 | 190 | 104.72 | 7.75 |
| ^N 14MGT-2730-125 | 9274-8195 | 195 | 107.48 | 5.88 |
| 14MGT-2800-125 | 9274-8200 | 200 | 110.24 | 8.30 |
| ^N 14MGT-2828-125 | 9274-8202 | 202 | 111.34 | 6.09 |
| 14MGT-3136-125 | 9274-8224 | 224 | 123.46 | 9.10 |
| 14MGT-3304-125 | 9274-8236 | 236 | 130.08 | 9.50 |
| 14MGT-3360-125 | 9274-8240 | 240 | 132.28 | 9.65 |
| 14MGT-3500-125 | 9274-8250 | 250 | 137.80 | 10.00 |
| 14MGT-3850-125 | 9274-8275 | 275 | 151.58 | 10.75 |
| 14MGT-3920-125 | 9274-8280 | 280 | 154.33 | 11.00 |
| 14MGT-4326-125 | 9274-8309 | 309 | 170.32 | 12.00 |
| 14MGT-4410-125 | 9274-8315 | 315 | 173.62 | 12.20 |

N New Product

Poly Chain® GT® Carbon™ - Extended Length Belts

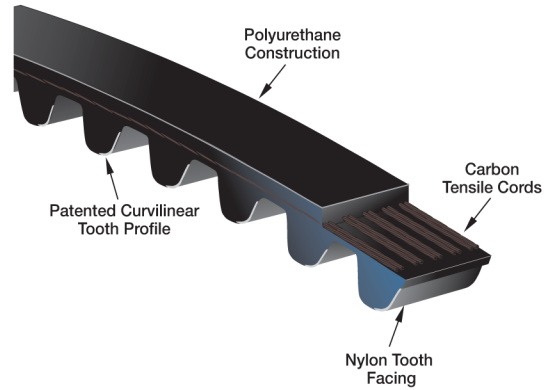
A new and unique manufacturing process allows longer and custom length endless belts than have previously been available. This manufacturing process is used for the following belt length ranges: 14M Pitch Lengths > 4410mm.

Markets/Applications

All industrial markets requiring long center distance and high load carrying capacity. Especially targeted towards HVAC, roller chain and gear replacement, oil, mining, water treatment plants, pulp and paper, and general manufacturing.

Features/Advantages

- Durable polyurethane construction resists chemicals, oil, pollutants, and abrasion.
- Fully operational in temperature extremes of -65°F to +185°F (-54°C to +85°C).
- Gates patented curvilinear tooth profile provides high shear strength, and improved load carrying capacity.
- Nylon tooth facing reduces friction and eliminates the need for lubrication.
- Robust carbon tensile cord combines minimal stretch with extraordinary strength and load carrying capacity, while absorbing shock and surge loads.



Recommended Sprockets

Poly Chain® GT®2 Sprockets - 14M

Notes

Belt pitch is the distance in millimeters between two adjacent tooth centers as measured on the pitch line of the belt. Belt pitch length is the total length (circumference) in millimeters as measured along the pitch line. The theoretical pitch line of a Poly Chain GT Carbon belt lies within the tensile member.

Poly Chain GT Carbon Spiral Spliced Belts are Standard/Non-Stock and may require lead time. Please check with Customer Service for availability.

WARNING: Use of non-Gates manufactured sprockets is not recommended: Gates Poly Chain GT2 sprockets are manufactured, specified and tested to fully support the full capabilities of the Poly Chain GT Carbon belt. Product performance cannot be guaranteed when non-Gates sprockets are used. Always utilize Taper-Lock® type Gates Poly Chain GT2 Sprockets when designing a new Poly Chain GT Carbon belt drive system.

Product No. Series 9268

14mm Pitch — 37mm Wide

| Part No. | Product No. | Number of Teeth | Pitch Length (in) | Weight (Lbs.) | Part No. | Product No. | Number of Teeth | Pitch Length (in) | Weight (Lbs.) |
|-----------------|-------------|-----------------|-------------------|---------------|-----------------|-------------|-----------------|-------------------|---------------|
| 14MGT-4578EL-37 | 9268-2001 | 327 | 180.24 | 2.92 | 14MGT-5740EL-37 | 9268-2010 | 410 | 225.99 | 3.66 |
| 14MGT-4956EL-37 | 9268-2004 | 354 | 195.12 | 3.16 | 14MGT-6160EL-37 | 9268-2013 | 440 | 242.52 | 3.93 |
| 14MGT-5320EL-37 | 9268-2007 | 380 | 209.45 | 3.39 | 14MGT-6860EL-37 | 9268-2016 | 490 | 270.08 | 4.37 |

14mm Pitch — 68mm Wide

| Part No. | Product No. | Number of Teeth | Pitch Length (in) | Weight (Lbs.) | Part No. | Product No. | Number of Teeth | Pitch Length (in) | Weight (Lbs.) |
|-----------------|-------------|-----------------|-------------------|---------------|-----------------|-------------|-----------------|-------------------|---------------|
| 14MGT-4578EL-68 | 9268-2002 | 327 | 180.24 | 5.36 | 14MGT-5740EL-68 | 9268-2011 | 410 | 225.99 | 6.73 |
| 14MGT-4956EL-68 | 9268-2005 | 354 | 195.12 | 5.81 | 14MGT-6160EL-68 | 9268-2014 | 440 | 242.52 | 7.22 |
| 14MGT-5320EL-68 | 9268-2008 | 380 | 209.45 | 6.23 | 14MGT-6860EL-68 | 9268-2017 | 490 | 270.08 | 8.04 |

14mm Pitch — 90mm Wide

| Part No. | Product No. | Number of Teeth | Pitch Length (in) | Weight (Lbs.) | Part No. | Product No. | Number of Teeth | Pitch Length (in) | Weight (Lbs.) |
|-----------------|-------------|-----------------|-------------------|---------------|-----------------|-------------|-----------------|-------------------|---------------|
| 14MGT-4578EL-90 | 9268-2003 | 327 | 180.24 | 7.10 | 14MGT-5740EL-90 | 9268-2012 | 410 | 225.98 | 8.90 |
| 14MGT-4956EL-90 | 9268-2006 | 354 | 195.12 | 7.69 | 14MGT-6160EL-90 | 9268-2015 | 440 | 242.52 | 9.55 |
| 14MGT-5320EL-90 | 9268-2009 | 380 | 209.45 | 8.25 | 14MGT-6860EL-90 | 9268-2018 | 490 | 270.08 | 10.64 |

Curve Saw Poly Chain® GT®2 Belts

An innovative construction combined with the Gates tooth profile makes the Curve Saw Belt compact and lightweight with extraordinary strength and load carrying capacity. The Curve Saw Belt can be used on the toughest shock loaded applications to reduce down time.

Markets/Applications

All industrial markets, but particularly suited for Curve Saw applications or any shock loaded application requiring synchronization.

Features/Advantages

- Gates patented curvilinear tooth profile provides high shear strength, and improved load carrying capacity.
- Unique **aramid tensile cord** combines extraordinary strength and superior shock load capacity.
- Significantly reduces log jams and associated down time.
- **Nylon tooth facing** reduces friction and eliminates the need for lubrication.
- Fully operational in temperature extremes of -65°F to +185°F (-54°C to +85°C).

Recommended Sprockets

Poly Chain® GT®2 Sprockets - 14M

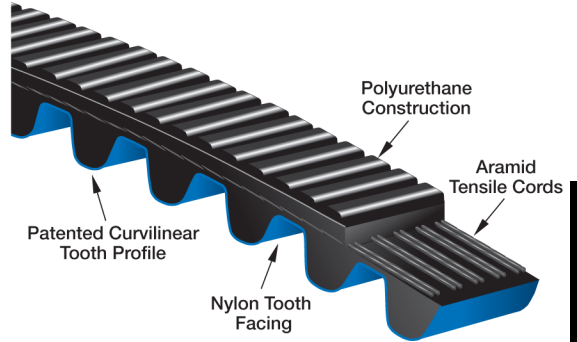
Notes

Belt pitch is the distance in millimeters between two adjacent tooth centers as measured on the **pitch line** of the belt.

Belt pitch length is the total length (circumference) in millimeters as measured along the pitch line.

The theoretical pitch line of a Poly Chain GT2 belt lies within the tensile member.

WARNING: New designs must utilize the Poly Chain GT2 Sprockets because of the high torque capacity of the Curve Saw Poly Chain GT2 Belt.



POLY CHAIN BELTS

Product No. Series 9279

| Part No. | Product No. | Number of Teeth | Pitch Length (in) | Weight (Lbs.) |
|----------------|-------------|-----------------|-------------------|---------------|
| 14M-2520-125PS | 9279-0646 | 180 | 99.21 | 4.40 |
| 14M-3136-125PS | 9279-0647 | 224 | 123.46 | 6.56 |
| 14M-3304-125PS | 9279-0648 | 236 | 130.08 | 7.20 |
| 14M-3500-125PS | 9279-0649 | 250 | 137.80 | 8.20 |

Poly Chain® GT® Carbon™ Belts - 8M Short Length

Poly Chain GT Carbon Belts—Nothing Tougher™.

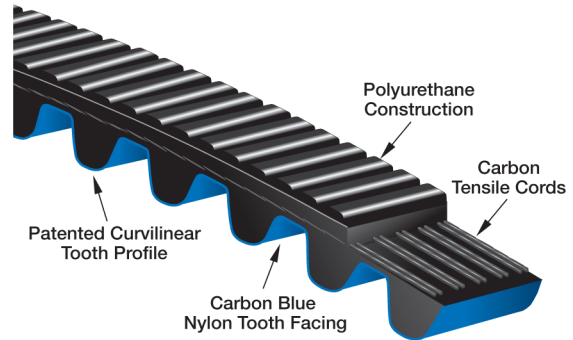
The new Poly Chain GT Carbon belt construction utilizes a polyurethane body combined with Carbon Fiber tensile cords for increased capacity and performance.

Markets/Applications

All industrial markets requiring short center distance but high-density power. Particularly suited for replacing roller chain on roll-to-roll conveyors.

Features/Advantages

- Robust **carbon tensile cord** combines minimal stretch with extraordinary strength and load carrying capacity, while absorbing shock and surge loads.
- Durable **polyurethane construction** resists chemicals, oil, pollutants, and abrasion.
- **Nylon tooth facing** reduces friction and eliminates the need for lubrication.
- Gates **patented tooth profile** provides high shear strength, noise reduction, and improved load carrying capacity.
- Fully operational in temperature extremes of -65°F to +185°F (-54°C to +85°C).



Recommended Sprockets

Poly Chain® GT®2 Sprockets

Notes

Poly Chain GT Carbon belts must be used with sprockets of the same pitch and profile.

Poly Chain GT Carbon part numbers are comprised of pitch, pitch length and width. For example, part number 8M-248-12 denotes an 8mm pitch, 248mm pitch length and 12mm width. Belt **pitch** is the distance in millimeters between two adjacent tooth centers as measured on the pitch line of the belt. Belt **pitch length** is the total length (circumference) in millimeters as measured along the pitch line. The theoretical pitch line of a Poly Chain GT belt lies within the tensile member.

POLY CHAIN BELTS

Product No. Series 9270

8mm Pitch — 12mm Wide

| Part No. | Product No. | Number of Teeth | Pitch Length (in) | Weight (Lbs.) | Part No. | Product No. | Number of Teeth | Pitch Length (in) | Weight (Lbs.) |
|-------------|-------------|-----------------|-------------------|---------------|-------------|-------------|-----------------|-------------------|---------------|
| 8MGT-248-12 | 9270-1063 | 31 | 9.76 | .04 | 8MGT-456-12 | 9270-1060 | 57 | 17.95 | .06 |
| 8MGT-288-12 | 9270-1001 | 36 | 11.34 | .04 | 8MGT-480-12 | 9270-1015 | 60 | 18.90 | .06 |
| 8MGT-352-12 | 9270-1002 | 44 | 13.86 | .05 | 8MGT-544-12 | 9270-1006 | 68 | 21.42 | .07 |
| 8MGT-416-12 | 9270-1004 | 52 | 16.38 | .05 | 8MGT-608-12 | 9270-1050 | 76 | 23.94 | .07 |

8mm Pitch — 21mm Wide

| Part No. | Product No. | Number of Teeth | Pitch Length (in) | Weight (Lbs.) | Part No. | Product No. | Number of Teeth | Pitch Length (in) | Weight (Lbs.) |
|-------------|-------------|-----------------|-------------------|---------------|-------------|-------------|-----------------|-------------------|---------------|
| 8MGT-248-21 | 9270-1064 | 31 | 9.76 | .05 | 8MGT-456-21 | 9270-1069 | 57 | 17.95 | .10 |
| 8MGT-288-21 | 9270-1056 | 36 | 11.34 | .06 | 8MGT-480-21 | 9270-1023 | 60 | 18.90 | .10 |
| 8MGT-352-21 | 9270-1065 | 44 | 13.86 | .08 | 8MGT-544-21 | 9270-1070 | 68 | 21.42 | .12 |
| 8MGT-416-21 | 9270-1025 | 52 | 16.38 | .09 | 8MGT-608-21 | 9270-1071 | 76 | 23.94 | .13 |

8mm Pitch — 36mm Wide

| Part No. | Product No. | Number of Teeth | Pitch Length (in) | Weight (Lbs.) | Part No. | Product No. | Number of Teeth | Pitch Length (in) | Weight (Lbs.) |
|-------------|-------------|-----------------|-------------------|---------------|-------------|-------------|-----------------|-------------------|---------------|
| 8MGT-248-36 | 9270-1072 | 31 | 9.76 | .09 | 8MGT-456-36 | 9270-1076 | 57 | 17.95 | .17 |
| 8MGT-288-36 | 9270-1074 | 36 | 11.34 | .11 | 8MGT-480-36 | 9270-1066 | 60 | 18.90 | .18 |
| 8MGT-352-36 | 9270-1073 | 44 | 13.86 | .13 | 8MGT-544-36 | 9270-1077 | 68 | 21.42 | .20 |
| 8MGT-416-36 | 9270-1075 | 52 | 16.38 | .15 | 8MGT-608-36 | 9270-1079 | 76 | 23.94 | .22 |

Poly Chain® GT® Carbon™ Belts - 5M

The original Poly Chain GT Carbon belt construction utilizes a polyurethane body combined with carbon tensile cords for increased capacity and performance.

Markets/Applications

All industrial markets requiring high-density power. Especially targeted toward machine tool, roller chain, small conveyors and compact drives where space is a problem.

Features/Advantages

- Robust **carbon tensile cord** combines minimal stretch with extraordinary strength and load carrying capacity, while absorbing shock and surge loads.
- Durable **polyurethane construction** resists chemicals, oil, pollutants, and abrasion.
- **Nylon tooth facing** reduces friction and eliminates the need for lubrication.
- Gates **patented tooth profile** provides high shear strength, noise reduction, and improved load carrying capacity.
- Fully operational in temperature extremes of -65°F to +185°F (-54°C to +85°C).

Recommended Sprockets

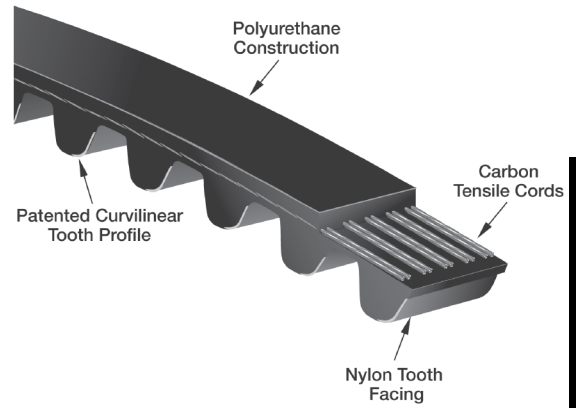
PowerGrip® GT®2 and Poly Chain® GT® Sprockets

Notes

5M Poly Chain GT Carbon part numbers are comprised of pitch, pitch length and width. For example; part number 5MGT-425-15 denotes a 5mm pitch, 425mm pitch length and 15mm width.

Belt **pitch** is the distance in millimeters between two adjacent tooth centers as measured on the pitch line of the belt. Belt **pitch length** is the total length (circumference) in millimeters as measured along the pitch line. The theoretical pitch line of a Poly Chain GT Carbon belt lies within the tensile member.

WARNING: 5M Poly Chain GT Carbon belts must be used with 5MGT sprockets. Consult your local Gates Field Representative for drive design assistance.



POLY CHAIN BELTS

Product No. Series 9270

5mm Pitch — 9mm Wide

| Part No. | Product No. | Number of Teeth | Pitch Length (in) | Weight (Lbs.) | Part No. | Product No. | Number of Teeth | Pitch Length (in) | Weight (Lbs.) |
|-------------|-------------|-----------------|-------------------|---------------|-------------|-------------|-----------------|-------------------|---------------|
| 5MGT-300-09 | 9270-5700 | 60 | 11.81 | .03 | 5MGT-535-09 | 9270-5720 | 107 | 21.06 | .06 |
| 5MGT-375-09 | 9270-5200 | 75 | 14.76 | .04 | 5MGT-600-09 | 9270-5500 | 120 | 23.62 | .07 |
| 5MGT-425-09 | 9270-5400 | 85 | 16.73 | .05 | 5MGT-815-09 | 9270-5600 | 163 | 32.09 | .09 |

5mm Pitch — 15mm Wide

| Part No. | Product No. | Number of Teeth | Pitch Length (in) | Weight (Lbs.) | Part No. | Product No. | Number of Teeth | Pitch Length (in) | Weight (Lbs.) |
|-------------|-------------|-----------------|-------------------|---------------|-------------|-------------|-----------------|-------------------|---------------|
| 5MGT-300-15 | 9270-5680 | 60 | 11.81 | .03 | 5MGT-535-15 | 9270-5730 | 107 | 21.06 | .06 |
| 5MGT-375-15 | 9270-5250 | 75 | 14.76 | .04 | 5MGT-600-15 | 9270-5525 | 120 | 23.62 | .07 |
| 5MGT-425-15 | 9270-5425 | 85 | 16.73 | .04 | 5MGT-815-15 | 9270-5625 | 163 | 32.09 | .09 |

5mm Pitch — 25mm Wide

| Part No. | Product No. | Number of Teeth | Pitch Length (in) | Weight (Lbs.) | Part No. | Product No. | Number of Teeth | Pitch Length (in) | Weight (Lbs.) |
|-------------|-------------|-----------------|-------------------|---------------|-------------|-------------|-----------------|-------------------|---------------|
| 5MGT-300-25 | 9270-5710 | 60 | 11.81 | .04 | 5MGT-535-25 | 9270-5740 | 107 | 21.06 | .09 |
| 5MGT-375-25 | 9270-5300 | 75 | 14.76 | .06 | 5MGT-600-25 | 9270-5550 | 120 | 23.62 | .10 |
| 5MGT-425-25 | 9270-5450 | 85 | 16.73 | .07 | 5MGT-815-25 | 9270-5650 | 163 | 32.09 | .15 |

Poly Chain® HTD® Belts

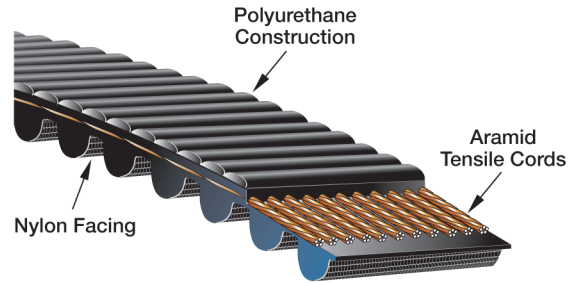
Gates original HTD tooth profile combined with Poly Chain belt construction.

Markets/Applications

Suitable for replacement of HTD belts in HTD sprockets.

Features/Advantages

- The durable **polyurethane body** resists chemicals, oil, pollutants, and abrasion.
- Robust **aramid tensile cords** combine minimal stretch with extraordinary strength.
- **Nylon tooth facing** provides durable wear surface for long life.



Recommended Sprockets

Contact the Gates Made-To-Order Metals Team.

Notes

Poly Chain HTD Belts are Made-To-Order. Minimum order quantities and manufacturing lead times may apply. Contact Customer Service for availability.

Poly Chain HTD part numbers are comprised of pitch, pitch length and width. For example; part number PC1190-14M-55 denotes "PC" for Poly Chain, 1190mm pitch length, 14mm pitch and 55mm width.

Belt **pitch** is the distance in millimeters between two adjacent tooth centers as measured on the pitch line of the belt. Belt **pitch length** is the total length (circumference) in millimeters as measured along the pitch line. The theoretical pitch line of a Poly Chain HTD belt lies within the tensile member.

POLY CHAIN BELTS

Product No. Series 9258

14mm Pitch — 20mm Wide

| Part No. | Product No. | Number of Teeth | Pitch Length (in) | Weight (Lbs.) |
|---------------|-------------|-----------------|-------------------|---------------|
| PC966-14M-20 | 9258-0080 | 69 | 38.03 | .35 |
| PC1190-14M-20 | 9258-0087 | 85 | 46.85 | .44 |
| PC1400-14M-20 | 9258-0094 | 100 | 55.12 | .51 |
| PC1610-14M-20 | 9258-0101 | 115 | 63.38 | .59 |
| PC1778-14M-20 | 9258-0108 | 127 | 70.00 | .65 |
| PC1890-14M-20 | 9258-0115 | 135 | 74.40 | .69 |
| PC2100-14M-20 | 9258-0122 | 150 | 82.67 | .77 |
| PC2310-14M-20 | 9258-0129 | 165 | 90.94 | .84 |

14mm Pitch — 55mm Wide

| Part No. | Product No. | Number of Teeth | Pitch Length (in) | Weight (Lbs.) |
|---------------|-------------|-----------------|-------------------|---------------|
| PC966-14M-55 | 9258-0083 | 69 | 38.03 | .97 |
| PC1190-14M-55 | 9258-0090 | 85 | 46.85 | 1.20 |
| PC1400-14M-55 | 9258-0097 | 100 | 55.12 | 1.41 |
| PC1610-14M-55 | 9258-0104 | 115 | 63.38 | 1.62 |
| PC1778-14M-55 | 9258-0111 | 127 | 70.00 | 1.79 |
| PC1890-14M-55 | 9258-0118 | 135 | 74.40 | 1.90 |
| PC2100-14M-55 | 9258-0125 | 150 | 82.67 | 2.11 |
| PC2310-14M-55 | 9258-0132 | 165 | 90.94 | 2.32 |

14mm Pitch — 30mm Wide

| Part No. | Product No. | Number of Teeth | Pitch Length (in) | Weight (Lbs.) |
|---------------|-------------|-----------------|-------------------|---------------|
| PC966-14M-30 | 9258-0081 | 69 | 38.03 | .53 |
| PC1190-14M-30 | 9258-0088 | 85 | 46.85 | .60 |
| PC1400-14M-30 | 9258-0095 | 100 | 55.12 | .77 |
| PC1610-14M-30 | 9258-0102 | 115 | 63.38 | .88 |
| PC1778-14M-30 | 9258-0109 | 127 | 70.00 | .98 |
| PC1890-14M-30 | 9258-0116 | 135 | 74.40 | 1.04 |
| PC2100-14M-30 | 9258-0123 | 150 | 82.67 | 1.15 |
| PC2310-14M-30 | 9258-0130 | 165 | 90.94 | 1.27 |

14mm Pitch — 85mm Wide

| Part No. | Product No. | Number of Teeth | Pitch Length (in) | Weight (Lbs.) |
|---------------|-------------|-----------------|-------------------|---------------|
| PC966-14M-85 | 9258-0084 | 69 | 38.03 | 1.50 |
| PC1190-14M-85 | 9258-0091 | 85 | 46.85 | 1.85 |
| PC1400-14M-85 | 9258-0098 | 100 | 55.12 | 2.18 |
| PC1610-14M-85 | 9258-0105 | 115 | 63.38 | 2.50 |
| PC1778-14M-85 | 9258-0112 | 127 | 70.00 | 2.76 |
| PC1890-14M-85 | 9258-0119 | 135 | 74.40 | 2.94 |
| PC2100-14M-85 | 9258-0126 | 150 | 82.67 | 3.27 |
| PC2310-14M-85 | 9258-0133 | 165 | 90.94 | 3.59 |

14mm Pitch — 40mm Wide

| Part No. | Product No. | Number of Teeth | Pitch Length (in) | Weight (Lbs.) |
|---------------|-------------|-----------------|-------------------|---------------|
| PC966-14M-40 | 9258-0082 | 69 | 38.03 | .71 |
| PC1190-14M-40 | 9258-0089 | 85 | 46.85 | .87 |
| PC1400-14M-40 | 9258-0096 | 100 | 55.12 | 1.02 |
| PC1610-14M-40 | 9258-0103 | 115 | 63.38 | 1.18 |
| PC1778-14M-40 | 9258-0110 | 127 | 70.00 | 1.30 |
| PC1890-14M-40 | 9258-0117 | 135 | 74.40 | 1.38 |
| PC2100-14M-40 | 9258-0124 | 150 | 82.67 | 1.54 |
| PC2310-14M-40 | 9258-0131 | 165 | 90.94 | 1.69 |

14mm Pitch — 115mm Wide

| Part No. | Product No. | Number of Teeth | Pitch Length (in) | Weight (Lbs.) |
|----------------|-------------|-----------------|-------------------|---------------|
| PC966-14M-115 | 9258-0085 | 69 | 38.03 | 2.03 |
| PC1190-14M-115 | 9258-0092 | 85 | 46.85 | 2.50 |
| PC1400-14M-115 | 9258-0099 | 100 | 55.12 | 2.95 |
| PC1610-14M-115 | 9258-0106 | 115 | 63.38 | 3.39 |
| PC1778-14M-115 | 9258-0113 | 127 | 70.00 | 3.74 |
| PC1890-14M-115 | 9258-0120 | 135 | 74.40 | 4.00 |
| PC2100-14M-115 | 9258-0127 | 150 | 82.67 | 4.42 |
| PC2310-14M-115 | 9258-0134 | 165 | 90.94 | 4.86 |

Poly Chain[®] HTD[®] Belts

Product No. Series 9258 *(continued)*

14mm Pitch — 170mm Wide

| Part No. | Product No. | Number of Teeth | Pitch Length (in) | Weight (Lbs.) |
|----------------|-------------|-----------------|-------------------|---------------|
| PC966-14M-170 | 9258-0086 | 69 | 38.03 | 3.00 |
| PC1190-14M-170 | 9258-0093 | 85 | 46.85 | 3.70 |
| PC1400-14M-170 | 9258-0100 | 100 | 55.12 | 4.35 |
| PC1610-14M-170 | 9258-0107 | 115 | 63.38 | 5.01 |
| PC1778-14M-170 | 9258-0114 | 127 | 70.00 | 5.53 |
| PC1890-14M-170 | 9258-0121 | 135 | 74.40 | 5.88 |
| PC2100-14M-170 | 9258-0128 | 150 | 82.67 | 6.53 |
| PC2310-14M-170 | 9258-0135 | 165 | 90.94 | 7.19 |

PowerGrip® TruMotion® Belts

The new PowerGrip TruMotion belts are available in all of Gates light duty synchronous pitches:

PowerGrip GT TruMotion Belts: 2MR, 3MR and 5MR

PowerGrip TruMotion Belts: 3M and 5M

PowerGrip Timing Belts: MXL, XL and L

Markets/Applications

The TruMotion belt construction utilizes a clean white polymer and a polymer free nylon tooth surface, resulting in minimal dusting. This makes it ideal for many applications including data storage equipment, printers, plotters, medical equipment, food processors, money handling, copiers and other office equipment.

Features/Advantages

- **Fiberglass tensile cord** provides excellent flex life, and high resistance to elongation.
- The **white polymer rubber body** provides a non marking, cleaner running construction.
- The **polymer free nylon tooth facing** provides a durable wear surface for longer service life and lower noise levels.

Recommended Sprockets

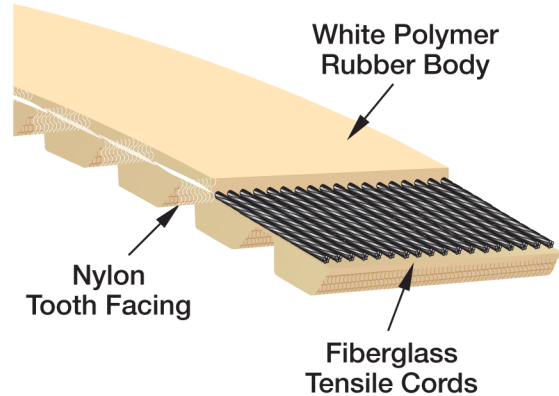
PowerGrip GT TruMotion Belts: PowerGrip® GT®2 Sprockets

PowerGrip HTD TruMotion Belts: PowerGrip® HTD® Sprockets

PowerGrip Timing TruMotion Belts: PowerGrip® Timing Pulleys

Notes

PowerGrip TruMotion belts are made-to-order. Minimum order quantities of 3 drums will be required. Check with Customer Service for price and availability.



Product No. Series 9581

PowerGrip® GT® TruMotion® Belts

| Available Pitches |
|-------------------|
| 2MR |
| 3MR |
| 5MR |

Product No. Series 9582

PowerGrip® Timing TruMotion® Belts

| Available Pitches |
|-------------------|
| MXL |
| XL |
| L |

Product No. Series 9580

PowerGrip® HTD® TruMotion® Belts

| Available Pitches |
|-------------------|
| 3M |
| 5M |

PowerGrip® GT[®]3 Belts - 2M and 3M

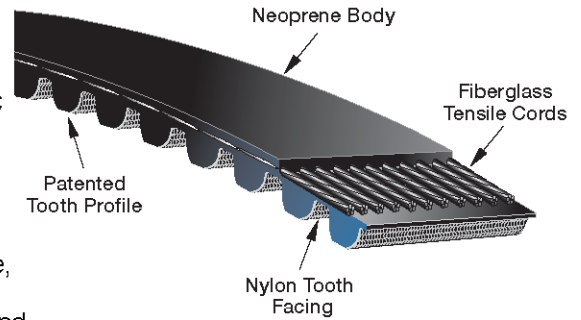
The PowerGrip GT3 belt has twice the load carrying capacity of its predecessor HTD[®]. In addition, less width is required compared to HTD, allowing lighter, more compact drives.

Markets/Applications

PowerGrip GT3 belts are suitable for many applications including data storage, machine tool, hand power tools, postage handling, DC Stepper/Servo, food processors, office machines, centrifuges, money handling, medical diagnostic, sewing machines, ticket dispensers, robotics, vending machines and vacuum cleaners.

Features/Advantages

- **Fiberglass tensile cord** provides high strength, excellent flex life, and high resistance to elongation.
- **Neoprene body** provides protection against grime, grease, oil, and moisture.
- **Nylon tooth facing** provides a durable wear surface for long service life.
- Gates **patented tooth profile** is designed for use with a specific sprocket groove profile. The sprocket groove-belt tooth combination increases capacity, while improving registration.
- PowerGrip GT3 exceeds HTD in tooth ratchet resistance.
- Eliminates lubrication and re-tensioning reduce maintenance and labor as compared to roller chain drives.
- PowerGrip GT3 belt and GT[®]2 Sprocket combinations match or exceed the positional accuracy of PowerGrip[®] Timing belt/pulley systems.



Recommended Sprockets

PowerGrip[®] GT[®]2 Sprockets

Notes

PowerGrip GT3 part numbers are comprised of pitch, pitch length and width. For example; part number 100-2MGT-04 denotes a 100mm pitch length, 2mm pitch and 4mm width.

Belt **pitch** is the distance in millimeters between two adjacent tooth centers as measured on the pitch line of the belt. Belt **pitch length** is the total length (circumference) in millimeters as measured along the pitch line. The theoretical pitch line of a PowerGrip GT3 belt lies within the tensile member.

Product No. Series 9400

2mm Pitch — 4mm Wide

| Part No. | Product No. | Number of Teeth | Pitch Length (in) | Weight (Lbs.) | Part No. | Product No. | Number of Teeth | Pitch Length (in) | Weight (Lbs.) |
|-------------|-------------|-----------------|-------------------|---------------|-------------|-------------|-----------------|-------------------|---------------|
| 100-2MGT-04 | 9400-0050 | 50 | 3.94 | .01 | 236-2MGT-04 | 9400-0118 | 118 | 9.29 | .01 |
| 112-2MGT-04 | 9400-0056 | 56 | 4.41 | .01 | 240-2MGT-04 | 9400-0120 | 120 | 9.45 | .01 |
| 124-2MGT-04 | 9400-0062 | 62 | 4.88 | .01 | 250-2MGT-04 | 9400-0125 | 125 | 9.84 | .01 |
| 126-2MGT-04 | 9400-0063 | 63 | 4.96 | .01 | 252-2MGT-04 | 9400-0126 | 126 | 9.92 | .01 |
| 134-2MGT-04 | 9400-0067 | 67 | 5.28 | .01 | 258-2MGT-04 | 9400-0129 | 129 | 10.16 | .01 |
| 136-2MGT-04 | 9400-0068 | 68 | 5.35 | .01 | 278-2MGT-04 | 9400-0139 | 139 | 10.94 | .01 |
| 140-2MGT-04 | 9400-0070 | 70 | 5.51 | .01 | 280-2MGT-04 | 9400-0140 | 140 | 11.02 | .01 |
| 152-2MGT-04 | 9400-0076 | 76 | 5.98 | .01 | 300-2MGT-04 | 9400-0150 | 150 | 11.81 | .01 |
| 158-2MGT-04 | 9400-0079 | 79 | 6.22 | .01 | 320-2MGT-04 | 9400-0160 | 160 | 12.60 | .01 |
| 160-2MGT-04 | 9400-0080 | 80 | 6.30 | .01 | 322-2MGT-04 | 9400-0161 | 161 | 12.68 | .01 |
| 164-2MGT-04 | 9400-0082 | 82 | 6.46 | .01 | 332-2MGT-04 | 9400-0166 | 166 | 13.07 | .01 |
| 166-2MGT-04 | 9400-0083 | 83 | 6.54 | .01 | 346-2MGT-04 | 9400-0173 | 173 | 13.62 | .01 |
| 168-2MGT-04 | 9400-0084 | 84 | 6.61 | .01 | 350-2MGT-04 | 9400-0175 | 175 | 13.78 | .01 |
| 172-2MGT-04 | 9400-0086 | 86 | 6.77 | .01 | 364-2MGT-04 | 9400-0182 | 182 | 14.33 | .01 |
| 180-2MGT-04 | 9400-0090 | 90 | 7.09 | .01 | 370-2MGT-04 | 9400-0185 | 185 | 14.57 | .01 |
| 186-2MGT-04 | 9400-0093 | 93 | 7.32 | .01 | 380-2MGT-04 | 9400-0190 | 190 | 14.96 | .01 |
| 192-2MGT-04 | 9400-0096 | 96 | 7.56 | .01 | 386-2MGT-04 | 9400-0193 | 193 | 15.20 | .01 |
| 200-2MGT-04 | 9400-0100 | 100 | 7.87 | .01 | 400-2MGT-04 | 9400-0200 | 200 | 15.75 | .01 |
| 202-2MGT-04 | 9400-0101 | 101 | 7.95 | .01 | 406-2MGT-04 | 9400-0203 | 203 | 15.98 | .01 |
| 210-2MGT-04 | 9400-0105 | 105 | 8.27 | .01 | 420-2MGT-04 | 9400-0210 | 210 | 16.54 | .01 |
| 212-2MGT-04 | 9400-0106 | 106 | 8.35 | .01 | 456-2MGT-04 | 9400-0228 | 228 | 17.95 | .01 |
| 216-2MGT-04 | 9400-0108 | 108 | 8.50 | .01 | 470-2MGT-04 | 9400-0235 | 235 | 18.50 | .01 |
| 220-2MGT-04 | 9400-0110 | 110 | 8.66 | .01 | 474-2MGT-04 | 9400-0237 | 237 | 18.66 | .01 |
| 232-2MGT-04 | 9400-0116 | 116 | 9.13 | .01 | 488-2MGT-04 | 9400-0244 | 244 | 19.21 | .01 |

PowerGrip® GT®3 Belts - 2M and 3M

Product No. Series 9400 (continued)

2mm Pitch — 4mm Wide (continued)

| Part No. | Product No. | Number of Teeth | Pitch Length (in) | Weight (Lbs.) | Part No. | Product No. | Number of Teeth | Pitch Length (in) | Weight (Lbs.) |
|-------------|-------------|-----------------|-------------------|---------------|--------------|-------------|-----------------|-------------------|---------------|
| 504-2MGT-04 | 9400-0252 | 252 | 19.84 | .01 | 640-2MGT-04 | 9400-0320 | 320 | 25.20 | .02 |
| 528-2MGT-04 | 9400-0264 | 264 | 20.79 | .01 | 696-2MGT-04 | 9400-0348 | 348 | 27.40 | .02 |
| 552-2MGT-04 | 9400-0276 | 276 | 21.73 | .01 | 744-2MGT-04 | 9400-0372 | 372 | 29.29 | .02 |
| 576-2MGT-04 | 9400-0288 | 288 | 22.68 | .01 | 848-2MGT-04 | 9400-0424 | 424 | 33.39 | .02 |
| 600-2MGT-04 | 9400-0300 | 300 | 23.62 | .01 | 1164-2MGT-04 | 9400-0582 | 582 | 45.83 | .03 |

2mm Pitch — 6mm Wide

| Part No. | Product No. | Number of Teeth | Pitch Length (in) | Weight (Lbs.) | Part No. | Product No. | Number of Teeth | Pitch Length (in) | Weight (Lbs.) |
|-------------|-------------|-----------------|-------------------|---------------|--------------|-------------|-----------------|-------------------|---------------|
| 100-2MGT-06 | 9400-1050 | 50 | 3.94 | .01 | 278-2MGT-06 | 9400-1139 | 139 | 10.94 | .01 |
| 112-2MGT-06 | 9400-1056 | 56 | 4.41 | .01 | 280-2MGT-06 | 9400-1140 | 140 | 11.02 | .01 |
| 124-2MGT-06 | 9400-1062 | 62 | 4.88 | .01 | 300-2MGT-06 | 9400-1150 | 150 | 11.81 | .01 |
| 126-2MGT-06 | 9400-1063 | 63 | 4.96 | .01 | 320-2MGT-06 | 9400-1160 | 160 | 12.60 | .01 |
| 134-2MGT-06 | 9400-1067 | 67 | 5.28 | .01 | 322-2MGT-06 | 9400-1161 | 161 | 12.68 | .01 |
| 136-2MGT-06 | 9400-1068 | 68 | 5.35 | .01 | 332-2MGT-06 | 9400-1166 | 166 | 13.07 | .01 |
| 140-2MGT-06 | 9400-1070 | 70 | 5.51 | .01 | 346-2MGT-06 | 9400-1173 | 173 | 13.62 | .01 |
| 152-2MGT-06 | 9400-1076 | 76 | 5.98 | .01 | 350-2MGT-06 | 9400-1175 | 175 | 13.78 | .01 |
| 158-2MGT-06 | 9400-1079 | 79 | 6.22 | .01 | 364-2MGT-06 | 9400-1182 | 182 | 14.33 | .01 |
| 160-2MGT-06 | 9400-1080 | 80 | 6.30 | .01 | 370-2MGT-06 | 9400-1185 | 185 | 14.57 | .01 |
| 164-2MGT-06 | 9400-1082 | 82 | 6.46 | .01 | 380-2MGT-06 | 9400-1190 | 190 | 14.96 | .01 |
| 166-2MGT-06 | 9400-1083 | 83 | 6.54 | .01 | 386-2MGT-06 | 9400-1193 | 193 | 15.20 | .01 |
| 168-2MGT-06 | 9400-1084 | 84 | 6.61 | .01 | 400-2MGT-06 | 9400-1200 | 200 | 15.75 | .01 |
| 172-2MGT-06 | 9400-1086 | 86 | 6.77 | .01 | 406-2MGT-06 | 9400-1203 | 203 | 15.98 | .01 |
| 180-2MGT-06 | 9400-1090 | 90 | 7.09 | .01 | 420-2MGT-06 | 9400-1210 | 210 | 16.54 | .01 |
| 186-2MGT-06 | 9400-1093 | 93 | 7.32 | .01 | 456-2MGT-06 | 9400-1228 | 228 | 17.95 | .01 |
| 192-2MGT-06 | 9400-1096 | 96 | 7.56 | .01 | 470-2MGT-06 | 9400-1235 | 235 | 18.50 | .01 |
| 200-2MGT-06 | 9400-1100 | 100 | 7.87 | .01 | 474-2MGT-06 | 9400-1237 | 237 | 18.66 | .01 |
| 202-2MGT-06 | 9400-1101 | 101 | 7.95 | .01 | 488-2MGT-06 | 9400-1244 | 244 | 19.21 | .01 |
| 210-2MGT-06 | 9400-1105 | 105 | 8.27 | .01 | 504-2MGT-06 | 9400-1252 | 252 | 19.84 | .01 |
| 212-2MGT-06 | 9400-1106 | 106 | 8.35 | .01 | 528-2MGT-06 | 9400-1264 | 264 | 20.79 | .01 |
| 216-2MGT-06 | 9400-1108 | 108 | 8.50 | .01 | 552-2MGT-06 | 9400-1276 | 276 | 21.73 | .01 |
| 220-2MGT-06 | 9400-1110 | 110 | 8.66 | .01 | 576-2MGT-06 | 9400-1288 | 288 | 22.68 | .02 |
| 232-2MGT-06 | 9400-1116 | 116 | 9.13 | .01 | 600-2MGT-06 | 9400-1300 | 300 | 23.62 | .02 |
| 236-2MGT-06 | 9400-1118 | 118 | 9.29 | .01 | 640-2MGT-06 | 9400-1320 | 320 | 25.20 | .02 |
| 240-2MGT-06 | 9400-1120 | 120 | 9.45 | .01 | 696-2MGT-06 | 9400-1348 | 348 | 27.40 | .02 |
| 250-2MGT-06 | 9400-1125 | 125 | 9.84 | .01 | 744-2MGT-06 | 9400-1372 | 372 | 29.29 | .03 |
| 252-2MGT-06 | 9400-1126 | 126 | 9.92 | .01 | 848-2MGT-06 | 9400-1424 | 424 | 33.39 | .03 |
| 258-2MGT-06 | 9400-1129 | 129 | 10.16 | .01 | 1164-2MGT-06 | 9400-1582 | 582 | 45.83 | .04 |

2mm Pitch — 9mm Wide

| Part No. | Product No. | Number of Teeth | Pitch Length (in) | Weight (Lbs.) | Part No. | Product No. | Number of Teeth | Pitch Length (in) | Weight (Lbs.) |
|-------------|-------------|-----------------|-------------------|---------------|-------------|-------------|-----------------|-------------------|---------------|
| 100-2MGT-09 | 9400-2050 | 50 | 3.94 | .01 | 186-2MGT-09 | 9400-2093 | 93 | 7.32 | .01 |
| 112-2MGT-09 | 9400-2056 | 56 | 4.41 | .01 | 192-2MGT-09 | 9400-2096 | 96 | 7.56 | .01 |
| 124-2MGT-09 | 9400-2062 | 62 | 4.88 | .01 | 200-2MGT-09 | 9400-2100 | 100 | 7.87 | .01 |
| 126-2MGT-09 | 9400-2063 | 63 | 4.96 | .01 | 202-2MGT-09 | 9400-2101 | 101 | 7.95 | .01 |
| 134-2MGT-09 | 9400-2067 | 67 | 5.28 | .01 | 210-2MGT-09 | 9400-2105 | 105 | 8.27 | .01 |
| 136-2MGT-09 | 9400-2068 | 68 | 5.35 | .01 | 212-2MGT-09 | 9400-2106 | 106 | 8.35 | .01 |
| 140-2MGT-09 | 9400-2070 | 70 | 5.51 | .01 | 216-2MGT-09 | 9400-2108 | 108 | 8.50 | .01 |
| 152-2MGT-09 | 9400-2076 | 76 | 5.98 | .01 | 220-2MGT-09 | 9400-2110 | 110 | 8.66 | .01 |
| 158-2MGT-09 | 9400-2079 | 79 | 6.22 | .01 | 232-2MGT-09 | 9400-2116 | 116 | 9.13 | .01 |
| 160-2MGT-09 | 9400-2080 | 80 | 6.30 | .01 | 236-2MGT-09 | 9400-2118 | 118 | 9.29 | .01 |
| 164-2MGT-09 | 9400-2082 | 82 | 6.46 | .01 | 240-2MGT-09 | 9400-2120 | 120 | 9.45 | .01 |
| 166-2MGT-09 | 9400-2083 | 83 | 6.54 | .01 | 250-2MGT-09 | 9400-2125 | 125 | 9.84 | .01 |
| 168-2MGT-09 | 9400-2084 | 84 | 6.61 | .01 | 252-2MGT-09 | 9400-2126 | 126 | 9.92 | .01 |
| 172-2MGT-09 | 9400-2086 | 86 | 6.77 | .01 | 258-2MGT-09 | 9400-2129 | 129 | 10.16 | .01 |
| 180-2MGT-09 | 9400-2090 | 90 | 7.09 | .01 | 278-2MGT-09 | 9400-2139 | 139 | 10.94 | .01 |

POWERGRIP GT3 BELTS

PowerGrip® GT®3 Belts - 2M and 3M

Product No. Series 9400 (continued)

2mm Pitch — 9mm Wide (continued)

| Part No. | Product No. | Number of Teeth | Pitch Length (in) | Weight (Lbs.) | Part No. | Product No. | Number of Teeth | Pitch Length (in) | Weight (Lbs.) |
|-------------|-------------|-----------------|-------------------|---------------|--------------|-------------|-----------------|-------------------|---------------|
| 280-2MGT-09 | 9400-2140 | 140 | 11.02 | .01 | 456-2MGT-09 | 9400-2228 | 228 | 17.95 | .02 |
| 300-2MGT-09 | 9400-2150 | 150 | 11.81 | .01 | 470-2MGT-09 | 9400-2235 | 235 | 18.50 | .02 |
| 320-2MGT-09 | 9400-2160 | 160 | 12.60 | .01 | 474-2MGT-09 | 9400-2237 | 237 | 18.66 | .02 |
| 322-2MGT-09 | 9400-2161 | 161 | 12.68 | .01 | 488-2MGT-09 | 9400-2244 | 244 | 19.21 | .02 |
| 332-2MGT-09 | 9400-2166 | 166 | 13.07 | .01 | 504-2MGT-09 | 9400-2252 | 252 | 19.84 | .02 |
| 346-2MGT-09 | 9400-2173 | 173 | 13.62 | .01 | 528-2MGT-09 | 9400-2264 | 264 | 20.79 | .02 |
| 350-2MGT-09 | 9400-2175 | 175 | 13.78 | .01 | 552-2MGT-09 | 9400-2276 | 276 | 21.73 | .02 |
| 364-2MGT-09 | 9400-2182 | 182 | 14.33 | .02 | 576-2MGT-09 | 9400-2288 | 288 | 22.68 | .02 |
| 370-2MGT-09 | 9400-2185 | 185 | 14.57 | .02 | 600-2MGT-09 | 9400-2300 | 300 | 23.62 | .03 |
| 380-2MGT-09 | 9400-2190 | 190 | 14.96 | .02 | 640-2MGT-09 | 9400-2320 | 320 | 25.20 | .03 |
| 386-2MGT-09 | 9400-2193 | 193 | 15.20 | .02 | 696-2MGT-09 | 9400-2348 | 348 | 27.40 | .03 |
| 400-2MGT-09 | 9400-2200 | 200 | 15.75 | .02 | 744-2MGT-09 | 9400-2372 | 372 | 29.29 | .03 |
| 406-2MGT-09 | 9400-2203 | 203 | 15.98 | .02 | 848-2MGT-09 | 9400-2424 | 424 | 33.39 | .04 |
| 420-2MGT-09 | 9400-2210 | 210 | 16.54 | .02 | 1164-2MGT-09 | 9400-2582 | 582 | 45.83 | .04 |

3mm Pitch — 6mm Wide

| Part No. | Product No. | Number of Teeth | Pitch Length (in) | Weight (Lbs.) | Part No. | Product No. | Number of Teeth | Pitch Length (in) | Weight (Lbs.) |
|-------------|-------------|-----------------|-------------------|---------------|--------------|-------------|-----------------|-------------------|---------------|
| 099-3MGT-06 | 9400-3033 | 33 | 3.90 | .01 | 414-3MGT-06 | 9400-3138 | 138 | 16.30 | .02 |
| 111-3MGT-06 | 9400-3037 | 37 | 4.37 | .01 | 420-3MGT-06 | 9400-3140 | 140 | 16.54 | .02 |
| 123-3MGT-06 | 9400-3041 | 41 | 4.84 | .01 | 447-3MGT-06 | 9400-3149 | 149 | 17.60 | .02 |
| 129-3MGT-06 | 9400-3043 | 43 | 5.08 | .01 | 450-3MGT-06 | 9400-3150 | 150 | 17.72 | .02 |
| 159-3MGT-06 | 9400-3053 | 53 | 6.26 | .01 | 474-3MGT-06 | 9400-3158 | 158 | 18.66 | .02 |
| 165-3MGT-06 | 9400-3055 | 55 | 6.50 | .01 | 480-3MGT-06 | 9400-3160 | 160 | 18.90 | .02 |
| 180-3MGT-06 | 9400-3060 | 60 | 7.09 | .01 | 483-3MGT-06 | 9400-3161 | 161 | 19.02 | .02 |
| 183-3MGT-06 | 9400-3061 | 61 | 7.20 | .01 | 489-3MGT-06 | 9400-3163 | 163 | 19.25 | .02 |
| 189-3MGT-06 | 9400-3063 | 63 | 7.44 | .01 | 504-3MGT-06 | 9400-3168 | 168 | 19.84 | .02 |
| 201-3MGT-06 | 9400-3067 | 67 | 7.91 | .01 | 537-3MGT-06 | 9400-3179 | 179 | 21.14 | .02 |
| 219-3MGT-06 | 9400-3073 | 73 | 8.62 | .01 | 552-3MGT-06 | 9400-3184 | 184 | 21.73 | .02 |
| 225-3MGT-06 | 9400-3075 | 75 | 8.86 | .01 | 564-3MGT-06 | 9400-3188 | 188 | 22.20 | .02 |
| 240-3MGT-06 | 9400-3080 | 80 | 9.45 | .01 | 600-3MGT-06 | 9400-3200 | 200 | 23.62 | .02 |
| 243-3MGT-06 | 9400-3081 | 81 | 9.57 | .01 | 630-3MGT-06 | 9400-3210 | 210 | 24.80 | .02 |
| 255-3MGT-06 | 9400-3085 | 85 | 10.04 | .01 | 684-3MGT-06 | 9400-3228 | 228 | 26.93 | .03 |
| 267-3MGT-06 | 9400-3089 | 89 | 10.51 | .01 | 735-3MGT-06 | 9400-3245 | 245 | 28.94 | .03 |
| 282-3MGT-06 | 9400-3094 | 94 | 11.10 | .01 | 750-3MGT-06 | 9400-3250 | 250 | 29.53 | .03 |
| 291-3MGT-06 | 9400-3097 | 97 | 11.46 | .01 | 786-3MGT-06 | 9400-3262 | 262 | 30.94 | .03 |
| 300-3MGT-06 | 9400-3100 | 100 | 11.81 | .01 | 840-3MGT-06 | 9400-3280 | 280 | 33.07 | .03 |
| 339-3MGT-06 | 9400-3113 | 113 | 13.35 | .01 | 945-3MGT-06 | 9400-3315 | 315 | 37.20 | .03 |
| 348-3MGT-06 | 9400-3116 | 116 | 13.70 | .01 | 1050-3MGT-06 | 9400-3350 | 350 | 41.34 | .04 |
| 357-3MGT-06 | 9400-3119 | 119 | 14.06 | .01 | 1080-3MGT-06 | 9400-3360 | 360 | 42.52 | .04 |
| 360-3MGT-06 | 9400-3120 | 120 | 14.17 | .01 | 1536-3MGT-06 | 9400-3512 | 512 | 60.47 | .06 |
| 375-3MGT-06 | 9400-3125 | 125 | 14.76 | .02 | 1587-3MGT-06 | 9400-3529 | 529 | 62.48 | .06 |
| 393-3MGT-06 | 9400-3131 | 131 | 15.47 | .02 | 2061-3MGT-06 | 9400-3687 | 687 | 81.14 | .07 |

3mm Pitch — 9mm Wide

| Part No. | Product No. | Number of Teeth | Pitch Length (in) | Weight (Lbs.) | Part No. | Product No. | Number of Teeth | Pitch Length (in) | Weight (Lbs.) |
|-------------|-------------|-----------------|-------------------|---------------|-------------|-------------|-----------------|-------------------|---------------|
| 099-3MGT-09 | 9400-4033 | 33 | 3.90 | .01 | 219-3MGT-09 | 9400-4073 | 73 | 8.62 | .01 |
| 111-3MGT-09 | 9400-4037 | 37 | 4.37 | .01 | 225-3MGT-09 | 9400-4075 | 75 | 8.86 | .01 |
| 123-3MGT-09 | 9400-4041 | 41 | 4.84 | .01 | 240-3MGT-09 | 9400-4080 | 80 | 9.45 | .01 |
| 129-3MGT-09 | 9400-4043 | 43 | 5.08 | .01 | 243-3MGT-09 | 9400-4081 | 81 | 9.57 | .01 |
| 159-3MGT-09 | 9400-4053 | 53 | 6.26 | .01 | 255-3MGT-09 | 9400-4085 | 85 | 10.04 | .01 |
| 165-3MGT-09 | 9400-4055 | 55 | 6.50 | .01 | 267-3MGT-09 | 9400-4089 | 89 | 10.51 | .01 |
| 180-3MGT-09 | 9400-4060 | 60 | 7.09 | .01 | 282-3MGT-09 | 9400-4094 | 94 | 11.10 | .02 |
| 183-3MGT-09 | 9400-4061 | 61 | 7.20 | .01 | 291-3MGT-09 | 9400-4097 | 97 | 11.46 | .02 |
| 189-3MGT-09 | 9400-4063 | 63 | 7.44 | .01 | 300-3MGT-09 | 9400-4100 | 100 | 11.81 | .02 |
| 201-3MGT-09 | 9400-4067 | 67 | 7.91 | .01 | 339-3MGT-09 | 9400-4113 | 113 | 13.35 | .02 |

POWERGRIP GT3 BELTS

PowerGrip® GT®3 Belts - 2M and 3M

Product No. Series 9400 (continued)

3mm Pitch — 9mm Wide (continued)

| Part No. | Product No. | Number of Teeth | Pitch Length (in) | Weight (Lbs.) | Part No. | Product No. | Number of Teeth | Pitch Length (in) | Weight (Lbs.) |
|-------------|-------------|-----------------|-------------------|---------------|--------------|-------------|-----------------|-------------------|---------------|
| 348-3MGT-09 | 9400-4116 | 116 | 13.70 | .02 | 552-3MGT-09 | 9400-4184 | 184 | 21.73 | .03 |
| 357-3MGT-09 | 9400-4119 | 119 | 14.06 | .02 | 564-3MGT-09 | 9400-4188 | 188 | 22.20 | .03 |
| 360-3MGT-09 | 9400-4120 | 120 | 14.17 | .02 | 600-3MGT-09 | 9400-4200 | 200 | 23.62 | .03 |
| 375-3MGT-09 | 9400-4125 | 125 | 14.76 | .02 | 630-3MGT-09 | 9400-4210 | 210 | 24.80 | .03 |
| 393-3MGT-09 | 9400-4131 | 131 | 15.47 | .02 | 684-3MGT-09 | 9400-4228 | 228 | 26.93 | .04 |
| 414-3MGT-09 | 9400-4138 | 138 | 16.30 | .02 | 735-3MGT-09 | 9400-4245 | 245 | 28.94 | .04 |
| 420-3MGT-09 | 9400-4140 | 140 | 16.54 | .02 | 750-3MGT-09 | 9400-4250 | 250 | 29.53 | .04 |
| 447-3MGT-09 | 9400-4149 | 149 | 17.60 | .02 | 786-3MGT-09 | 9400-4262 | 262 | 30.94 | .04 |
| 450-3MGT-09 | 9400-4150 | 150 | 17.72 | .02 | 840-3MGT-09 | 9400-4280 | 280 | 33.07 | .04 |
| 474-3MGT-09 | 9400-4158 | 158 | 18.66 | .02 | 945-3MGT-09 | 9400-4315 | 315 | 37.20 | .05 |
| 480-3MGT-09 | 9400-4160 | 160 | 18.90 | .03 | 1050-3MGT-09 | 9400-4350 | 350 | 41.34 | .05 |
| 483-3MGT-09 | 9400-4161 | 161 | 19.02 | .03 | 1080-3MGT-09 | 9400-4360 | 360 | 42.52 | .06 |
| 489-3MGT-09 | 9400-4163 | 163 | 19.25 | .03 | 1536-3MGT-09 | 9400-4512 | 512 | 60.47 | .08 |
| 504-3MGT-09 | 9400-4168 | 168 | 19.84 | .03 | 1587-3MGT-09 | 9400-4529 | 529 | 62.48 | .08 |
| 537-3MGT-09 | 9400-4179 | 179 | 21.14 | .03 | 2061-3MGT-09 | 9400-4687 | 687 | 81.14 | .10 |

3mm Pitch — 15mm Wide

| Part No. | Product No. | Number of Teeth | Pitch Length (in) | Weight (Lbs.) | Part No. | Product No. | Number of Teeth | Pitch Length (in) | Weight (Lbs.) |
|-------------|-------------|-----------------|-------------------|---------------|--------------|-------------|-----------------|-------------------|---------------|
| 099-3MGT-15 | 9400-5033 | 33 | 3.90 | .01 | 414-3MGT-15 | 9400-5138 | 138 | 16.30 | .04 |
| 111-3MGT-15 | 9400-5037 | 37 | 4.37 | .01 | 420-3MGT-15 | 9400-5140 | 140 | 16.54 | .04 |
| 123-3MGT-15 | 9400-5041 | 41 | 4.84 | .01 | 447-3MGT-15 | 9400-5149 | 149 | 17.60 | .04 |
| 129-3MGT-15 | 9400-5043 | 43 | 5.08 | .02 | 450-3MGT-15 | 9400-5150 | 150 | 17.72 | .04 |
| 159-3MGT-15 | 9400-5053 | 53 | 6.26 | .02 | 474-3MGT-15 | 9400-5158 | 158 | 18.66 | .04 |
| 165-3MGT-15 | 9400-5055 | 55 | 6.50 | .02 | 480-3MGT-15 | 9400-5160 | 160 | 18.90 | .04 |
| 180-3MGT-15 | 9400-5060 | 60 | 7.09 | .02 | 483-3MGT-15 | 9400-5161 | 161 | 19.02 | .04 |
| 183-3MGT-15 | 9400-5061 | 61 | 7.20 | .02 | 489-3MGT-15 | 9400-5163 | 163 | 19.25 | .04 |
| 189-3MGT-15 | 9400-5063 | 63 | 7.44 | .02 | 504-3MGT-15 | 9400-5168 | 168 | 19.84 | .04 |
| 201-3MGT-15 | 9400-5067 | 67 | 7.91 | .02 | 537-3MGT-15 | 9400-5179 | 179 | 21.14 | .04 |
| 219-3MGT-15 | 9400-5073 | 73 | 8.62 | .02 | 552-3MGT-15 | 9400-5184 | 184 | 21.73 | .04 |
| 225-3MGT-15 | 9400-5075 | 75 | 8.86 | .02 | 564-3MGT-15 | 9400-5188 | 188 | 22.20 | .04 |
| 240-3MGT-15 | 9400-5080 | 80 | 9.45 | .02 | 600-3MGT-15 | 9400-5200 | 200 | 23.62 | .05 |
| 243-3MGT-15 | 9400-5081 | 81 | 9.57 | .02 | 630-3MGT-15 | 9400-5210 | 210 | 24.80 | .06 |
| 255-3MGT-15 | 9400-5085 | 85 | 10.04 | .02 | 684-3MGT-15 | 9400-5228 | 228 | 26.93 | .06 |
| 267-3MGT-15 | 9400-5089 | 89 | 10.51 | .02 | 735-3MGT-15 | 9400-5245 | 245 | 28.94 | .07 |
| 282-3MGT-15 | 9400-5094 | 94 | 11.10 | .03 | 750-3MGT-15 | 9400-5250 | 250 | 29.53 | .07 |
| 291-3MGT-15 | 9400-5097 | 97 | 11.46 | .03 | 786-3MGT-15 | 9400-5262 | 262 | 30.94 | .07 |
| 300-3MGT-15 | 9400-5100 | 100 | 11.81 | .03 | 840-3MGT-15 | 9400-5280 | 280 | 33.07 | .08 |
| 339-3MGT-15 | 9400-5113 | 113 | 13.35 | .03 | 945-3MGT-15 | 9400-5315 | 315 | 37.20 | .09 |
| 348-3MGT-15 | 9400-5116 | 116 | 13.70 | .03 | 1050-3MGT-15 | 9400-5350 | 350 | 41.34 | .10 |
| 357-3MGT-15 | 9400-5119 | 119 | 14.06 | .03 | 1080-3MGT-15 | 9400-5360 | 360 | 42.52 | .10 |
| 360-3MGT-15 | 9400-5120 | 120 | 14.17 | .03 | 1536-3MGT-15 | 9400-5512 | 512 | 60.47 | .15 |
| 375-3MGT-15 | 9400-5125 | 125 | 14.76 | .03 | 1587-3MGT-15 | 9400-5529 | 529 | 62.48 | .15 |
| 393-3MGT-15 | 9400-5131 | 131 | 15.47 | .03 | 2061-3MGT-15 | 9400-5687 | 687 | 81.14 | .20 |

POWERGRIP GT3 BELTS

PowerGrip® GT®3 Belts - 5M

The highest density 5mm rubber belt, the PowerGrip GT3 belt has twice the load carrying capacity of its predecessor HTD®. In addition, less width is required compared to HTD, allowing lighter, more compact drives.

Markets/Applications

PowerGrip GT3 belts are suitable for many applications such as HVAC, office machines, machine tools, hand power tools, postage handling, spindle drives, food processors, sewing machines, robotics, linear and light package conveyor.

Features/Advantages

- **Fiberglass tensile cord** provides high strength, excellent flex life, and high resistance to elongation.
- **Neoprene body** provides protection against grime, grease, oil, and moisture.
- **Nylon tooth facing** provides a durable wear surface for long service life.
- Gates **patented tooth profile** is designed for use with a specific sprocket groove profile. The sprocket groove-belt tooth combination increases capacity, while improving registration.
- PowerGrip GT3 has more tooth ratchet resistance than HTD.
- Eliminates lubrication and re-tensioning reduce maintenance and labor as compared to roller chain drives.
- PowerGrip GT3 belt and GT®2 Sprocket combinations match or exceed the positional accuracy of PowerGrip® Timing belt/pulley systems.

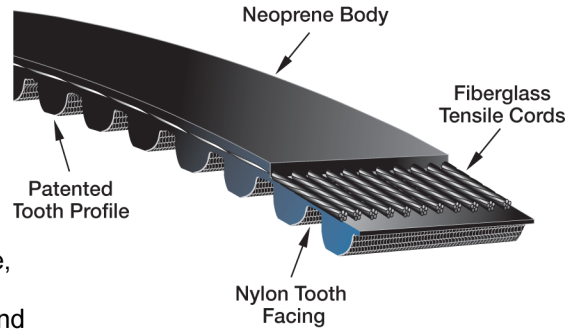
Recommended Sprockets

PowerGrip® GT®2 and Poly Chain® GT® Sprockets

Notes

PowerGrip GT3 part numbers are comprised of pitch, pitch length and width. For example; part number 400-5MGT-09 denotes a 400mm pitch length, 5mm pitch, and 9mm width.

Belt pitch is the distance in millimeters between two adjacent tooth centers as measured on the pitch line of the belt. Belt pitch length is the total length (circumference) in millimeters as measured along the pitch line. The theoretical pitch line of a PowerGrip GT3 belt lies within the tensile member.



Product No. Series 9400

5mm Pitch — 9mm Wide

| Part No. | Product No. | Number of Teeth | Pitch Length (in) | Weight (Lbs.) |
|-------------|-------------|-----------------|-------------------|---------------|
| 300-5MGT-09 | 9400-6060 | 60 | 11.81 | .03 |
| 355-5MGT-09 | 9400-6071 | 71 | 13.98 | .03 |
| 375-5MGT-09 | 9400-6075 | 75 | 14.76 | .03 |
| 400-5MGT-09 | 9400-6080 | 80 | 15.75 | .03 |
| 405-5MGT-09 | 9400-6081 | 81 | 15.95 | .03 |
| 425-5MGT-09 | 9400-6085 | 85 | 16.73 | .03 |
| 450-5MGT-09 | 9400-6090 | 90 | 17.72 | .04 |
| 500-5MGT-09 | 9400-6100 | 100 | 19.69 | .04 |
| 535-5MGT-09 | 9400-6107 | 107 | 21.06 | .04 |
| 565-5MGT-09 | 9400-6113 | 113 | 22.24 | .04 |
| 575-5MGT-09 | 9400-6115 | 115 | 22.64 | .04 |
| 580-5MGT-09 | 9400-6116 | 116 | 22.83 | .05 |
| 600-5MGT-09 | 9400-6120 | 120 | 23.62 | .05 |
| 625-5MGT-09 | 9400-6125 | 125 | 24.61 | .05 |
| 650-5MGT-09 | 9400-6130 | 130 | 25.59 | .05 |

| Part No. | Product No. | Number of Teeth | Pitch Length (in) | Weight (Lbs.) |
|--------------|-------------|-----------------|-------------------|---------------|
| 700-5MGT-09 | 9400-6140 | 140 | 27.56 | .06 |
| 750-5MGT-09 | 9400-6150 | 150 | 29.53 | .06 |
| 800-5MGT-09 | 9400-6160 | 160 | 31.50 | .06 |
| 815-5MGT-09 | 9400-6163 | 163 | 32.09 | .06 |
| 850-5MGT-09 | 9400-6170 | 170 | 33.46 | .06 |
| 900-5MGT-09 | 9400-6180 | 180 | 35.43 | .07 |
| 1000-5MGT-09 | 9400-6200 | 200 | 39.37 | .08 |
| 1150-5MGT-09 | 9400-6230 | 230 | 45.28 | .08 |
| 1300-5MGT-09 | 9400-6260 | 260 | 51.18 | .10 |
| 1450-5MGT-09 | 9400-6290 | 290 | 57.09 | .11 |
| 1600-5MGT-09 | 9400-6320 | 320 | 62.99 | .13 |
| 1720-5MGT-09 | 9400-6344 | 344 | 67.72 | .13 |
| 1755-5MGT-09 | 9400-6351 | 351 | 69.09 | .13 |
| 2100-5MGT-09 | 9400-6420 | 420 | 82.67 | .16 |

5mm Pitch — 15mm Wide

| Part No. | Product No. | Number of Teeth | Pitch Length (in) | Weight (Lbs.) |
|-------------|-------------|-----------------|-------------------|---------------|
| 300-5MGT-15 | 9400-7060 | 60 | 11.81 | .04 |
| 355-5MGT-15 | 9400-7071 | 71 | 13.98 | .04 |
| 375-5MGT-15 | 9400-7075 | 75 | 14.76 | .05 |

| Part No. | Product No. | Number of Teeth | Pitch Length (in) | Weight (Lbs.) |
|-------------|-------------|-----------------|-------------------|---------------|
| 400-5MGT-15 | 9400-7080 | 80 | 15.75 | .05 |
| 405-5MGT-15 | 9400-7081 | 81 | 15.95 | .05 |
| 425-5MGT-15 | 9400-7085 | 85 | 16.73 | .05 |

PowerGrip® GT®3 Belts - 5M

Product No. Series 9400 (continued)

5mm Pitch — 15mm Wide (continued)

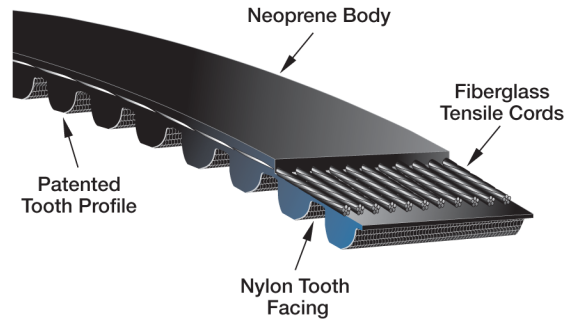
| Part No. | Product No. | Number of Teeth | Pitch Length (in) | Weight (Lbs.) | Part No. | Product No. | Number of Teeth | Pitch Length (in) | Weight (Lbs.) |
|-------------|-------------|-----------------|-------------------|---------------|--------------|-------------|-----------------|-------------------|---------------|
| 450-5MGT-15 | 9400-7090 | 90 | 17.72 | .06 | 815-5MGT-15 | 9400-7163 | 163 | 32.09 | .10 |
| 500-5MGT-15 | 9400-7100 | 100 | 19.69 | .07 | 850-5MGT-15 | 9400-7170 | 170 | 33.46 | .10 |
| 535-5MGT-15 | 9400-7107 | 107 | 21.06 | .07 | 900-5MGT-15 | 9400-7180 | 180 | 35.43 | .10 |
| 565-5MGT-15 | 9400-7113 | 113 | 22.24 | .08 | 1000-5MGT-15 | 9400-7200 | 200 | 39.37 | .13 |
| 575-5MGT-15 | 9400-7115 | 115 | 22.64 | .08 | 1150-5MGT-15 | 9400-7230 | 230 | 45.28 | .15 |
| 580-5MGT-15 | 9400-7116 | 116 | 22.83 | .08 | 1300-5MGT-15 | 9400-7260 | 260 | 51.18 | .18 |
| 600-5MGT-15 | 9400-7120 | 120 | 23.62 | .08 | 1450-5MGT-15 | 9400-7290 | 290 | 57.09 | .19 |
| 625-5MGT-15 | 9400-7125 | 125 | 24.61 | .08 | 1600-5MGT-15 | 9400-7320 | 320 | 62.99 | .20 |
| 650-5MGT-15 | 9400-7130 | 130 | 25.59 | .10 | 1720-5MGT-15 | 9400-7344 | 344 | 67.72 | .22 |
| 700-5MGT-15 | 9400-7140 | 140 | 27.56 | .10 | 1755-5MGT-15 | 9400-7351 | 351 | 69.09 | .22 |
| 750-5MGT-15 | 9400-7150 | 150 | 29.53 | .10 | 2100-5MGT-15 | 9400-7420 | 420 | 82.68 | .27 |
| 800-5MGT-15 | 9400-7160 | 160 | 31.50 | .10 | | | | | |

5mm Pitch — 25mm Wide

| Part No. | Product No. | Number of Teeth | Pitch Length (in) | Weight (Lbs.) | Part No. | Product No. | Number of Teeth | Pitch Length (in) | Weight (Lbs.) |
|-------------|-------------|-----------------|-------------------|---------------|--------------|-------------|-----------------|-------------------|---------------|
| 300-5MGT-25 | 9400-8060 | 60 | 11.81 | .07 | 700-5MGT-25 | 9400-8140 | 140 | 27.56 | .15 |
| 355-5MGT-25 | 9400-8071 | 71 | 13.98 | .08 | 750-5MGT-25 | 9400-8150 | 150 | 29.53 | .15 |
| 375-5MGT-25 | 9400-8075 | 75 | 14.76 | .08 | 800-5MGT-25 | 9400-8160 | 160 | 31.50 | .15 |
| 400-5MGT-25 | 9400-8080 | 80 | 15.75 | .08 | 815-5MGT-25 | 9400-8163 | 163 | 32.09 | .20 |
| 405-5MGT-25 | 9400-8081 | 81 | 15.95 | .08 | 850-5MGT-25 | 9400-8170 | 170 | 33.46 | .20 |
| 425-5MGT-25 | 9400-8085 | 85 | 16.73 | .08 | 900-5MGT-25 | 9400-8180 | 180 | 35.43 | .20 |
| 450-5MGT-25 | 9400-8090 | 90 | 17.72 | .10 | 1000-5MGT-25 | 9400-8200 | 200 | 39.37 | .20 |
| 500-5MGT-25 | 9400-8100 | 100 | 19.69 | .10 | 1150-5MGT-25 | 9400-8230 | 230 | 45.28 | .25 |
| 535-5MGT-25 | 9400-8107 | 107 | 21.06 | .10 | 1300-5MGT-25 | 9400-8260 | 260 | 51.18 | .30 |
| 565-5MGT-25 | 9400-8113 | 113 | 22.24 | .10 | 1450-5MGT-25 | 9400-8290 | 290 | 57.09 | .35 |
| 575-5MGT-25 | 9400-8115 | 115 | 22.64 | .10 | 1600-5MGT-25 | 9400-8320 | 320 | 62.99 | .38 |
| 580-5MGT-25 | 9400-8116 | 116 | 22.83 | .10 | 1720-5MGT-25 | 9400-8344 | 344 | 67.72 | .40 |
| 600-5MGT-25 | 9400-8120 | 120 | 23.62 | .10 | 1755-5MGT-25 | 9400-8351 | 351 | 69.09 | .50 |
| 625-5MGT-25 | 9400-8125 | 125 | 24.61 | .10 | 2100-5MGT-25 | 9400-8420 | 420 | 82.68 | .53 |
| 650-5MGT-25 | 9400-8130 | 130 | 25.59 | .15 | | | | | |

PowerGrip® GT³ Belts - 8M and 14M

Reduce both acquisition costs and transaction costs by designing with PowerGrip GT3. The PowerGrip GT3 belt has two times the rating of competitive RPP® belts, and its predecessors PowerGrip GT and HTD® belts. PowerGrip GT3 drive systems offer the largest selection of belts and sprockets in the industry. At reduced widths, PowerGrip GT3 belts can be used as a direct replacement for most 8mm and 14mm pitch standard rubber RPP and HTD synchronous belts.



Markets/Applications

PowerGrip GT3 belts are suitable for many applications such as HVAC, textile, printing, machine tools, food processing, conveyors, packaging, agriculture, pumps, compressors, centrifuges, laundry, pulp and paper.

Features/Advantages

- **Fiberglass tensile cord** provides high strength, excellent flex life, and high resistance to elongation.
- **Neoprene body** provides protection against grime, grease, oil, and moisture.
- **Nylon tooth facing** provides a durable wear surface for long service life.
- Gates **patented tooth profile** is designed for use with a specific sprocket groove profile. The sprocket groove-belt tooth combination increases capacity, while improving registration.
- PowerGrip GT3 has more tooth ratchet resistance than HTD.
- Eliminates lubrication and re-tensioning reduce maintenance and labor as compared to roller chain drives.
- PowerGrip GT3 ACHE belts are available in 14mm pitch. A single twist cord helps prevent the belt from moving downward on vertical shaft ACHE applications.

Recommended Sprockets

PowerGrip® GT² Sprockets

Notes

8M and 14M PowerGrip GT3 belts are conductive in accordance with ISO 9563. When belt drive systems are located in potentially hazardous environments, safe and reliable dissipation of electrostatic charges is critical - a secondary means of dissipation such as static grounding brushes is recommended.

PowerGrip GT3 part numbers are comprised of pitch, pitch length and width. For example; part number 3150-14MGT-55 denotes a 3150mm pitch length, 14mm pitch and 55mm width.

Belt **pitch** is the distance in millimeters between two adjacent tooth centers as measured on the pitch line of the belt. Belt **pitch length** is the total length (circumference) in millimeters as measured along the pitch line. The theoretical pitch line of a PowerGrip GT3 belt lies within the tensile member.

WARNING: New drive designs must use the PowerGrip GT2 sprockets, because of the high torque capacity of PowerGrip GT3 belts. Do not use HTD or RPP profiled sprockets in new designs. PowerGrip GT3 belts can be used on existing HTD or HT100® sprockets as replacement belts, usually at the next narrowest width.

Product No. Series 9356

8mm Pitch — 12mm Wide

| Part No. | Product No. | Number of Teeth | Pitch Length (in) | Weight (Lbs.) | Part No. | Product No. | Number of Teeth | Pitch Length (in) | Weight (Lbs.) |
|--------------|-------------|-----------------|-------------------|---------------|--------------|-------------|-----------------|-------------------|---------------|
| 384-8MGT-12 | 9356-1200 | 48 | 15.12 | .05 | 1200-8MGT-12 | 9356-1216 | 150 | 47.24 | .16 |
| 480-8MGT-12 | 9356-1201 | 60 | 18.90 | .06 | 1224-8MGT-12 | 9356-1217 | 153 | 48.19 | .16 |
| 560-8MGT-12 | 9356-1202 | 70 | 22.05 | .07 | 1280-8MGT-12 | 9356-1218 | 160 | 50.39 | .17 |
| 600-8MGT-12 | 9356-1203 | 75 | 23.62 | .08 | 1440-8MGT-12 | 9356-1219 | 180 | 56.69 | .18 |
| 640-8MGT-12 | 9356-1204 | 80 | 25.20 | .09 | 1512-8MGT-12 | 9356-1220 | 189 | 59.53 | .20 |
| 720-8MGT-12 | 9356-1205 | 90 | 28.35 | .09 | 1584-8MGT-12 | 9356-1221 | 198 | 62.36 | .20 |
| 800-8MGT-12 | 9356-1206 | 100 | 31.50 | .11 | 1600-8MGT-12 | 9356-1222 | 200 | 62.99 | .21 |
| 840-8MGT-12 | 9356-1207 | 105 | 33.07 | .11 | 1760-8MGT-12 | 9356-1223 | 220 | 69.29 | .23 |
| 880-8MGT-12 | 9356-1208 | 110 | 34.65 | .12 | 1800-8MGT-12 | 9356-1224 | 225 | 70.87 | .24 |
| 920-8MGT-12 | 9356-1209 | 115 | 36.22 | .12 | 2000-8MGT-12 | 9356-1225 | 250 | 78.74 | .26 |
| 960-8MGT-12 | 9356-1210 | 120 | 37.80 | .13 | 2200-8MGT-12 | 9356-1226 | 275 | 86.61 | .28 |
| 1040-8MGT-12 | 9356-1211 | 130 | 40.94 | .14 | 2400-8MGT-12 | 9356-1227 | 300 | 94.49 | .30 |
| 1064-8MGT-12 | 9356-1212 | 133 | 41.89 | .14 | 2600-8MGT-12 | 9356-1228 | 325 | 102.36 | .33 |
| 1104-8MGT-12 | 9356-1213 | 138 | 43.46 | .15 | 2800-8MGT-12 | 9356-1229 | 350 | 110.24 | .36 |
| 1120-8MGT-12 | 9356-1214 | 140 | 44.09 | .15 | 3280-8MGT-12 | 9356-1230 | 410 | 129.13 | .41 |
| 1160-8MGT-12 | 9356-1215 | 145 | 45.67 | .15 | | | | | |

PowerGrip® GT®3 Belts - 8M and 14M

Product No. Series 9356 (continued)

8mm Pitch — 20mm Wide

| Part No. | Product No. | Number of Teeth | Pitch Length (in) | Weight (Lbs.) | Part No. | Product No. | Number of Teeth | Pitch Length (in) | Weight (Lbs.) |
|--------------|-------------|-----------------|-------------------|---------------|--------------|-------------|-----------------|-------------------|---------------|
| 384-8MGT-20 | 9356-1021 | 48 | 15.12 | .09 | 1224-8MGT-20 | 9356-1029 | 153 | 48.19 | .30 |
| 480-8MGT-20 | 9356-9001 | 60 | 18.90 | .12 | 1280-8MGT-20 | 9356-0045 | 160 | 50.39 | .30 |
| 480-8MGT-30 | 9356-9002 | 60 | 18.90 | .20 | 1440-8MGT-20 | 9356-0049 | 180 | 56.69 | .35 |
| 560-8MGT-20 | 9356-9005 | 70 | 22.05 | .15 | 1512-8MGT-20 | 9356-1013 | 189 | 59.53 | .38 |
| 576-8MGT-20 | 9356-1041 | 72 | 22.67 | .44 | 1584-8MGT-20 | 9356-1017 | 198 | 62.36 | .39 |
| 600-8MGT-20 | 9356-0009 | 75 | 23.62 | .15 | 1600-8MGT-20 | 9356-0053 | 200 | 62.99 | .40 |
| 640-8MGT-20 | 9356-0013 | 80 | 25.20 | .16 | 1760-8MGT-20 | 9356-0057 | 220 | 69.29 | .45 |
| 720-8MGT-20 | 9356-0017 | 90 | 28.35 | .19 | 1800-8MGT-20 | 9356-0061 | 225 | 70.87 | .45 |
| 800-8MGT-20 | 9356-0021 | 100 | 31.50 | .20 | 2000-8MGT-20 | 9356-0065 | 250 | 78.74 | .51 |
| 840-8MGT-20 | 9356-1025 | 105 | 33.07 | .20 | 2200-8MGT-20 | 9356-1033 | 275 | 86.62 | .55 |
| 880-8MGT-20 | 9356-0025 | 110 | 34.65 | .20 | 2400-8MGT-20 | 9356-0069 | 300 | 94.49 | .60 |
| 920-8MGT-20 | 9356-1001 | 115 | 36.22 | .20 | 2600-8MGT-20 | 9356-0077 | 325 | 102.36 | .65 |
| 920-8MGT-30 | 9356-1002 | 115 | 36.22 | .35 | 2600-8MGT-30 | 9356-0078 | 325 | 102.36 | .92 |
| 960-8MGT-20 | 9356-0029 | 120 | 37.80 | .20 | 2800-8MGT-20 | 9356-0073 | 350 | 110.24 | .70 |
| 1040-8MGT-20 | 9356-0033 | 130 | 40.94 | .25 | 3048-8MGT-20 | 9356-0081 | 381 | 120.00 | .75 |
| 1064-8MGT-20 | 9356-1005 | 133 | 41.89 | .25 | 3280-8MGT-20 | 9356-0085 | 410 | 129.13 | .84 |
| 1104-8MGT-20 | 9356-1037 | 138 | 43.46 | .26 | 3600-8MGT-20 | 9356-0089 | 450 | 141.73 | .95 |
| 1120-8MGT-20 | 9356-0037 | 140 | 44.09 | .26 | 3600-8MGT-30 | 9356-0090 | 450 | 141.73 | 1.28 |
| 1160-8MGT-20 | 9356-1009 | 145 | 45.67 | .25 | 4400-8MGT-20 | 9356-0093 | 550 | 173.23 | 1.15 |
| 1200-8MGT-20 | 9356-0041 | 150 | 47.24 | .30 | | | | | |

8mm Pitch — 30mm Wide

| Part No. | Product No. | Number of Teeth | Pitch Length (in) | Weight (Lbs.) | Part No. | Product No. | Number of Teeth | Pitch Length (in) | Weight (Lbs.) |
|--------------|-------------|-----------------|-------------------|---------------|--------------|-------------|-----------------|-------------------|---------------|
| 384-8MGT-30 | 9356-1022 | 48 | 15.12 | .50 | 1224-8MGT-30 | 9356-1030 | 153 | 48.19 | .45 |
| 560-8MGT-30 | 9356-9006 | 70 | 22.05 | .20 | 1280-8MGT-30 | 9356-0046 | 160 | 50.39 | .45 |
| 576-8MGT-30 | 9356-1043 | 72 | 22.67 | 1.20 | 1440-8MGT-30 | 9356-0050 | 180 | 56.69 | .52 |
| 600-8MGT-30 | 9356-0010 | 75 | 23.62 | .21 | 1512-8MGT-30 | 9356-1014 | 189 | 59.53 | .55 |
| 640-8MGT-30 | 9356-0014 | 80 | 25.20 | .24 | 1584-8MGT-30 | 9356-1018 | 198 | 62.36 | .60 |
| 720-8MGT-30 | 9356-0018 | 90 | 28.35 | .25 | 1600-8MGT-30 | 9356-0054 | 200 | 62.99 | .60 |
| 800-8MGT-30 | 9356-0022 | 100 | 31.50 | .25 | 1760-8MGT-30 | 9356-0058 | 220 | 69.29 | .65 |
| 840-8MGT-30 | 9356-1026 | 105 | 33.07 | .30 | 1800-8MGT-30 | 9356-0062 | 225 | 70.87 | .65 |
| 880-8MGT-30 | 9356-0026 | 110 | 34.65 | .30 | 2000-8MGT-30 | 9356-0066 | 250 | 78.74 | .70 |
| 960-8MGT-30 | 9356-0030 | 120 | 37.80 | .35 | 2200-8MGT-30 | 9356-1034 | 275 | 86.61 | .80 |
| 1040-8MGT-30 | 9356-0034 | 130 | 40.94 | .35 | 2400-8MGT-30 | 9356-0070 | 300 | 94.49 | .89 |
| 1064-8MGT-30 | 9356-1006 | 133 | 41.89 | .40 | 2800-8MGT-30 | 9356-0074 | 350 | 110.24 | 1.00 |
| 1104-8MGT-30 | 9356-1038 | 138 | 43.46 | .46 | 3048-8MGT-30 | 9356-0082 | 381 | 120.00 | 1.20 |
| 1120-8MGT-30 | 9356-0038 | 140 | 44.09 | .40 | 3280-8MGT-30 | 9356-0086 | 410 | 129.13 | 1.16 |
| 1160-8MGT-30 | 9356-1010 | 145 | 45.67 | .45 | 4400-8MGT-30 | 9356-0094 | 550 | 173.23 | 1.70 |
| 1200-8MGT-30 | 9356-0042 | 150 | 47.24 | .45 | | | | | |

8mm Pitch — 50mm Wide

| Part No. | Product No. | Number of Teeth | Pitch Length (in) | Weight (Lbs.) | Part No. | Product No. | Number of Teeth | Pitch Length (in) | Weight (Lbs.) |
|--------------|-------------|-----------------|-------------------|---------------|--------------|-------------|-----------------|-------------------|---------------|
| 384-8MGT-50 | 9356-1023 | 48 | 15.12 | .20 | 1064-8MGT-50 | 9356-1007 | 133 | 41.89 | .65 |
| 480-8MGT-50 | 9356-9003 | 60 | 18.90 | .30 | 1104-8MGT-50 | 9356-1039 | 138 | 43.46 | .65 |
| 560-8MGT-50 | 9356-9007 | 70 | 22.05 | .32 | 1120-8MGT-50 | 9356-0039 | 140 | 44.09 | .65 |
| 576-8MGT-50 | 9356-1042 | 72 | 22.67 | .72 | 1160-8MGT-50 | 9356-1011 | 145 | 45.67 | .70 |
| 600-8MGT-50 | 9356-0011 | 75 | 23.62 | .35 | 1200-8MGT-50 | 9356-0043 | 150 | 47.24 | .75 |
| 640-8MGT-50 | 9356-0015 | 80 | 25.20 | .40 | 1224-8MGT-50 | 9356-1031 | 153 | 48.19 | .75 |
| 720-8MGT-50 | 9356-0019 | 90 | 28.35 | .44 | 1280-8MGT-50 | 9356-0047 | 160 | 50.39 | .75 |
| 800-8MGT-50 | 9356-0023 | 100 | 31.50 | .50 | 1440-8MGT-50 | 9356-0051 | 180 | 56.69 | .90 |
| 840-8MGT-50 | 9356-1027 | 105 | 33.07 | .50 | 1512-8MGT-50 | 9356-1015 | 189 | 59.53 | .95 |
| 880-8MGT-50 | 9356-0027 | 110 | 34.65 | .55 | 1584-8MGT-50 | 9356-1019 | 198 | 62.36 | 1.00 |
| 920-8MGT-50 | 9356-1003 | 115 | 36.22 | .60 | 1600-8MGT-50 | 9356-0055 | 200 | 62.99 | 1.00 |
| 960-8MGT-50 | 9356-0031 | 120 | 37.80 | .60 | 1760-8MGT-50 | 9356-0059 | 220 | 69.29 | 1.10 |
| 1040-8MGT-50 | 9356-0035 | 130 | 40.94 | .65 | 1800-8MGT-50 | 9356-0063 | 225 | 70.87 | 1.10 |

POWERGRIP GT3 BELTS

PowerGrip® GT®3 Belts - 8M and 14M

Product No. Series 9356 (continued)

8mm Pitch — 50mm Wide (continued)

| Part No. | Product No. | Number of Teeth | Pitch Length (in) | Weight (Lbs.) |
|--------------|-------------|-----------------|-------------------|---------------|
| 2000-8MGT-50 | 9356-0067 | 250 | 78.74 | 1.23 |
| 2200-8MGT-50 | 9356-1035 | 275 | 86.61 | 1.35 |
| 2400-8MGT-50 | 9356-0071 | 300 | 94.49 | 1.50 |
| 2600-8MGT-50 | 9356-0079 | 325 | 102.36 | 1.60 |
| 2800-8MGT-50 | 9356-0075 | 350 | 110.24 | 1.70 |

| Part No. | Product No. | Number of Teeth | Pitch Length (in) | Weight (Lbs.) |
|--------------|-------------|-----------------|-------------------|---------------|
| 3048-8MGT-50 | 9356-0083 | 381 | 120.00 | 1.90 |
| 3280-8MGT-50 | 9356-0087 | 410 | 129.13 | 2.00 |
| 3600-8MGT-50 | 9356-0091 | 450 | 141.73 | 2.35 |
| 4400-8MGT-50 | 9356-0095 | 550 | 173.23 | 2.75 |

8mm Pitch — 85mm Wide

| Part No. | Product No. | Number of Teeth | Pitch Length (in) | Weight (Lbs.) |
|--------------|-------------|-----------------|-------------------|---------------|
| 384-8MGT-85 | 9356-1024 | 48 | 15.12 | .40 |
| 480-8MGT-85 | 9356-9004 | 60 | 18.90 | .50 |
| 560-8MGT-85 | 9356-9008 | 70 | 22.05 | .55 |
| 576-8MGT-85 | 9356-1044 | 72 | 22.67 | 2.04 |
| 600-8MGT-85 | 9356-0012 | 75 | 23.62 | .65 |
| 640-8MGT-85 | 9356-0016 | 80 | 25.20 | .70 |
| 720-8MGT-85 | 9356-0020 | 90 | 28.35 | .75 |
| 800-8MGT-85 | 9356-0024 | 100 | 31.50 | .85 |
| 840-8MGT-85 | 9356-1028 | 105 | 33.07 | .90 |
| 880-8MGT-85 | 9356-0028 | 110 | 34.65 | .95 |
| 920-8MGT-85 | 9356-1004 | 115 | 36.22 | 1.00 |
| 960-8MGT-85 | 9356-0032 | 120 | 37.80 | .95 |
| 1040-8MGT-85 | 9356-0036 | 130 | 40.94 | 1.10 |
| 1064-8MGT-85 | 9356-1008 | 133 | 41.89 | 1.05 |
| 1104-8MGT-85 | 9356-1040 | 138 | 43.46 | 1.30 |
| 1120-8MGT-85 | 9356-0040 | 140 | 44.09 | 1.20 |
| 1160-8MGT-85 | 9356-1012 | 146 | 45.83 | 1.20 |
| 1200-8MGT-85 | 9356-0044 | 150 | 47.24 | 1.25 |

| Part No. | Product No. | Number of Teeth | Pitch Length (in) | Weight (Lbs.) |
|--------------|-------------|-----------------|-------------------|---------------|
| 1224-8MGT-85 | 9356-1032 | 153 | 48.19 | 1.30 |
| 1280-8MGT-85 | 9356-0048 | 160 | 50.39 | 1.32 |
| 1440-8MGT-85 | 9356-0052 | 180 | 56.69 | 1.55 |
| 1512-8MGT-85 | 9356-1016 | 189 | 59.53 | 1.60 |
| 1584-8MGT-85 | 9356-1020 | 198 | 62.36 | 1.65 |
| 1600-8MGT-85 | 9356-0056 | 200 | 62.99 | 1.75 |
| 1760-8MGT-85 | 9356-0060 | 220 | 69.29 | 1.90 |
| 1800-8MGT-85 | 9356-0064 | 225 | 70.87 | 1.95 |
| 2000-8MGT-85 | 9356-0068 | 250 | 78.74 | 2.10 |
| 2200-8MGT-85 | 9356-1036 | 275 | 86.61 | 2.30 |
| 2400-8MGT-85 | 9356-0072 | 300 | 94.49 | 2.50 |
| 2600-8MGT-85 | 9356-0080 | 325 | 102.36 | 2.80 |
| 2800-8MGT-85 | 9356-0076 | 350 | 110.24 | 3.00 |
| 3048-8MGT-85 | 9356-0084 | 381 | 120.00 | 3.35 |
| 3280-8MGT-85 | 9356-0088 | 410 | 129.13 | 3.65 |
| 3600-8MGT-85 | 9356-0092 | 450 | 141.73 | 3.90 |
| 4400-8MGT-85 | 9356-0096 | 550 | 173.23 | 4.80 |

14mm Pitch — 40mm Wide

| Part No. | Product No. | Number of Teeth | Pitch Length (in) | Weight (Lbs.) |
|---------------|-------------|-----------------|-------------------|---------------|
| 966-14MGT-40 | 9356-0100 | 69 | 38.03 | .17 |
| 1190-14MGT-40 | 9356-0105 | 85 | 46.85 | 1.50 |
| 1400-14MGT-40 | 9356-0110 | 100 | 55.12 | 1.65 |
| 1610-14MGT-40 | 9356-0115 | 115 | 63.39 | .28 |
| 1778-14MGT-40 | 9356-0120 | 127 | 70.00 | 1.95 |
| 1890-14MGT-40 | 9356-0125 | 135 | 74.41 | 2.05 |
| 2100-14MGT-40 | 9356-0130 | 150 | 82.68 | 2.35 |
| 2310-14MGT-40 | 9356-0135 | 165 | 90.94 | .40 |
| 2450-14MGT-40 | 9356-0140 | 175 | 96.46 | 2.55 |
| 2590-14MGT-40 | 9356-0145 | 185 | 101.97 | .45 |
| 2800-14MGT-40 | 9356-0150 | 200 | 110.24 | 2.80 |

| Part No. | Product No. | Number of Teeth | Pitch Length (in) | Weight (Lbs.) |
|---------------|-------------|-----------------|-------------------|---------------|
| 3150-14MGT-40 | 9356-0155 | 225 | 124.02 | 3.10 |
| 3360-14MGT-40 | 9356-0180 | 240 | 132.28 | 2.73 |
| 3500-14MGT-40 | 9356-0160 | 250 | 137.80 | 3.50 |
| 3850-14MGT-40 | 9356-0165 | 275 | 151.57 | 3.80 |
| 4326-14MGT-40 | 9356-0170 | 309 | 170.31 | 3.52 |
| 4578-14MGT-40 | 9356-0175 | 327 | 180.24 | 3.79 |
| 4956-14MGT-40 | 9356-0185 | 354 | 195.12 | 5.20 |
| 5320-14MGT-40 | 9356-0190 | 380 | 209.45 | 4.40 |
| 5740-14MGT-40 | 9356-0195 | 410 | 225.98 | 4.70 |
| 6160-14MGT-40 | 9356-0200 | 440 | 242.52 | 5.00 |
| 6860-14MGT-40 | 9356-0205 | 490 | 270.08 | 5.60 |

14mm Pitch — 55mm Wide

| Part No. | Product No. | Number of Teeth | Pitch Length (in) | Weight (Lbs.) |
|---------------|-------------|-----------------|-------------------|---------------|
| 966-14MGT-55 | 9356-0101 | 69 | 38.03 | 1.60 |
| 1190-14MGT-55 | 9356-0106 | 85 | 46.85 | 1.90 |
| 1400-14MGT-55 | 9356-0111 | 100 | 55.12 | 2.10 |
| 1610-14MGT-55 | 9356-0116 | 115 | 63.39 | .38 |
| 1778-14MGT-55 | 9356-0121 | 127 | 70.00 | 2.55 |
| 1890-14MGT-55 | 9356-0126 | 135 | 74.41 | 2.70 |
| 2100-14MGT-55 | 9356-0131 | 150 | 82.68 | 2.95 |
| 2310-14MGT-55 | 9356-0136 | 165 | 90.94 | .55 |
| 2450-14MGT-55 | 9356-0141 | 175 | 96.46 | .58 |
| 2590-14MGT-55 | 9356-0146 | 185 | 101.97 | .61 |

| Part No. | Product No. | Number of Teeth | Pitch Length (in) | Weight (Lbs.) |
|---------------|-------------|-----------------|-------------------|---------------|
| 2800-14MGT-55 | 9356-0151 | 200 | 110.24 | 3.70 |
| 3150-14MGT-55 | 9356-0156 | 225 | 124.02 | 4.10 |
| 3360-14MGT-55 | 9356-0181 | 240 | 132.28 | 3.72 |
| 3500-14MGT-55 | 9356-0161 | 250 | 137.80 | 4.60 |
| 3850-14MGT-55 | 9356-0166 | 275 | 151.57 | 5.00 |
| 4326-14MGT-55 | 9356-0171 | 309 | 170.31 | 6.30 |
| 4578-14MGT-55 | 9356-0176 | 327 | 180.24 | 5.40 |
| 4956-14MGT-55 | 9356-0186 | 354 | 195.12 | 5.53 |
| 5320-14MGT-55 | 9356-0191 | 380 | 209.45 | 5.95 |
| 5740-14MGT-55 | 9356-0196 | 410 | 225.98 | 8.15 |

POWERGRIP GT3 BELTS

PowerGrip® GT®3 Belts - 8M and 14M

Product No. Series 9356 (continued)

14mm Pitch — 55mm Wide (continued)

| Part No. | Product No. | Number of Teeth | Pitch Length (in) | Weight (Lbs.) | Part No. | Product No. | Number of Teeth | Pitch Length (in) | Weight (Lbs.) |
|---------------|-------------|-----------------|-------------------|---------------|---------------|-------------|-----------------|-------------------|---------------|
| 6160-14MGT-55 | 9356-0201 | 440 | 242.52 | 6.90 | 6860-14MGT-55 | 9356-0206 | 490 | 270.08 | 9.30 |

14mm Pitch — 85mm Wide

| Part No. | Product No. | Number of Teeth | Pitch Length (in) | Weight (Lbs.) | Part No. | Product No. | Number of Teeth | Pitch Length (in) | Weight (Lbs.) |
|---------------|-------------|-----------------|-------------------|---------------|---------------|-------------|-----------------|-------------------|---------------|
| 966-14MGT-85 | 9356-0102 | 69 | 38.03 | .35 | 3150-14MGT-85 | 9356-0157 | 225 | 124.02 | 6.90 |
| 1190-14MGT-85 | 9356-0107 | 85 | 46.85 | 3.35 | 3360-14MGT-85 | 9356-0182 | 240 | 132.28 | 5.86 |
| 1400-14MGT-85 | 9356-0112 | 100 | 55.12 | 3.75 | 3500-14MGT-85 | 9356-0162 | 250 | 137.80 | 7.40 |
| 1610-14MGT-85 | 9356-0117 | 115 | 63.39 | .59 | 3850-14MGT-85 | 9356-0167 | 275 | 151.57 | 8.00 |
| 1778-14MGT-85 | 9356-0122 | 127 | 70.00 | 4.50 | 4326-14MGT-85 | 9356-0172 | 309 | 170.31 | 7.46 |
| 1890-14MGT-85 | 9356-0127 | 135 | 74.41 | 4.65 | 4578-14MGT-85 | 9356-0177 | 327 | 180.24 | 7.90 |
| 2100-14MGT-85 | 9356-0132 | 150 | 82.68 | 5.00 | 4956-14MGT-85 | 9356-0187 | 354 | 195.12 | 8.55 |
| 2310-14MGT-85 | 9356-0137 | 165 | 90.94 | .84 | 5320-14MGT-85 | 9356-0192 | 380 | 209.45 | 10.88 |
| 2450-14MGT-85 | 9356-0142 | 175 | 96.46 | .89 | 5740-14MGT-85 | 9356-0197 | 410 | 225.98 | 9.90 |
| 2590-14MGT-85 | 9356-0147 | 185 | 101.97 | .95 | 6160-14MGT-85 | 9356-0202 | 440 | 242.52 | 10.63 |
| 2800-14MGT-85 | 9356-0152 | 200 | 110.24 | 6.20 | 6860-14MGT-85 | 9356-0207 | 490 | 270.08 | 14.30 |

14mm Pitch — 115mm Wide

| Part No. | Product No. | Number of Teeth | Pitch Length (in) | Weight (Lbs.) | Part No. | Product No. | Number of Teeth | Pitch Length (in) | Weight (Lbs.) |
|----------------|-------------|-----------------|-------------------|---------------|----------------|-------------|-----------------|-------------------|---------------|
| 966-14MGT-115 | 9356-0103 | 69 | 38.03 | .47 | 3360-14MGT-115 | 9356-0183 | 240 | 132.28 | 7.83 |
| 1190-14MGT-115 | 9356-0108 | 85 | 46.85 | 4.00 | 3500-14MGT-115 | 9356-0163 | 250 | 137.80 | 10.00 |
| 1400-14MGT-115 | 9356-0113 | 100 | 55.12 | 4.65 | 3850-14MGT-115 | 9356-0168 | 275 | 151.57 | 10.75 |
| 1610-14MGT-115 | 9356-0118 | 115 | 63.39 | .79 | 4326-14MGT-115 | 9356-0173 | 309 | 170.31 | 10.14 |
| 1778-14MGT-115 | 9356-0123 | 127 | 70.00 | 5.55 | 4578-14MGT-115 | 9356-0178 | 327 | 180.24 | 10.70 |
| 1890-14MGT-115 | 9356-0128 | 135 | 74.41 | 5.90 | 4956-14MGT-115 | 9356-0188 | 354 | 195.12 | 11.60 |
| 2100-14MGT-115 | 9356-0133 | 150 | 82.68 | 6.25 | 4956-14MGT-170 | 9356-0189 | 354 | 195.12 | 17.09 |
| 2310-14MGT-115 | 9356-0138 | 165 | 90.94 | 1.14 | 5320-14MGT-115 | 9356-0193 | 380 | 209.45 | 12.63 |
| 2450-14MGT-115 | 9356-0143 | 175 | 96.46 | 1.21 | 5740-14MGT-115 | 9356-0198 | 410 | 225.98 | 13.40 |
| 2590-14MGT-115 | 9356-0148 | 185 | 101.97 | 1.28 | 6160-14MGT-115 | 9356-0203 | 440 | 242.52 | 16.84 |
| 2800-14MGT-115 | 9356-0153 | 200 | 110.24 | 8.10 | 6860-14MGT-115 | 9356-0208 | 490 | 270.08 | 17.08 |
| 3150-14MGT-115 | 9356-0158 | 225 | 124.02 | 8.75 | | | | | |

14mm Pitch — 170mm Wide

| Part No. | Product No. | Number of Teeth | Pitch Length (in) | Weight (Lbs.) | Part No. | Product No. | Number of Teeth | Pitch Length (in) | Weight (Lbs.) |
|----------------|-------------|-----------------|-------------------|---------------|----------------|-------------|-----------------|-------------------|---------------|
| 966-14MGT-170 | 9356-0104 | 69 | 38.03 | .70 | 3150-14MGT-170 | 9356-0159 | 225 | 124.02 | 11.00 |
| 1190-14MGT-170 | 9356-0109 | 85 | 46.85 | 4.08 | 3360-14MGT-170 | 9356-0184 | 240 | 132.28 | 11.60 |
| 1400-14MGT-170 | 9356-0114 | 100 | 55.12 | 5.10 | 3500-14MGT-170 | 9356-0164 | 250 | 137.80 | 12.50 |
| 1610-14MGT-170 | 9356-0119 | 115 | 63.39 | 1.17 | 3850-14MGT-170 | 9356-0169 | 275 | 151.57 | 14.00 |
| 1778-14MGT-170 | 9356-0124 | 127 | 70.00 | 6.50 | 4326-14MGT-170 | 9356-0174 | 309 | 170.31 | 17.50 |
| 1890-14MGT-170 | 9356-0129 | 135 | 74.41 | 7.00 | 4578-14MGT-170 | 9356-0179 | 327 | 180.24 | 15.60 |
| 2100-14MGT-170 | 9356-0134 | 150 | 82.68 | 7.35 | 5320-14MGT-170 | 9356-0194 | 380 | 209.45 | 18.40 |
| 2310-14MGT-170 | 9356-0139 | 165 | 90.94 | 1.68 | 5740-14MGT-170 | 9356-0199 | 410 | 225.98 | 21.12 |
| 2450-14MGT-170 | 9356-0144 | 175 | 96.46 | 1.79 | 6160-14MGT-170 | 9356-0204 | 440 | 242.52 | 22.67 |
| 2590-14MGT-170 | 9356-0149 | 185 | 101.97 | 1.89 | 6860-14MGT-170 | 9356-0209 | 490 | 270.08 | 23.70 |
| 2800-14MGT-170 | 9356-0154 | 200 | 110.24 | 9.50 | | | | | |

14mm Pitch PowerGrip® GT®3 ACHE Belts — 40, 55 and 85mm Wide

| Part No. | Product No. | Number of Teeth | Pitch Length (in) | Weight (Lbs.) | Part No. | Product No. | Number of Teeth | Pitch Length (in) | Weight (Lbs.) |
|----------------|-------------|-----------------|-------------------|---------------|----------------|-------------|-----------------|-------------------|---------------|
| 3150-14MGT-40F | 9356-0589 | 225 | 124.01 | 3.65 | 3360-14MGT-40F | 9356-0590 | 240 | 132.28 | 3.90 |
| 3150-14MGT-55F | 9356-0593 | 225 | 124.01 | 3.80 | 3360-14MGT-55F | 9356-0594 | 240 | 132.28 | 4.20 |
| 3150-14MGT-85F | 9356-0597 | 225 | 124.01 | 6.00 | 3360-14MGT-85F | 9356-0598 | 240 | 132.28 | 6.40 |

POWERGRIP GT3 BELTS

PowerGrip® GT®3 Belts - 8M and 14M

Product No. Series 9356 (continued)

14mm Pitch PowerGrip® GT®3 ACHE Belts — 40, 55 and 85mm Wide (continued)

| Part No. | Product No. | Number of Teeth | Pitch Length (in) | Weight (Lbs.) | Part No. | Product No. | Number of Teeth | Pitch Length (in) | Weight (Lbs.) |
|----------------|-------------|-----------------|-------------------|---------------|----------------|-------------|-----------------|-------------------|---------------|
| 3500-14MGT-40F | 9356-0591 | 250 | 137.79 | 4.00 | 3850-14MGT-40F | 9356-0592 | 275 | 151.57 | 4.30 |
| 3500-14MGT-55F | 9356-0595 | 250 | 137.79 | 4.50 | 3850-14MGT-55F | 9356-0596 | 275 | 151.57 | 5.20 |
| 3500-14MGT-85F | 9356-0599 | 250 | 137.79 | 6.50 | 3850-14MGT-85F | 9356-0600 | 275 | 151.57 | 7.00 |

PowerGrip® HTD® Belts

PowerGrip HTD belts have a larger, more robust tooth profile for increased capacity, as compared to timing belts.

Markets/Applications

PowerGrip HTD belts are suitable for many applications including data storage, hand power tools, postage handling, food processors, office machines, centrifuges, money handling, medical diagnostic, sewing machines, ticket dispensers, robotics, vending machines and vacuum cleaners.

Features/Advantages

- **Fiberglass tensile cord** provides high strength, excellent flex life, and high resistance to elongation.
- **Neoprene body** provides protection against grime, grease, oil, and moisture.
- **Nylon tooth facing** provides a durable wear surface for long service life.
- Thirty percent increase in horsepower ratings, as compared to traditional timing belts.
- Eliminates lubrication and re-tensioning to reduce maintenance and labor required on drives.

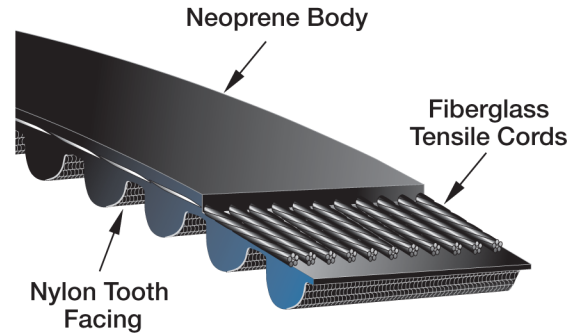
Recommended Sprockets

PowerGrip® HTD® Sprockets

Notes

PowerGrip HTD part numbers are comprised of pitch, pitch length and width. For example; part number 900-3M-15 denotes a 900mm pitch length, 3mm pitch and 15mm width.

Belt **pitch** is the distance in millimeters between two adjacent tooth centers as measured on the pitch line of the belt. Belt **pitch length** is the total length (circumference) in millimeters as measured along the pitch line. The theoretical pitch line of a PowerGrip HTD belt lies within the tensile member.



Product No. Series 9293

3mm Pitch — 6mm Wide

| Part No. | Product No. | Number of Teeth | Pitch Length (in) | Weight (Lbs.) | Part No. | Product No. | Number of Teeth | Pitch Length (in) | Weight (Lbs.) |
|-----------|-------------|-----------------|-------------------|---------------|-----------|-------------|-----------------|-------------------|---------------|
| 87-3M-06 | 9293-2000 | 29 | 3.43 | .01 | 240-3M-06 | 9293-0308 | 80 | 9.45 | .01 |
| 102-3M-06 | 9293-2001 | 34 | 4.02 | .01 | 246-3M-06 | 9293-2020 | 82 | 9.69 | .01 |
| 105-3M-06 | 9293-2002 | 35 | 4.13 | .01 | 252-3M-06 | 9293-0309 | 84 | 9.92 | .01 |
| 111-3M-06 | 9293-2003 | 37 | 4.37 | .01 | 255-3M-06 | 9293-0310 | 85 | 10.04 | .01 |
| 123-3M-06 | 9293-2004 | 41 | 4.84 | .01 | 258-3M-06 | 9293-2021 | 86 | 10.16 | .01 |
| 144-3M-06 | 9293-2005 | 48 | 5.67 | .01 | 261-3M-06 | 9293-2022 | 87 | 10.28 | .01 |
| 147-3M-06 | 9293-2006 | 49 | 5.79 | .01 | 264-3M-06 | 9293-2023 | 88 | 10.39 | .01 |
| 150-3M-06 | 9293-0300 | 50 | 5.91 | .01 | 267-3M-06 | 9293-0311 | 89 | 10.51 | .01 |
| 156-3M-06 | 9293-2007 | 52 | 6.14 | .01 | 276-3M-06 | 9293-2024 | 92 | 10.87 | .01 |
| 159-3M-06 | 9293-0301 | 53 | 6.26 | .01 | 282-3M-06 | 9293-2025 | 94 | 11.10 | .01 |
| 165-3M-06 | 9293-2008 | 55 | 6.50 | .01 | 285-3M-06 | 9293-0312 | 95 | 11.22 | .01 |
| 168-3M-06 | 9293-0302 | 56 | 6.61 | .01 | 288-3M-06 | 9293-2026 | 96 | 11.34 | .01 |
| 174-3M-06 | 9293-2009 | 58 | 6.85 | .01 | 291-3M-06 | 9293-2027 | 97 | 11.46 | .01 |
| 177-3M-06 | 9293-0303 | 59 | 6.97 | .01 | 297-3M-06 | 9293-2028 | 99 | 11.69 | .01 |
| 180-3M-06 | 9293-2010 | 60 | 7.09 | .01 | 300-3M-06 | 9293-0313 | 100 | 11.81 | .01 |
| 183-3M-06 | 9293-2011 | 61 | 7.20 | .01 | 312-3M-06 | 9293-0314 | 104 | 12.28 | .01 |
| 189-3M-06 | 9293-0304 | 63 | 7.44 | .01 | 315-3M-06 | 9293-2029 | 105 | 12.40 | .01 |
| 195-3M-06 | 9293-2012 | 65 | 7.68 | .01 | 318-3M-06 | 9293-0315 | 106 | 12.52 | .01 |
| 201-3M-06 | 9293-0305 | 67 | 7.91 | .01 | 324-3M-06 | 9293-2030 | 108 | 12.76 | .01 |
| 204-3M-06 | 9293-2013 | 68 | 8.03 | .01 | 330-3M-06 | 9293-2031 | 110 | 12.99 | .01 |
| 207-3M-06 | 9293-2014 | 69 | 8.15 | .01 | 333-3M-06 | 9293-2032 | 111 | 13.11 | .01 |
| 213-3M-06 | 9293-0306 | 71 | 8.39 | .01 | 336-3M-06 | 9293-2033 | 112 | 13.23 | .01 |
| 216-3M-06 | 9293-2015 | 72 | 8.50 | .01 | 339-3M-06 | 9293-0316 | 113 | 13.35 | .01 |
| 222-3M-06 | 9293-2016 | 74 | 8.74 | .01 | 345-3M-06 | 9293-2034 | 115 | 13.58 | .01 |
| 225-3M-06 | 9293-0307 | 75 | 8.86 | .01 | 357-3M-06 | 9293-0317 | 119 | 14.06 | .01 |
| 228-3M-06 | 9293-2017 | 76 | 8.98 | .01 | 360-3M-06 | 9293-2035 | 120 | 14.17 | .01 |
| 234-3M-06 | 9293-2018 | 78 | 9.21 | .01 | 363-3M-06 | 9293-0318 | 121 | 14.29 | .01 |
| 237-3M-06 | 9293-2019 | 79 | 9.33 | .01 | 366-3M-06 | 9293-2036 | 122 | 14.41 | .01 |

PowerGrip® HTD® Belts

Product No. Series 9293 (continued)

3mm Pitch — 6mm Wide (continued)

| Part No. | Product No. | Number of Teeth | Pitch Length (in) | Weight (Lbs.) | Part No. | Product No. | Number of Teeth | Pitch Length (in) | Weight (Lbs.) |
|-----------|-------------|-----------------|-------------------|---------------|------------|-------------|-----------------|-------------------|---------------|
| 369-3M-06 | 9293-2037 | 123 | 14.53 | .01 | 612-3M-06 | 9293-2068 | 204 | 24.09 | .02 |
| 381-3M-06 | 9293-2038 | 127 | 15.00 | .02 | 627-3M-06 | 9293-2069 | 209 | 24.69 | .02 |
| 384-3M-06 | 9293-0319 | 128 | 15.12 | .02 | 633-3M-06 | 9293-0331 | 211 | 24.92 | .02 |
| 387-3M-06 | 9293-2039 | 129 | 15.24 | .02 | 639-3M-06 | 9293-2070 | 213 | 25.16 | .02 |
| 390-3M-06 | 9293-0320 | 130 | 15.35 | .02 | 645-3M-06 | 9293-2071 | 215 | 25.39 | .02 |
| 396-3M-06 | 9293-2040 | 132 | 15.59 | .02 | 648-3M-06 | 9293-2072 | 216 | 25.51 | .02 |
| 399-3M-06 | 9293-0321 | 133 | 15.71 | .02 | 654-3M-06 | 9293-2073 | 218 | 25.75 | .02 |
| 405-3M-06 | 9293-2041 | 135 | 15.94 | .02 | 657-3M-06 | 9293-2074 | 219 | 25.87 | .02 |
| 411-3M-06 | 9293-2042 | 137 | 16.18 | .02 | 663-3M-06 | 9293-2075 | 221 | 26.10 | .02 |
| 417-3M-06 | 9293-2043 | 139 | 16.42 | .02 | 669-3M-06 | 9293-0332 | 223 | 26.34 | .02 |
| 420-3M-06 | 9293-0322 | 140 | 16.54 | .02 | 684-3M-06 | 9293-2076 | 228 | 26.93 | .03 |
| 426-3M-06 | 9293-2044 | 142 | 16.77 | .02 | 687-3M-06 | 9293-2077 | 229 | 27.05 | .02 |
| 432-3M-06 | 9293-2045 | 144 | 17.01 | .02 | 696-3M-06 | 9293-2078 | 232 | 27.40 | .03 |
| 435-3M-06 | 9293-2046 | 145 | 17.13 | .02 | 711-3M-06 | 9293-0333 | 237 | 27.99 | .03 |
| 438-3M-06 | 9293-2047 | 146 | 17.24 | .02 | 735-3M-06 | 9293-2079 | 245 | 28.94 | .03 |
| 444-3M-06 | 9293-2048 | 148 | 17.48 | .02 | 738-3M-06 | 9293-2080 | 246 | 29.06 | .03 |
| 447-3M-06 | 9293-0323 | 149 | 17.60 | .02 | 753-3M-06 | 9293-0334 | 251 | 29.65 | .03 |
| 459-3M-06 | 9293-2049 | 153 | 18.07 | .02 | 795-3M-06 | 9293-0335 | 265 | 31.30 | .03 |
| 468-3M-06 | 9293-2050 | 156 | 18.43 | .02 | 822-3M-06 | 9293-2081 | 274 | 32.36 | .03 |
| 471-3M-06 | 9293-2051 | 157 | 18.54 | .02 | 837-3M-06 | 9293-2082 | 279 | 32.95 | .03 |
| 474-3M-06 | 9293-0324 | 158 | 18.66 | .02 | 843-3M-06 | 9293-0336 | 281 | 33.19 | .03 |
| 480-3M-06 | 9293-2052 | 160 | 18.90 | .02 | 873-3M-06 | 9293-2083 | 291 | 34.37 | .03 |
| 486-3M-06 | 9293-0325 | 162 | 19.13 | .02 | 882-3M-06 | 9293-0337 | 294 | 34.72 | .03 |
| 489-3M-06 | 9293-2053 | 163 | 19.25 | .02 | 891-3M-06 | 9293-2084 | 297 | 35.08 | .03 |
| 492-3M-06 | 9293-2054 | 164 | 19.37 | .02 | 900-3M-06 | 9293-2085 | 300 | 35.43 | .03 |
| 501-3M-06 | 9293-0326 | 167 | 19.72 | .02 | 915-3M-06 | 9293-2086 | 305 | 36.02 | .03 |
| 510-3M-06 | 9293-2055 | 170 | 20.08 | .02 | 945-3M-06 | 9293-0338 | 315 | 37.20 | .03 |
| 513-3M-06 | 9293-0327 | 171 | 20.20 | .02 | 951-3M-06 | 9293-2087 | 317 | 37.44 | .04 |
| 519-3M-06 | 9293-2056 | 173 | 20.43 | .02 | 981-3M-06 | 9293-2088 | 327 | 38.62 | .04 |
| 525-3M-06 | 9293-2057 | 175 | 20.67 | .02 | 1002-3M-06 | 9293-0339 | 334 | 39.45 | .04 |
| 528-3M-06 | 9293-2058 | 176 | 20.79 | .02 | 1026-3M-06 | 9293-2089 | 342 | 40.39 | .04 |
| 531-3M-06 | 9293-0328 | 177 | 20.91 | .02 | 1035-3M-06 | 9293-2090 | 345 | 40.75 | .04 |
| 537-3M-06 | 9293-2059 | 179 | 21.14 | .02 | 1062-3M-06 | 9293-0340 | 354 | 41.81 | .04 |
| 558-3M-06 | 9293-2060 | 186 | 21.97 | .02 | 1125-3M-06 | 9293-0341 | 375 | 44.29 | .04 |
| 564-3M-06 | 9293-0329 | 188 | 22.20 | .02 | 1155-3M-06 | 9293-2091 | 385 | 45.47 | .04 |
| 570-3M-06 | 9293-2061 | 190 | 22.44 | .02 | 1191-3M-06 | 9293-0342 | 397 | 46.89 | .04 |
| 576-3M-06 | 9293-2062 | 192 | 22.68 | .02 | 1263-3M-06 | 9293-0343 | 421 | 49.72 | .04 |
| 585-3M-06 | 9293-2063 | 195 | 23.03 | .02 | 1500-3M-06 | 9293-2092 | 500 | 59.06 | .05 |
| 591-3M-06 | 9293-2064 | 197 | 23.27 | .02 | 1512-3M-06 | 9293-2093 | 504 | 59.53 | .05 |
| 597-3M-06 | 9293-0330 | 199 | 23.50 | .02 | 1587-3M-06 | 9293-2094 | 529 | 62.48 | .05 |
| 600-3M-06 | 9293-2065 | 200 | 23.62 | .02 | 1956-3M-06 | 9293-2095 | 652 | 77.01 | .07 |
| 606-3M-06 | 9293-2066 | 202 | 23.86 | .02 | 2004-3M-06 | 9293-2096 | 668 | 78.90 | .07 |
| 609-3M-06 | 9293-2067 | 203 | 23.98 | .02 | | | | | |

3mm Pitch — 9mm Wide

| Part No. | Product No. | Number of Teeth | Pitch Length (in) | Weight (Lbs.) | Part No. | Product No. | Number of Teeth | Pitch Length (in) | Weight (Lbs.) |
|-----------|-------------|-----------------|-------------------|---------------|-----------|-------------|-----------------|-------------------|---------------|
| 87-3M-09 | 9293-2200 | 29 | 3.43 | .01 | 168-3M-09 | 9293-0346 | 56 | 6.61 | .01 |
| 102-3M-09 | 9293-2201 | 34 | 4.02 | .01 | 174-3M-09 | 9293-2209 | 58 | 6.85 | .01 |
| 105-3M-09 | 9293-2202 | 35 | 4.13 | .01 | 177-3M-09 | 9293-0347 | 59 | 6.97 | .01 |
| 111-3M-09 | 9293-2203 | 37 | 4.37 | .01 | 180-3M-09 | 9293-2210 | 60 | 7.09 | .01 |
| 123-3M-09 | 9293-2204 | 41 | 4.84 | .01 | 183-3M-09 | 9293-2211 | 61 | 7.20 | .01 |
| 144-3M-09 | 9293-2205 | 48 | 5.67 | .01 | 189-3M-09 | 9293-0348 | 63 | 7.44 | .01 |
| 147-3M-09 | 9293-2206 | 49 | 5.79 | .01 | 195-3M-09 | 9293-2212 | 65 | 7.68 | .01 |
| 150-3M-09 | 9293-0344 | 50 | 5.91 | .01 | 201-3M-09 | 9293-0349 | 67 | 7.91 | .01 |
| 156-3M-09 | 9293-2207 | 52 | 6.14 | .01 | 204-3M-09 | 9293-2213 | 68 | 8.03 | .01 |
| 159-3M-09 | 9293-0345 | 53 | 6.26 | .01 | 207-3M-09 | 9293-2214 | 69 | 8.15 | .01 |
| 165-3M-09 | 9293-2208 | 55 | 6.50 | .01 | 213-3M-09 | 9293-0350 | 71 | 8.39 | .01 |

POWERGRIP HTD BELTS

PowerGrip® HTD® Belts

Product No. Series 9293 (continued)

3mm Pitch — 9mm Wide (continued)

| Part No. | Product No. | Number of Teeth | Pitch Length (in) | Weight (Lbs.) | Part No. | Product No. | Number of Teeth | Pitch Length (in) | Weight (Lbs.) |
|-----------|-------------|-----------------|-------------------|---------------|------------|-------------|-----------------|-------------------|---------------|
| 216-3M-09 | 9293-2215 | 72 | 8.50 | .01 | 510-3M-09 | 9293-2255 | 170 | 20.08 | .03 |
| 222-3M-09 | 9293-2216 | 74 | 8.74 | .01 | 513-3M-09 | 9293-0371 | 171 | 20.20 | .03 |
| 225-3M-09 | 9293-0351 | 75 | 8.86 | .01 | 519-3M-09 | 9293-2256 | 173 | 20.43 | .03 |
| 228-3M-09 | 9293-2217 | 76 | 8.98 | .01 | 525-3M-09 | 9293-2257 | 175 | 20.67 | .03 |
| 234-3M-09 | 9293-2218 | 78 | 9.21 | .01 | 528-3M-09 | 9293-2258 | 176 | 20.79 | .03 |
| 237-3M-09 | 9293-2219 | 79 | 9.33 | .01 | 531-3M-09 | 9293-0372 | 177 | 20.91 | .03 |
| 240-3M-09 | 9293-0352 | 80 | 9.45 | .01 | 537-3M-09 | 9293-2259 | 179 | 21.14 | .03 |
| 246-3M-09 | 9293-2220 | 82 | 9.69 | .01 | 558-3M-09 | 9293-2260 | 186 | 21.97 | .03 |
| 252-3M-09 | 9293-0353 | 84 | 9.92 | .01 | 564-3M-09 | 9293-0373 | 188 | 22.20 | .03 |
| 255-3M-09 | 9293-0354 | 85 | 10.04 | .02 | 570-3M-09 | 9293-2261 | 190 | 22.44 | .03 |
| 258-3M-09 | 9293-2221 | 86 | 10.16 | .02 | 576-3M-09 | 9293-2262 | 192 | 22.68 | .03 |
| 261-3M-09 | 9293-2222 | 87 | 10.28 | .02 | 585-3M-09 | 9293-2263 | 195 | 23.03 | .03 |
| 264-3M-09 | 9293-2223 | 88 | 10.39 | .02 | 591-3M-09 | 9293-2264 | 197 | 23.27 | .03 |
| 267-3M-09 | 9293-0355 | 89 | 10.51 | .02 | 597-3M-09 | 9293-0374 | 199 | 23.50 | .03 |
| 276-3M-09 | 9293-2224 | 92 | 10.87 | .02 | 600-3M-09 | 9293-2265 | 200 | 23.62 | .03 |
| 282-3M-09 | 9293-2225 | 94 | 11.10 | .02 | 606-3M-09 | 9293-2266 | 202 | 23.86 | .04 |
| 285-3M-09 | 9293-0356 | 95 | 11.22 | .02 | 609-3M-09 | 9293-2267 | 203 | 23.98 | .04 |
| 288-3M-09 | 9293-2226 | 96 | 11.34 | .02 | 612-3M-09 | 9293-2268 | 204 | 24.09 | .04 |
| 291-3M-09 | 9293-2227 | 97 | 11.46 | .02 | 627-3M-09 | 9293-2269 | 209 | 24.69 | .04 |
| 297-3M-09 | 9293-2228 | 99 | 11.69 | .02 | 633-3M-09 | 9293-0375 | 211 | 24.92 | .04 |
| 300-3M-09 | 9293-0357 | 100 | 11.81 | .02 | 639-3M-09 | 9293-2270 | 213 | 25.16 | .04 |
| 312-3M-09 | 9293-0358 | 104 | 12.28 | .02 | 645-3M-09 | 9293-2271 | 215 | 25.39 | .04 |
| 315-3M-09 | 9293-2229 | 105 | 12.40 | .02 | 648-3M-09 | 9293-2272 | 216 | 25.51 | .04 |
| 318-3M-09 | 9293-0359 | 106 | 12.52 | .02 | 654-3M-09 | 9293-2273 | 218 | 25.75 | .04 |
| 324-3M-09 | 9293-2230 | 108 | 12.76 | .02 | 657-3M-09 | 9293-2274 | 219 | 25.87 | .04 |
| 330-3M-09 | 9293-2231 | 110 | 12.99 | .02 | 663-3M-09 | 9293-2275 | 221 | 26.10 | .04 |
| 333-3M-09 | 9293-2232 | 111 | 13.11 | .02 | 669-3M-09 | 9293-0376 | 223 | 26.34 | .04 |
| 336-3M-09 | 9293-2233 | 112 | 13.23 | .02 | 684-3M-09 | 9293-2276 | 228 | 26.93 | .04 |
| 339-3M-09 | 9293-0360 | 113 | 13.35 | .02 | 687-3M-09 | 9293-2277 | 229 | 27.05 | .04 |
| 345-3M-09 | 9293-2234 | 115 | 13.58 | .02 | 696-3M-09 | 9293-2278 | 232 | 27.40 | .04 |
| 357-3M-09 | 9293-0361 | 119 | 14.06 | .02 | 711-3M-09 | 9293-0377 | 237 | 27.99 | .04 |
| 360-3M-09 | 9293-2235 | 120 | 14.17 | .02 | 735-3M-09 | 9293-2279 | 245 | 28.94 | .04 |
| 363-3M-09 | 9293-0362 | 121 | 14.29 | .02 | 738-3M-09 | 9293-2280 | 246 | 29.06 | .04 |
| 366-3M-09 | 9293-2236 | 122 | 14.41 | .02 | 753-3M-09 | 9293-0378 | 251 | 29.65 | .04 |
| 369-3M-09 | 9293-2237 | 123 | 14.53 | .02 | 795-3M-09 | 9293-0379 | 265 | 31.30 | .04 |
| 381-3M-09 | 9293-2238 | 127 | 15.00 | .02 | 822-3M-09 | 9293-2281 | 274 | 32.36 | .05 |
| 384-3M-09 | 9293-0363 | 128 | 15.12 | .02 | 837-3M-09 | 9293-2282 | 279 | 32.95 | .05 |
| 387-3M-09 | 9293-2239 | 129 | 15.24 | .02 | 843-3M-09 | 9293-0380 | 281 | 33.19 | .05 |
| 390-3M-09 | 9293-0364 | 130 | 15.35 | .02 | 873-3M-09 | 9293-2283 | 291 | 34.37 | .05 |
| 396-3M-09 | 9293-2240 | 132 | 15.59 | .02 | 882-3M-09 | 9293-0381 | 294 | 34.72 | .05 |
| 399-3M-09 | 9293-0365 | 133 | 15.71 | .02 | 891-3M-09 | 9293-2284 | 297 | 35.08 | .05 |
| 405-3M-09 | 9293-2241 | 135 | 15.94 | .02 | 900-3M-09 | 9293-2285 | 300 | 35.43 | .05 |
| 411-3M-09 | 9293-2242 | 137 | 16.18 | .02 | 915-3M-09 | 9293-2286 | 305 | 36.02 | .05 |
| 417-3M-09 | 9293-2243 | 139 | 16.42 | .02 | 945-3M-09 | 9293-0382 | 315 | 37.20 | .05 |
| 420-3M-09 | 9293-0366 | 140 | 16.54 | .02 | 951-3M-09 | 9293-2287 | 317 | 37.44 | .05 |
| 426-3M-09 | 9293-2244 | 142 | 16.77 | .02 | 981-3M-09 | 9293-2288 | 327 | 38.62 | .05 |
| 432-3M-09 | 9293-2245 | 144 | 17.01 | .02 | 1002-3M-09 | 9293-0383 | 334 | 39.45 | .05 |
| 435-3M-09 | 9293-2246 | 145 | 17.13 | .02 | 1026-3M-09 | 9293-2289 | 342 | 40.39 | .05 |
| 438-3M-09 | 9293-2247 | 146 | 17.24 | .03 | 1035-3M-09 | 9293-2290 | 345 | 40.75 | .05 |
| 444-3M-09 | 9293-2248 | 148 | 17.48 | .03 | 1062-3M-09 | 9293-0384 | 354 | 41.81 | .05 |
| 447-3M-09 | 9293-0367 | 149 | 17.60 | .03 | 1125-3M-09 | 9293-0385 | 375 | 44.29 | .06 |
| 459-3M-09 | 9293-2249 | 153 | 18.07 | .03 | 1155-3M-09 | 9293-2291 | 385 | 45.47 | .06 |
| 468-3M-09 | 9293-2250 | 156 | 18.43 | .03 | 1191-3M-09 | 9293-0386 | 397 | 46.89 | .06 |
| 471-3M-09 | 9293-2251 | 157 | 18.54 | .03 | 1263-3M-09 | 9293-0387 | 421 | 49.72 | .07 |
| 474-3M-09 | 9293-0368 | 158 | 18.66 | .03 | 1500-3M-09 | 9293-2292 | 500 | 59.06 | .08 |
| 480-3M-09 | 9293-2252 | 160 | 18.90 | .03 | 1512-3M-09 | 9293-2293 | 504 | 59.53 | .08 |
| 486-3M-09 | 9293-0369 | 162 | 19.13 | .03 | 1587-3M-09 | 9293-2294 | 529 | 62.48 | .08 |
| 489-3M-09 | 9293-2253 | 163 | 19.25 | .03 | 1956-3M-09 | 9293-2295 | 652 | 77.01 | .11 |
| 492-3M-09 | 9293-2254 | 164 | 19.37 | .03 | 2004-3M-09 | 9293-2296 | 668 | 78.90 | .11 |
| 501-3M-09 | 9293-0370 | 167 | 19.72 | .03 | | | | | |

POWERGRIP HTD BELTS

PowerGrip® HTD® Belts

Product No. Series 9293 (continued)

3mm Pitch — 15mm Wide

| Part No. | Product No. | Number of Teeth | Pitch Length (in) | Weight (Lbs.) | Part No. | Product No. | Number of Teeth | Pitch Length (in) | Weight (Lbs.) |
|-----------|-------------|-----------------|-------------------|---------------|-----------|-------------|-----------------|-------------------|---------------|
| 87-3M-15 | 9293-2400 | 29 | 3.43 | .01 | 390-3M-15 | 9293-0408 | 130 | 15.35 | .04 |
| 102-3M-15 | 9293-2401 | 34 | 4.02 | .01 | 396-3M-15 | 9293-2440 | 132 | 15.59 | .04 |
| 105-3M-15 | 9293-2402 | 35 | 4.13 | .01 | 399-3M-15 | 9293-0409 | 133 | 15.71 | .04 |
| 111-3M-15 | 9293-2403 | 37 | 4.37 | .01 | 405-3M-15 | 9293-2441 | 135 | 15.94 | .04 |
| 123-3M-15 | 9293-2404 | 41 | 4.84 | .01 | 411-3M-15 | 9293-2442 | 137 | 16.18 | .04 |
| 144-3M-15 | 9293-2405 | 48 | 5.67 | .02 | 417-3M-15 | 9293-2443 | 139 | 16.42 | .04 |
| 147-3M-15 | 9293-2406 | 49 | 5.79 | .02 | 420-3M-15 | 9293-0410 | 140 | 16.54 | .04 |
| 150-3M-15 | 9293-0388 | 50 | 5.91 | .02 | 426-3M-15 | 9293-2444 | 142 | 16.77 | .04 |
| 156-3M-15 | 9293-2407 | 52 | 6.14 | .02 | 432-3M-15 | 9293-2445 | 144 | 17.01 | .04 |
| 159-3M-15 | 9293-0389 | 53 | 6.26 | .02 | 435-3M-15 | 9293-2446 | 145 | 17.13 | .04 |
| 165-3M-15 | 9293-2408 | 55 | 6.50 | .02 | 438-3M-15 | 9293-2447 | 146 | 17.24 | .04 |
| 168-3M-15 | 9293-0390 | 56 | 6.61 | .02 | 444-3M-15 | 9293-2448 | 148 | 17.48 | .04 |
| 174-3M-15 | 9293-2409 | 58 | 6.85 | .02 | 447-3M-15 | 9293-0411 | 149 | 17.60 | .04 |
| 177-3M-15 | 9293-0391 | 59 | 6.97 | .02 | 459-3M-15 | 9293-2449 | 153 | 18.07 | .04 |
| 180-3M-15 | 9293-2410 | 60 | 7.09 | .02 | 468-3M-15 | 9293-2450 | 156 | 18.43 | .04 |
| 183-3M-15 | 9293-2411 | 61 | 7.20 | .02 | 471-3M-15 | 9293-2451 | 157 | 18.54 | .04 |
| 189-3M-15 | 9293-0392 | 63 | 7.44 | .02 | 474-3M-15 | 9293-0412 | 158 | 18.66 | .04 |
| 195-3M-15 | 9293-2412 | 65 | 7.68 | .02 | 480-3M-15 | 9293-2452 | 160 | 18.90 | .04 |
| 201-3M-15 | 9293-0393 | 67 | 7.91 | .02 | 486-3M-15 | 9293-0413 | 162 | 19.13 | .05 |
| 204-3M-15 | 9293-2413 | 68 | 8.03 | .02 | 489-3M-15 | 9293-2453 | 164 | 19.25 | .05 |
| 207-3M-15 | 9293-2414 | 69 | 8.15 | .02 | 492-3M-15 | 9293-2454 | 164 | 19.37 | .05 |
| 213-3M-15 | 9293-0394 | 71 | 8.39 | .02 | 501-3M-15 | 9293-0414 | 167 | 19.72 | .05 |
| 216-3M-15 | 9293-2415 | 72 | 8.50 | .02 | 510-3M-15 | 9293-2455 | 170 | 20.08 | .05 |
| 222-3M-15 | 9293-2416 | 74 | 8.74 | .02 | 513-3M-15 | 9293-0415 | 171 | 20.20 | .05 |
| 225-3M-15 | 9293-0395 | 75 | 8.86 | .02 | 519-3M-15 | 9293-2456 | 173 | 20.43 | .05 |
| 228-3M-15 | 9293-2417 | 76 | 8.98 | .02 | 525-3M-15 | 9293-2457 | 175 | 20.67 | .05 |
| 234-3M-15 | 9293-2418 | 78 | 9.21 | .02 | 528-3M-15 | 9293-2458 | 176 | 20.79 | .05 |
| 237-3M-15 | 9293-2419 | 79 | 9.33 | .02 | 531-3M-15 | 9293-0416 | 177 | 20.91 | .05 |
| 240-3M-15 | 9293-0396 | 80 | 9.45 | .02 | 537-3M-15 | 9293-2459 | 179 | 21.14 | .05 |
| 246-3M-15 | 9293-2420 | 82 | 9.69 | .02 | 558-3M-15 | 9293-2460 | 186 | 21.97 | .05 |
| 252-3M-15 | 9293-0397 | 84 | 9.92 | .02 | 564-3M-15 | 9293-0417 | 188 | 22.20 | .05 |
| 255-3M-15 | 9293-0398 | 85 | 10.04 | .02 | 570-3M-15 | 9293-2461 | 190 | 22.44 | .05 |
| 258-3M-15 | 9293-2421 | 86 | 10.16 | .03 | 576-3M-15 | 9293-2462 | 192 | 22.68 | .05 |
| 261-3M-15 | 9293-2422 | 87 | 10.28 | .03 | 585-3M-15 | 9293-2463 | 195 | 23.03 | .05 |
| 264-3M-15 | 9293-2423 | 88 | 10.39 | .03 | 591-3M-15 | 9293-2464 | 197 | 23.27 | .05 |
| 267-3M-15 | 9293-0399 | 89 | 10.51 | .03 | 597-3M-15 | 9293-0418 | 199 | 23.50 | .05 |
| 276-3M-15 | 9293-2424 | 92 | 10.87 | .03 | 600-3M-15 | 9293-2465 | 200 | 23.62 | .05 |
| 282-3M-15 | 9293-2425 | 94 | 11.10 | .03 | 606-3M-15 | 9293-2466 | 202 | 23.86 | .06 |
| 285-3M-15 | 9293-0400 | 95 | 11.22 | .03 | 609-3M-15 | 9293-2467 | 203 | 23.98 | .06 |
| 288-3M-15 | 9293-2426 | 96 | 11.34 | .03 | 612-3M-15 | 9293-2468 | 204 | 24.09 | .06 |
| 291-3M-15 | 9293-2427 | 97 | 11.46 | .03 | 627-3M-15 | 9293-2469 | 209 | 24.69 | .06 |
| 297-3M-15 | 9293-2428 | 99 | 11.69 | .03 | 633-3M-15 | 9293-0419 | 211 | 24.92 | .06 |
| 300-3M-15 | 9293-0401 | 100 | 11.81 | .03 | 639-3M-15 | 9293-2470 | 213 | 25.16 | .06 |
| 312-3M-15 | 9293-0402 | 104 | 12.28 | .03 | 645-3M-15 | 9293-2471 | 215 | 25.39 | .06 |
| 315-3M-15 | 9293-2429 | 105 | 12.40 | .03 | 648-3M-15 | 9293-2472 | 216 | 25.51 | .06 |
| 318-3M-15 | 9293-0403 | 106 | 12.52 | .03 | 654-3M-15 | 9293-2473 | 218 | 25.75 | .06 |
| 324-3M-15 | 9293-2430 | 108 | 12.76 | .03 | 657-3M-15 | 9293-2474 | 219 | 25.87 | .06 |
| 330-3M-15 | 9293-2431 | 110 | 12.99 | .03 | 663-3M-15 | 9293-2475 | 221 | 26.10 | .06 |
| 333-3M-15 | 9293-2432 | 111 | 13.11 | .03 | 669-3M-15 | 9293-0420 | 223 | 26.34 | .06 |
| 336-3M-15 | 9293-2433 | 112 | 13.23 | .03 | 684-3M-15 | 9293-2476 | 228 | 26.93 | .07 |
| 339-3M-15 | 9293-0404 | 113 | 13.35 | .03 | 687-3M-15 | 9293-2477 | 229 | 27.05 | .07 |
| 345-3M-15 | 9293-2434 | 115 | 13.58 | .03 | 696-3M-15 | 9293-2478 | 232 | 27.40 | .07 |
| 357-3M-15 | 9293-0405 | 119 | 14.06 | .03 | 711-3M-15 | 9293-0421 | 237 | 27.99 | .07 |
| 360-3M-15 | 9293-2435 | 120 | 14.17 | .03 | 735-3M-15 | 9293-2479 | 245 | 28.94 | .07 |
| 363-3M-15 | 9293-0406 | 121 | 14.29 | .03 | 738-3M-15 | 9293-2480 | 246 | 29.06 | .07 |
| 366-3M-15 | 9293-2436 | 122 | 14.41 | .04 | 753-3M-15 | 9293-0422 | 251 | 29.65 | .07 |
| 369-3M-15 | 9293-2437 | 123 | 14.53 | .04 | 795-3M-15 | 9293-0423 | 265 | 31.30 | .08 |
| 381-3M-15 | 9293-2438 | 127 | 15.00 | .04 | 822-3M-15 | 9293-2481 | 274 | 32.36 | .08 |
| 384-3M-15 | 9293-0407 | 128 | 15.12 | .04 | 837-3M-15 | 9293-2482 | 279 | 32.95 | .08 |
| 387-3M-15 | 9293-2439 | 129 | 15.24 | .04 | 843-3M-15 | 9293-0424 | 281 | 33.19 | .08 |

PowerGrip® HTD® Belts

Product No. Series 9293 (continued)

3mm Pitch — 15mm Wide (continued)

| Part No. | Product No. | Number of Teeth | Pitch Length (in) | Weight (Lbs.) | Part No. | Product No. | Number of Teeth | Pitch Length (in) | Weight (Lbs.) |
|------------|-------------|-----------------|-------------------|---------------|------------|-------------|-----------------|-------------------|---------------|
| 873-3M-15 | 9293-2483 | 291 | 34.37 | .09 | 1062-3M-15 | 9293-0428 | 354 | 41.81 | .11 |
| 882-3M-15 | 9293-0425 | 294 | 34.72 | .09 | 1125-3M-15 | 9293-0429 | 375 | 44.29 | .11 |
| 891-3M-15 | 9293-2484 | 297 | 35.08 | .09 | 1155-3M-15 | 9293-2491 | 385 | 40.47 | .11 |
| 900-3M-15 | 9293-2485 | 300 | 35.43 | .09 | 1191-3M-15 | 9293-0430 | 397 | 46.89 | .12 |
| 915-3M-15 | 9293-2486 | 305 | 36.02 | .09 | 1263-3M-15 | 9293-0431 | 421 | 49.72 | .13 |
| 945-3M-15 | 9293-0426 | 315 | 37.20 | .10 | 1500-3M-15 | 9293-2492 | 500 | 59.06 | .15 |
| 951-3M-15 | 9293-2487 | 317 | 37.44 | .10 | 1512-3M-15 | 9293-2493 | 504 | 59.53 | .15 |
| 981-3M-15 | 9293-2488 | 327 | 38.62 | .10 | 1587-3M-15 | 9293-2494 | 529 | 62.48 | .16 |
| 1002-3M-15 | 9293-0427 | 334 | 39.45 | .10 | 1956-3M-15 | 9293-2495 | 652 | 77.01 | .19 |
| 1026-3M-15 | 9293-2489 | 342 | 40.39 | .10 | 2004-3M-15 | 9293-2496 | 668 | 78.90 | .20 |
| 1035-3M-15 | 9293-2490 | 345 | 40.75 | .10 | | | | | |

5mm Pitch — 9mm Wide

| Part No. | Product No. | Number of Teeth | Pitch Length (in) | Weight (Lbs.) | Part No. | Product No. | Number of Teeth | Pitch Length (in) | Weight (Lbs.) |
|-----------|-------------|-----------------|-------------------|---------------|------------|-------------|-----------------|-------------------|---------------|
| 180-5M-09 | 9293-90090 | 36 | 7.09 | .65 | 600-5M-09 | 9293-0509 | 120 | 23.62 | .04 |
| 200-5M-09 | 9293-2600 | 40 | 7.87 | .02 | 610-5M-09 | 9293-90126 | 122 | 24.02 | .04 |
| 225-5M-09 | 9293-40426 | 45 | 8.86 | .35 | 615-5M-09 | 9293-2616 | 123 | 24.21 | .05 |
| 240-5M-09 | 9293-2601 | 48 | 9.45 | .02 | 635-5M-09 | 9293-0510 | 127 | 25.00 | .05 |
| 255-5M-09 | 9293-2699 | 51 | 10.03 | .02 | 640-5M-09 | 9293-90129 | 128 | 25.20 | .05 |
| 260-5M-09 | 9293-2602 | 52 | 10.24 | .02 | 645-5M-09 | 9293-40633 | 129 | 25.39 | .06 |
| 265-5M-09 | 9293-90097 | 53 | 10.43 | .87 | 655-5M-09 | 9293-2617 | 131 | 25.79 | .05 |
| 270-5M-09 | 9293-2603 | 54 | 10.63 | .02 | 665-5M-09 | 9293-2618 | 133 | 26.18 | .05 |
| 280-5M-09 | 9293-40445 | 56 | 11.02 | .53 | 670-5M-09 | 9293-0511 | 134 | 26.38 | .05 |
| 285-5M-09 | 9293-2604 | 57 | 11.22 | .02 | 680-5M-09 | 9293-2619 | 136 | 26.77 | .05 |
| 295-5M-09 | 9293-0491 | 59 | 11.61 | .37 | 685-5M-09 | 9293-2620 | 137 | 26.97 | .05 |
| 300-5M-09 | 9293-2605 | 60 | 11.81 | .02 | 695-5M-09 | 9293-2621 | 139 | 27.36 | .05 |
| 305-5M-09 | 9293-31031 | 61 | 12.01 | .02 | 710-5M-09 | 9293-0512 | 142 | 27.95 | .05 |
| 310-5M-09 | 9293-2606 | 62 | 12.20 | .03 | 720-5M-09 | 9293-53059 | 144 | 28.35 | .09 |
| 320-5M-09 | 9293-2607 | 64 | 12.60 | .03 | 740-5M-09 | 9293-0513 | 148 | 29.13 | .05 |
| 325-5M-09 | 9293-90105 | 65 | 12.80 | .04 | 745-5M-09 | 9293-2622 | 149 | 29.33 | .06 |
| 330-5M-09 | 9293-0496 | 66 | 12.99 | .07 | 755-5M-09 | 9293-90138 | 151 | 29.72 | .06 |
| 340-5M-09 | 9293-40489 | 68 | 13.39 | .03 | 765-5M-09 | 9293-2623 | 153 | 30.12 | .06 |
| 345-5M-09 | 9293-40495 | 69 | 13.58 | .03 | 770-5M-09 | 9293-40880 | 154 | 30.31 | .06 |
| 350-5M-09 | 9293-0500 | 70 | 13.78 | .03 | 775-5M-09 | 9293-52022 | 155 | 30.51 | .06 |
| 360-5M-09 | 9293-31036 | 72 | 14.17 | .03 | 790-5M-09 | 9293-2624 | 158 | 31.10 | .06 |
| 365-5M-09 | 9293-0497 | 73 | 14.37 | .03 | 800-5M-09 | 9293-0514 | 160 | 31.50 | .06 |
| 370-5M-09 | 9293-40516 | 74 | 14.57 | .03 | 825-5M-09 | 9293-40465 | 165 | 32.48 | .04 |
| 375-5M-09 | 9293-0501 | 75 | 14.76 | .03 | 830-5M-09 | 9293-2625 | 166 | 32.68 | .06 |
| 385-5M-09 | 9293-40526 | 77 | 15.16 | .03 | 835-5M-09 | 9293-2626 | 167 | 32.87 | .07 |
| 400-5M-09 | 9293-0502 | 80 | 15.75 | .03 | 850-5M-09 | 9293-0515 | 170 | 33.46 | .07 |
| 415-5M-09 | 9293-2608 | 83 | 16.34 | .03 | 860-5M-09 | 9293-40671 | 172 | 33.85 | .07 |
| 420-5M-09 | 9293-55016 | 84 | 16.54 | .04 | 870-5M-09 | 9293-2627 | 174 | 34.25 | .07 |
| 425-5M-09 | 9293-0503 | 85 | 16.73 | .03 | 890-5M-09 | 9293-0516 | 178 | 35.04 | .08 |
| 450-5M-09 | 9293-0504 | 90 | 17.72 | .03 | 925-5M-09 | 9293-2628 | 185 | 36.42 | .08 |
| 460-5M-09 | 9293-2609 | 92 | 18.11 | .03 | 935-5M-09 | 9293-90144 | 187 | 36.81 | .07 |
| 475-5M-09 | 9293-0505 | 95 | 18.70 | .03 | 940-5M-09 | 9293-40883 | 188 | 37.01 | .08 |
| 480-5M-09 | 9293-2610 | 96 | 18.90 | .04 | 950-5M-09 | 9293-0517 | 190 | 37.40 | .08 |
| 495-5M-09 | 9293-2611 | 99 | 19.49 | .04 | 975-5M-09 | 9293-2629 | 195 | 38.39 | .08 |
| 500-5M-09 | 9293-0506 | 100 | 19.69 | .04 | 980-5M-09 | 9293-40692 | 196 | 38.58 | .21 |
| 520-5M-09 | 9293-2612 | 104 | 20.47 | .04 | 985-5M-09 | 9293-2630 | 197 | 38.78 | .08 |
| 535-5M-09 | 9293-0507 | 107 | 21.06 | .04 | 1000-5M-09 | 9293-0518 | 200 | 39.37 | .08 |
| 550-5M-09 | 9293-40589 | 110 | 13.39 | .05 | 1025-5M-09 | 9293-40889 | 205 | 40.35 | .14 |
| 555-5M-09 | 9293-2613 | 111 | 21.85 | .04 | 1035-5M-09 | 9293-90147 | 207 | 40.75 | .07 |
| 560-5M-09 | 9293-31056 | 112 | 22.05 | .04 | 1050-5M-09 | 9293-0519 | 210 | 41.34 | .08 |
| 565-5M-09 | 9293-0508 | 113 | 22.24 | .04 | 1100-5M-09 | 9293-90150 | 220 | 43.31 | .08 |
| 580-5M-09 | 9293-2614 | 116 | 22.83 | .04 | 1115-5M-09 | 9293-2631 | 223 | 43.90 | .09 |
| 585-5M-09 | 9293-2615 | 117 | 23.03 | .04 | 1125-5M-09 | 9293-0520 | 225 | 44.29 | .09 |

POWERGRIP HTD BELTS

PowerGrip® HTD® Belts

Product No. Series 9293 (continued)

5mm Pitch — 9mm Wide (continued)

| Part No. | Product No. | Number of Teeth | Pitch Length (in) | Weight (Lbs.) | Part No. | Product No. | Number of Teeth | Pitch Length (in) | Weight (Lbs.) |
|------------|-------------|-----------------|-------------------|---------------|------------|-------------|-----------------|-------------------|---------------|
| 1135-5M-09 | 9293-40891 | 227 | 44.68 | .09 | 1800-5M-09 | 9293-2638 | 360 | 70.87 | .15 |
| 1175-5M-09 | 9293-40894 | 235 | 46.26 | .10 | 1870-5M-09 | 9293-31187 | 374 | 73.62 | .14 |
| 1195-5M-09 | 9293-0521 | 239 | 47.05 | .09 | 1895-5M-09 | 9293-0527 | 379 | 74.61 | .16 |
| 1200-5M-09 | 9293-90153 | 240 | 47.24 | .09 | 1945-5M-09 | 9293-2639 | 389 | 76.57 | .16 |
| 1225-5M-09 | 9293-52128 | 245 | 48.23 | .09 | 1980-5M-09 | 9293-2640 | 396 | 77.95 | .17 |
| 1250-5M-09 | 9293-2632 | 250 | 49.21 | .10 | 2000-5M-09 | 9293-0528 | 400 | 78.74 | .17 |
| 1270-5M-09 | 9293-0522 | 254 | 50.00 | .10 | 2100-5M-09 | 9293-52140 | 420 | 82.68 | .21 |
| 1295-5M-09 | 9293-2633 | 259 | 50.98 | .10 | 2110-5M-09 | 9293-2641 | 422 | 83.07 | .18 |
| 1350-5M-09 | 9293-41193 | 270 | 53.15 | .32 | 2250-5M-09 | 9293-0529 | 450 | 88.58 | .19 |
| 1375-5M-09 | 9293-2634 | 275 | 54.13 | .11 | 2350-5M-09 | 9293-52148 | 470 | 92.52 | .44 |
| 1420-5M-09 | 9293-0523 | 284 | 55.91 | .12 | 2525-5M-09 | 9293-0530 | 505 | 99.40 | .22 |
| 1575-5M-09 | 9293-2635 | 315 | 62.01 | .13 | 2760-5M-09 | 9293-2642 | 552 | 108.66 | .23 |
| 1595-5M-09 | 9293-0524 | 319 | 62.80 | .14 | 3120-5M-09 | 9293-2643 | 624 | 122.83 | .26 |
| 1635-5M-09 | 9293-2636 | 327 | 64.37 | .13 | 3170-5M-09 | 9293-2644 | 634 | 124.80 | .27 |
| 1690-5M-09 | 9293-0525 | 338 | 66.54 | .14 | 3430-5M-09 | 9293-2645 | 686 | 135.04 | .29 |
| 1720-5M-09 | 9293-2637 | 344 | 67.72 | .14 | 3800-5M-09 | 9293-2646 | 760 | 149.61 | .33 |
| 1790-5M-09 | 9293-0526 | 358 | 70.47 | .15 | | | | | |

5mm Pitch — 15mm Wide

| Part No. | Product No. | Number of Teeth | Pitch Length (in) | Weight (Lbs.) | Part No. | Product No. | Number of Teeth | Pitch Length (in) | Weight (Lbs.) |
|-----------|-------------|-----------------|-------------------|---------------|-----------|-------------|-----------------|-------------------|---------------|
| 180-5M-15 | 9293-90091 | 36 | 7.09 | .84 | 550-5M-15 | 9293-40591 | 110 | 21.65 | .08 |
| 200-5M-15 | 9293-2700 | 40 | 7.87 | .03 | 555-5M-15 | 9293-2713 | 111 | 21.85 | .06 |
| 225-5M-15 | 9293-40431 | 45 | 8.86 | .59 | 560-5M-15 | 9293-32056 | 112 | 22.05 | .07 |
| 240-5M-15 | 9293-2701 | 48 | 9.45 | .03 | 565-5M-15 | 9293-0539 | 113 | 22.24 | .06 |
| 255-5M-15 | 9293-40436 | 51 | 10.04 | .33 | 580-5M-15 | 9293-2714 | 116 | 22.83 | .07 |
| 260-5M-15 | 9293-2702 | 52 | 10.24 | .03 | 585-5M-15 | 9293-2715 | 117 | 23.03 | .08 |
| 265-5M-15 | 9293-90098 | 53 | 10.43 | 1.53 | 600-5M-15 | 9293-0540 | 120 | 23.62 | .08 |
| 270-5M-15 | 9293-2703 | 54 | 10.63 | .03 | 610-5M-15 | 9293-90127 | 122 | 24.02 | .07 |
| 280-5M-15 | 9293-40447 | 56 | 11.02 | .95 | 615-5M-15 | 9293-2716 | 123 | 24.21 | .08 |
| 285-5M-15 | 9293-2704 | 57 | 11.22 | .03 | 635-5M-15 | 9293-0541 | 127 | 25.00 | .08 |
| 295-5M-15 | 9293-0492 | 59 | 11.61 | .56 | 640-5M-15 | 9293-90130 | 128 | 25.20 | .08 |
| 300-5M-15 | 9293-2705 | 60 | 11.81 | .03 | 645-5M-15 | 9293-40635 | 129 | 25.39 | .09 |
| 305-5M-15 | 9293-32031 | 61 | 12.01 | .04 | 655-5M-15 | 9293-2717 | 131 | 25.79 | .08 |
| 310-5M-15 | 9293-2706 | 62 | 12.20 | .04 | 665-5M-15 | 9293-2718 | 133 | 26.18 | .08 |
| 320-5M-15 | 9293-2707 | 64 | 12.60 | .04 | 670-5M-15 | 9293-0542 | 134 | 26.38 | .08 |
| 325-5M-15 | 9293-90047 | 65 | 12.80 | .02 | 680-5M-15 | 9293-2719 | 136 | 26.77 | .09 |
| 330-5M-15 | 9293-0495 | 66 | 12.99 | .04 | 685-5M-15 | 9293-2720 | 137 | 26.97 | .09 |
| 340-5M-15 | 9293-40491 | 68 | 13.39 | .05 | 695-5M-15 | 9293-2721 | 139 | 27.36 | .09 |
| 345-5M-15 | 9293-40496 | 69 | 13.58 | .05 | 710-5M-15 | 9293-0543 | 142 | 27.95 | .09 |
| 350-5M-15 | 9293-0531 | 70 | 13.78 | .04 | 720-5M-15 | 9293-53060 | 144 | 28.35 | .15 |
| 360-5M-15 | 9293-32036 | 72 | 14.17 | .04 | 740-5M-15 | 9293-0544 | 148 | 29.13 | .09 |
| 365-5M-15 | 9293-0498 | 73 | 14.37 | .05 | 745-5M-15 | 9293-2722 | 149 | 29.33 | .10 |
| 370-5M-15 | 9293-40518 | 74 | 14.57 | .05 | 755-5M-15 | 9293-90139 | 151 | 29.72 | .09 |
| 375-5M-15 | 9293-0532 | 75 | 14.76 | .05 | 765-5M-15 | 9293-2723 | 153 | 30.12 | .10 |
| 385-5M-15 | 9293-40527 | 77 | 15.16 | .06 | 770-5M-15 | 9293-40881 | 154 | 30.31 | .11 |
| 400-5M-15 | 9293-0533 | 80 | 15.75 | .05 | 775-5M-15 | 9293-90486 | 155 | 30.51 | .16 |
| 415-5M-15 | 9293-2708 | 83 | 16.34 | .05 | 790-5M-15 | 9293-2724 | 158 | 31.10 | .10 |
| 420-5M-15 | 9293-90466 | 84 | 16.54 | .05 | 800-5M-15 | 9293-0545 | 160 | 31.50 | .10 |
| 425-5M-15 | 9293-0534 | 85 | 16.73 | .06 | 825-5M-15 | 9293-40666 | 165 | 32.48 | .11 |
| 450-5M-15 | 9293-0535 | 90 | 17.72 | .06 | 830-5M-15 | 9293-2725 | 166 | 32.68 | .10 |
| 460-5M-15 | 9293-2709 | 92 | 18.11 | .06 | 835-5M-15 | 9293-2726 | 167 | 32.87 | .10 |
| 475-5M-15 | 9293-0536 | 95 | 18.70 | .06 | 850-5M-15 | 9293-0546 | 170 | 33.46 | .10 |
| 480-5M-15 | 9293-2710 | 96 | 18.90 | .06 | 860-5M-15 | 9293-40672 | 172 | 33.86 | .12 |
| 495-5M-15 | 9293-2711 | 99 | 19.49 | .06 | 870-5M-15 | 9293-2727 | 174 | 34.25 | .11 |
| 500-5M-15 | 9293-0537 | 100 | 19.69 | .06 | 890-5M-15 | 9293-0547 | 178 | 35.04 | .11 |
| 520-5M-15 | 9293-2712 | 104 | 20.47 | .06 | 925-5M-15 | 9293-2728 | 185 | 36.42 | .12 |
| 535-5M-15 | 9293-0538 | 107 | 21.06 | .06 | 935-5M-15 | 9293-90145 | 187 | 36.81 | .11 |

POWERGRIP HTD BELTS

PowerGrip® HTD® Belts

Product No. Series 9293 (continued)

5mm Pitch — 15mm Wide (continued)

| Part No. | Product No. | Number of Teeth | Pitch Length (in) | Weight (Lbs.) | Part No. | Product No. | Number of Teeth | Pitch Length (in) | Weight (Lbs.) |
|------------|-------------|-----------------|-------------------|---------------|------------|-------------|-----------------|-------------------|---------------|
| 940-5M-15 | 9293-40884 | 188 | 37.01 | .13 | 1575-5M-15 | 9293-2735 | 315 | 62.01 | .20 |
| 950-5M-15 | 9293-0548 | 190 | 37.40 | .12 | 1595-5M-15 | 9293-0555 | 319 | 62.80 | .20 |
| 975-5M-15 | 9293-2729 | 195 | 38.39 | .12 | 1635-5M-15 | 9293-2736 | 327 | 64.37 | .21 |
| 980-5M-15 | 9293-40693 | 196 | 38.58 | .14 | 1690-5M-15 | 9293-0556 | 338 | 66.54 | .22 |
| 985-5M-15 | 9293-2730 | 197 | 38.78 | .12 | 1720-5M-15 | 9293-2737 | 344 | 67.72 | .22 |
| 1000-5M-15 | 9293-0549 | 200 | 39.37 | .13 | 1790-5M-15 | 9293-0557 | 358 | 70.47 | .22 |
| 1025-5M-15 | 9293-40890 | 205 | 40.35 | .24 | 1800-5M-15 | 9293-2738 | 360 | 70.87 | .23 |
| 1035-5M-15 | 9293-90148 | 207 | 40.75 | .13 | 1870-5M-15 | 9293-32187 | 374 | 73.62 | .23 |
| 1050-5M-15 | 9293-0550 | 210 | 41.34 | .13 | 1895-5M-15 | 9293-0558 | 379 | 74.61 | .24 |
| 1100-5M-15 | 9293-0781 | 220 | 43.31 | .12 | 1945-5M-15 | 9293-2739 | 389 | 76.57 | .25 |
| 1115-5M-15 | 9293-2731 | 223 | 43.90 | .14 | 1980-5M-15 | 9293-2740 | 396 | 77.95 | .25 |
| 1125-5M-15 | 9293-0551 | 225 | 44.29 | .14 | 2000-5M-15 | 9293-0559 | 400 | 78.74 | .25 |
| 1135-5M-15 | 9293-40892 | 227 | 44.68 | .15 | 2100-5M-15 | 9293-52141 | 420 | 82.68 | .36 |
| 1175-5M-15 | 9293-40895 | 235 | 46.26 | .16 | 2110-5M-15 | 9293-2741 | 422 | 83.07 | .27 |
| 1195-5M-15 | 9293-0552 | 239 | 47.05 | .15 | 2250-5M-15 | 9293-0560 | 450 | 88.58 | .29 |
| 1200-5M-15 | 9293-90154 | 240 | 47.24 | .15 | 2350-5M-15 | 9293-52150 | 470 | 92.52 | .41 |
| 1225-5M-15 | 9293-52130 | 245 | 48.23 | .25 | 2525-5M-15 | 9293-0561 | 505 | 99.40 | .33 |
| 1250-5M-15 | 9293-2732 | 250 | 49.21 | .16 | 2760-5M-15 | 9293-2742 | 552 | 108.66 | .35 |
| 1270-5M-15 | 9293-0553 | 254 | 50.00 | .16 | 3120-5M-15 | 9293-2743 | 624 | 122.83 | .40 |
| 1295-5M-15 | 9293-2733 | 259 | 50.98 | .16 | 3170-5M-15 | 9293-2744 | 634 | 124.80 | .41 |
| 1350-5M-15 | 9293-40725 | 270 | 53.15 | .24 | 3430-5M-15 | 9293-2745 | 686 | 135.04 | .45 |
| 1375-5M-15 | 9293-2734 | 275 | 54.13 | .17 | 3800-5M-15 | 9293-2746 | 760 | 149.61 | .50 |
| 1420-5M-15 | 9293-0554 | 284 | 55.91 | .18 | | | | | |

5mm Pitch — 25mm Wide

| Part No. | Product No. | Number of Teeth | Pitch Length (in) | Weight (Lbs.) | Part No. | Product No. | Number of Teeth | Pitch Length (in) | Weight (Lbs.) |
|-----------|-------------|-----------------|-------------------|---------------|-----------|-------------|-----------------|-------------------|---------------|
| 180-5M-25 | 9293-0494 | 66 | 12.99 | .02 | 480-5M-25 | 9293-2810 | 96 | 18.90 | .10 |
| 200-5M-25 | 9293-90092 | 36 | 7.09 | 1.47 | 495-5M-25 | 9293-2811 | 99 | 19.49 | .10 |
| 225-5M-25 | 9293-2800 | 40 | 7.87 | .05 | 500-5M-25 | 9293-0568 | 100 | 19.69 | .11 |
| 240-5M-25 | 9293-40432 | 45 | 8.86 | .88 | 520-5M-25 | 9293-2812 | 104 | 20.47 | .11 |
| 240-5M-25 | 9293-2801 | 48 | 9.45 | .05 | 535-5M-25 | 9293-0569 | 107 | 21.06 | .12 |
| 255-5M-25 | 9293-40438 | 51 | 10.04 | .51 | 550-5M-25 | 9293-40592 | 110 | 21.65 | .13 |
| 260-5M-25 | 9293-2802 | 52 | 10.24 | .05 | 555-5M-25 | 9293-2813 | 111 | 21.85 | .12 |
| 265-5M-25 | 9293-90099 | 53 | 10.43 | .35 | 560-5M-25 | 9293-33056 | 112 | 22.05 | .11 |
| 270-5M-25 | 9293-2803 | 54 | 10.63 | .06 | 565-5M-25 | 9293-0570 | 113 | 22.24 | .13 |
| 280-5M-25 | 9293-40449 | 56 | 11.02 | 1.70 | 580-5M-25 | 9293-2814 | 116 | 22.83 | .13 |
| 285-5M-25 | 9293-2804 | 57 | 11.22 | .06 | 585-5M-25 | 9293-2815 | 117 | 23.03 | .14 |
| 295-5M-25 | 9293-0493 | 59 | 11.61 | 1.78 | 600-5M-25 | 9293-0571 | 120 | 23.62 | .14 |
| 300-5M-25 | 9293-2805 | 60 | 11.81 | .06 | 610-5M-25 | 9293-90128 | 122 | 24.02 | .13 |
| 305-5M-25 | 9293-33031 | 61 | 12.01 | .07 | 615-5M-25 | 9293-2816 | 123 | 24.21 | .14 |
| 310-5M-25 | 9293-2806 | 62 | 12.20 | .06 | 635-5M-25 | 9293-0572 | 127 | 25.00 | .15 |
| 320-5M-25 | 9293-2807 | 64 | 12.60 | .07 | 640-5M-25 | 9293-90131 | 128 | 25.20 | .13 |
| 325-5M-25 | 9293-90106 | 65 | 12.80 | .03 | 645-5M-25 | 9293-40639 | 129 | 25.39 | .15 |
| 340-5M-25 | 9293-40492 | 68 | 13.39 | .08 | 655-5M-25 | 9293-2817 | 131 | 25.79 | .15 |
| 345-5M-25 | 9293-40497 | 69 | 13.58 | .08 | 665-5M-25 | 9293-2818 | 133 | 26.18 | .15 |
| 350-5M-25 | 9293-0562 | 70 | 13.78 | .07 | 670-5M-25 | 9293-0573 | 134 | 26.38 | .15 |
| 360-5M-25 | 9293-33036 | 72 | 14.17 | .08 | 680-5M-25 | 9293-2819 | 136 | 26.77 | .15 |
| 365-5M-25 | 9293-0499 | 73 | 14.37 | .08 | 685-5M-25 | 9293-2820 | 137 | 26.97 | .16 |
| 370-5M-25 | 9293-40520 | 74 | 14.57 | .09 | 695-5M-25 | 9293-2821 | 139 | 27.36 | .16 |
| 375-5M-25 | 9293-0563 | 75 | 14.76 | .07 | 710-5M-25 | 9293-0574 | 142 | 27.95 | .17 |
| 385-5M-25 | 9293-40528 | 77 | 15.16 | .09 | 720-5M-25 | 9293-52008 | 144 | 28.35 | .05 |
| 400-5M-25 | 9293-0564 | 80 | 15.75 | .08 | 740-5M-25 | 9293-0575 | 148 | 29.13 | .17 |
| 415-5M-25 | 9293-2808 | 83 | 16.34 | .08 | 745-5M-25 | 9293-2822 | 149 | 29.33 | .18 |
| 425-5M-25 | 9293-0565 | 85 | 16.73 | .09 | 755-5M-25 | 9293-90140 | 151 | 29.72 | .16 |
| 450-5M-25 | 9293-0566 | 90 | 17.72 | .09 | 765-5M-25 | 9293-2823 | 153 | 30.12 | .18 |
| 460-5M-25 | 9293-2809 | 92 | 18.11 | .09 | 770-5M-25 | 9293-40882 | 154 | 30.31 | .18 |
| 475-5M-25 | 9293-0567 | 95 | 18.70 | .09 | 775-5M-25 | 9293-52023 | 155 | 30.51 | .09 |

POWERGRIP HTD BELTS

PowerGrip® HTD® Belts

Product No. Series 9293 (continued)

5mm Pitch — 25mm Wide (continued)

| Part No. | Product No. | Number of Teeth | Pitch Length (in) | Weight (Lbs.) | Part No. | Product No. | Number of Teeth | Pitch Length (in) | Weight (Lbs.) |
|------------|-------------|-----------------|-------------------|---------------|------------|-------------|-----------------|-------------------|---------------|
| 790-5M-25 | 9293-2824 | 158 | 31.10 | .19 | 1250-5M-25 | 9293-2832 | 250 | 49.21 | .27 |
| 800-5M-25 | 9293-0576 | 160 | 31.50 | .19 | 1270-5M-25 | 9293-0584 | 254 | 50.00 | .28 |
| 825-5M-25 | 9293-40667 | 165 | 32.48 | .19 | 1295-5M-25 | 9293-2833 | 259 | 50.98 | .29 |
| 830-5M-25 | 9293-2825 | 166 | 32.68 | .20 | 1350-5M-25 | 9293-40934 | 270 | 53.15 | .19 |
| 835-5M-25 | 9293-2826 | 167 | 32.87 | .20 | 1375-5M-25 | 9293-2834 | 275 | 54.13 | .30 |
| 850-5M-25 | 9293-0577 | 170 | 33.46 | .20 | 1420-5M-25 | 9293-0585 | 284 | 55.91 | .30 |
| 860-5M-25 | 9293-40673 | 172 | 33.86 | .20 | 1575-5M-25 | 9293-2835 | 315 | 62.01 | .35 |
| 870-5M-25 | 9293-2827 | 174 | 34.25 | .20 | 1595-5M-25 | 9293-0586 | 319 | 62.84 | .35 |
| 890-5M-25 | 9293-0578 | 178 | 35.04 | .20 | 1635-5M-25 | 9293-2836 | 327 | 64.37 | .37 |
| 925-5M-25 | 9293-2828 | 185 | 36.42 | .21 | 1690-5M-25 | 9293-0587 | 338 | 66.54 | .38 |
| 935-5M-25 | 9293-90146 | 187 | 36.81 | .19 | 1720-5M-25 | 9293-2837 | 344 | 67.72 | .38 |
| 940-5M-25 | 9293-40885 | 188 | 37.01 | .22 | 1790-5M-25 | 9293-0588 | 358 | 70.47 | .40 |
| 950-5M-25 | 9293-0579 | 190 | 37.40 | .21 | 1800-5M-25 | 9293-2838 | 360 | 70.87 | .40 |
| 975-5M-25 | 9293-2829 | 195 | 38.39 | .22 | 1870-5M-25 | 9293-33187 | 374 | 73.62 | .40 |
| 980-5M-25 | 9293-40694 | 196 | 38.58 | .23 | 1895-5M-25 | 9293-0589 | 379 | 74.61 | .43 |
| 985-5M-25 | 9293-2830 | 197 | 38.78 | .22 | 1945-5M-25 | 9293-2839 | 389 | 76.57 | .44 |
| 1000-5M-25 | 9293-0580 | 200 | 39.37 | .23 | 1980-5M-25 | 9293-2840 | 396 | 77.95 | .45 |
| 1025-5M-25 | 9293-40700 | 205 | 40.35 | .08 | 2000-5M-25 | 9293-0590 | 400 | 78.74 | .45 |
| 1035-5M-25 | 9293-90149 | 207 | 40.75 | .22 | 2100-5M-25 | 9293-52142 | 420 | 82.68 | .59 |
| 1050-5M-25 | 9293-0581 | 210 | 41.34 | .24 | 2110-5M-25 | 9293-2841 | 422 | 83.07 | .48 |
| 1100-5M-25 | 9293-90152 | 220 | 43.31 | .23 | 2250-5M-25 | 9293-0591 | 450 | 88.58 | .52 |
| 1115-5M-25 | 9293-2831 | 223 | 43.90 | .24 | 2350-5M-25 | 9293-33235 | 470 | 92.52 | .24 |
| 1125-5M-25 | 9293-0582 | 225 | 44.29 | .25 | 2525-5M-25 | 9293-0592 | 505 | 99.40 | .58 |
| 1135-5M-25 | 9293-40893 | 227 | 44.68 | .26 | 2760-5M-25 | 9293-2842 | 552 | 108.66 | .64 |
| 1175-5M-25 | 9293-40896 | 235 | 46.26 | .27 | 3120-5M-25 | 9293-2843 | 624 | 122.83 | .72 |
| 1195-5M-25 | 9293-0583 | 239 | 47.05 | .26 | 3170-5M-25 | 9293-2844 | 634 | 124.80 | .73 |
| 1200-5M-25 | 9293-90155 | 240 | 47.24 | .25 | 3430-5M-25 | 9293-2845 | 686 | 135.04 | .80 |
| 1225-5M-25 | 9293-52129 | 245 | 48.23 | .15 | 3800-5M-25 | 9293-2846 | 760 | 149.61 | .88 |

8mm Pitch — 20mm Wide

| Part No. | Product No. | Number of Teeth | Pitch Length (in) | Weight (Lbs.) | Part No. | Product No. | Number of Teeth | Pitch Length (in) | Weight (Lbs.) |
|------------|-------------|-----------------|-------------------|---------------|------------|-------------|-----------------|-------------------|---------------|
| 320-8M-20 | 9293-40000 | 40 | 12.60 | .99 | 1176-8M-20 | 9293-0212 | 194 | 61.10 | .49 |
| 376-8M-20 | 9293-40003 | 47 | 14.80 | 1.80 | 1216-8M-20 | 9293-53071 | 152 | 47.87 | .06 |
| 424-8M-20 | 9293-50007 | 53 | 16.69 | .43 | 1256-8M-20 | 9293-50568 | 157 | 49.45 | .09 |
| 512-8M-20 | 9293-50046 | 64 | 20.16 | 1.84 | 1264-8M-20 | 9293-53076 | 158 | 49.76 | .24 |
| 520-8M-20 | 9293-40907 | 65 | 20.47 | .47 | 1304-8M-20 | 9293-50626 | 163 | 51.34 | .16 |
| 608-8M-20 | 9293-40028 | 76 | 23.94 | .53 | 1360-8M-20 | 9293-50632 | 170 | 53.54 | .46 |
| 624-8M-20 | 9293-90915 | 78 | 24.57 | .79 | 1424-8M-20 | 9293-50656 | 178 | 56.06 | .37 |
| 656-8M-20 | 9293-50158 | 82 | 25.83 | 2.25 | 1432-8M-20 | 9293-53078 | 179 | 56.38 | .25 |
| 760-8M-20 | 9293-40919 | 95 | 29.92 | .22 | 1520-8M-20 | 9293-40773 | 190 | 59.84 | .74 |
| 776-8M-20 | 9293-50216 | 97 | 30.55 | .78 | 1552-8M-20 | 9293-0221 | 194 | 61.10 | .76 |
| 856-8M-20 | 9293-42426 | 107 | 33.70 | 3.30 | 1696-8M-20 | 9293-0226 | 212 | 66.77 | .22 |
| 912-8M-20 | 9293-53068 | 114 | 35.91 | .84 | 1728-8M-20 | 9293-52351 | 216 | 68.03 | .32 |
| 968-8M-20 | 9293-55035 | 121 | 38.11 | 2.72 | 1896-8M-20 | 9293-40929 | 237 | 74.65 | .99 |
| 976-8M-20 | 9293-40922 | 122 | 38.43 | 4.73 | 1904-8M-20 | 9293-40931 | 238 | 74.96 | .65 |
| 1000-8M-20 | 9293-90083 | 125 | 39.37 | .29 | 2080-8M-20 | 9293-53081 | 260 | 81.89 | .27 |
| 1080-8M-20 | 9293-40072 | 135 | 42.52 | 17.39 | 2240-8M-20 | 9293-50888 | 280 | 88.19 | .22 |
| 1128-8M-20 | 9293-53069 | 141 | 44.41 | .04 | 2272-8M-20 | 9293-90449 | 284 | 89.45 | .25 |

8mm Pitch — 30mm Wide

| Part No. | Product No. | Number of Teeth | Pitch Length (in) | Weight (Lbs.) | Part No. | Product No. | Number of Teeth | Pitch Length (in) | Weight (Lbs.) |
|-----------|-------------|-----------------|-------------------|---------------|-----------|-------------|-----------------|-------------------|---------------|
| 320-8M-30 | 9293-40902 | 40 | 12.60 | .14 | 608-8M-30 | 9293-40030 | 76 | 23.94 | .79 |
| 376-8M-30 | 9293-40004 | 47 | 14.80 | .42 | 624-8M-30 | 9293-40916 | 78 | 24.57 | .53 |
| 424-8M-30 | 9293-90045 | 53 | 16.69 | 1.08 | 656-8M-30 | 9293-50161 | 82 | 25.83 | .64 |
| 520-8M-30 | 9293-40908 | 65 | 20.47 | .71 | 760-8M-30 | 9293-40033 | 95 | 29.92 | 2.91 |

POWERGRIP HTD BELTS

PowerGrip® HTD® Belts

Product No. Series 9293 (continued)

8mm Pitch — 30mm Wide (continued)

| Part No. | Product No. | Number of Teeth | Pitch Length (in) | Weight (Lbs.) | Part No. | Product No. | Number of Teeth | Pitch Length (in) | Weight (Lbs.) |
|------------|-------------|-----------------|-------------------|---------------|------------|-------------|-----------------|-------------------|---------------|
| 776-8M-30 | 9293-50215 | 97 | 30.55 | 3.26 | 1360-8M-30 | 9293-50633 | 170 | 53.54 | .15 |
| 856-8M-30 | 9293-42650 | 107 | 33.70 | .68 | 1424-8M-30 | 9293-50654 | 178 | 56.06 | .22 |
| 912-8M-30 | 9293-50325 | 114 | 35.91 | 4.30 | 1432-8M-30 | 9293-53079 | 179 | 56.38 | .41 |
| 968-8M-30 | 9293-53933 | 121 | 38.11 | 2.01 | 1520-8M-30 | 9293-40086 | 190 | 59.84 | .17 |
| 976-8M-30 | 9293-40041 | 122 | 38.43 | 1.31 | 1552-8M-30 | 9293-0219 | 194 | 61.10 | .18 |
| 1000-8M-30 | 9293-90082 | 125 | 39.37 | .44 | 1696-8M-30 | 9293-0223 | 212 | 66.77 | .26 |
| 1080-8M-30 | 9293-40075 | 135 | 42.52 | .01 | 1728-8M-30 | 9293-55028 | 216 | 68.03 | .54 |
| 1128-8M-30 | 9293-55021 | 141 | 44.41 | .02 | 1896-8M-30 | 9293-40930 | 237 | 74.65 | .24 |
| 1176-8M-30 | 9293-0216 | 147 | 46.30 | .06 | 1904-8M-30 | 9293-40118 | 238 | 74.96 | .36 |
| 1216-8M-30 | 9293-53072 | 152 | 47.87 | .02 | 2080-8M-30 | 9293-50881 | 260 | 81.89 | 1.06 |
| 1256-8M-30 | 9293-50564 | 157 | 49.45 | .07 | 2240-8M-30 | 9293-50882 | 280 | 88.19 | .37 |
| 1264-8M-30 | 9293-53077 | 158 | 49.76 | .40 | 2272-8M-30 | 9293-50892 | 284 | 89.45 | 1.10 |
| 1304-8M-30 | 9293-50627 | 163 | 51.34 | .31 | | | | | |

8mm Pitch — 50mm Wide

| Part No. | Product No. | Number of Teeth | Pitch Length (in) | Weight (Lbs.) | Part No. | Product No. | Number of Teeth | Pitch Length (in) | Weight (Lbs.) |
|------------|-------------|-----------------|-------------------|---------------|------------|-------------|-----------------|-------------------|---------------|
| 320-8M-50 | 9293-40903 | 40 | 12.60 | .50 | 1216-8M-50 | 9293-53073 | 152 | 47.87 | .04 |
| 376-8M-50 | 9293-40905 | 47 | 14.80 | .63 | 1256-8M-50 | 9293-50563 | 157 | 49.45 | .04 |
| 424-8M-50 | 9293-50002 | 53 | 16.69 | 1.80 | 1264-8M-50 | 9293-50572 | 158 | 49.76 | .14 |
| 520-8M-50 | 9293-40909 | 65 | 20.47 | 1.18 | 1304-8M-50 | 9293-52343 | 163 | 51.34 | .47 |
| 608-8M-50 | 9293-40913 | 76 | 23.94 | 1.32 | 1360-8M-50 | 9293-50630 | 170 | 53.54 | .28 |
| 656-8M-50 | 9293-50164 | 82 | 25.83 | 1.06 | 1424-8M-50 | 9293-50659 | 178 | 56.06 | .64 |
| 760-8M-50 | 9293-40920 | 95 | 29.92 | 1.08 | 1432-8M-50 | 9293-53080 | 179 | 56.38 | .70 |
| 776-8M-50 | 9293-50217 | 97 | 30.55 | 1.10 | 1520-8M-50 | 9293-40092 | 190 | 59.84 | .26 |
| 856-8M-50 | 9293-42685 | 107 | 33.70 | .95 | 1552-8M-50 | 9293-0220 | 194 | 61.10 | .27 |
| 912-8M-50 | 9293-50324 | 114 | 35.91 | 3.21 | 1696-8M-50 | 9293-0225 | 212 | 66.77 | .70 |
| 968-8M-50 | 9293-55036 | 121 | 38.11 | 4.02 | 1728-8M-50 | 9293-55029 | 216 | 68.03 | .90 |
| 976-8M-50 | 9293-40044 | 122 | 38.43 | 2.36 | 1896-8M-50 | 9293-40776 | 237 | 74.65 | .55 |
| 1000-8M-50 | 9293-50382 | 125 | 39.37 | 3.46 | 1904-8M-50 | 9293-40932 | 238 | 74.96 | 1.10 |
| 1080-8M-50 | 9293-40078 | 135 | 42.52 | .02 | 2080-8M-50 | 9293-50878 | 260 | 81.89 | .37 |
| 1128-8M-50 | 9293-50484 | 141 | 44.41 | .02 | 2240-8M-50 | 9293-50883 | 280 | 88.19 | .67 |
| 1176-8M-50 | 9293-0217 | 147 | 46.30 | .02 | 2272-8M-50 | 9293-50893 | 284 | 89.45 | .68 |

8mm Pitch — 85mm Wide

| Part No. | Product No. | Number of Teeth | Pitch Length (in) | Weight (Lbs.) | Part No. | Product No. | Number of Teeth | Pitch Length (in) | Weight (Lbs.) |
|------------|-------------|-----------------|-------------------|---------------|------------|-------------|-----------------|-------------------|---------------|
| 320-8M-85 | 9293-40904 | 40 | 12.60 | .98 | 1216-8M-85 | 9293-53074 | 152 | 47.87 | .07 |
| 376-8M-85 | 9293-40906 | 47 | 14.80 | 1.06 | 1256-8M-85 | 9293-50561 | 157 | 49.45 | .03 |
| 424-8M-85 | 9293-53108 | 53 | 16.69 | .65 | 1264-8M-85 | 9293-55022 | 158 | 49.76 | .11 |
| 520-8M-85 | 9293-40910 | 65 | 20.47 | 2.00 | 1304-8M-85 | 9293-52920 | 163 | 51.34 | .11 |
| 608-8M-85 | 9293-40914 | 76 | 23.94 | 2.24 | 1360-8M-85 | 9293-50628 | 170 | 53.54 | .17 |
| 624-8M-85 | 9293-90918 | 78 | 24.57 | 1.32 | 1424-8M-85 | 9293-50651 | 178 | 56.06 | .15 |
| 656-8M-85 | 9293-53067 | 82 | 25.83 | 3.29 | 1432-8M-85 | 9293-50664 | 179 | 56.38 | .16 |
| 760-8M-85 | 9293-40921 | 95 | 29.92 | 1.86 | 1520-8M-85 | 9293-40093 | 190 | 59.84 | .44 |
| 776-8M-85 | 9293-50218 | 97 | 30.55 | 1.89 | 1552-8M-85 | 9293-0222 | 194 | 61.10 | .17 |
| 856-8M-85 | 9293-42686 | 107 | 33.70 | 1.72 | 1696-8M-85 | 9293-0224 | 212 | 66.77 | .45 |
| 912-8M-85 | 9293-54978 | 114 | 35.91 | 1.30 | 1728-8M-85 | 9293-55030 | 216 | 68.03 | .20 |
| 968-8M-85 | 9293-55037 | 121 | 38.11 | .98 | 1896-8M-85 | 9293-40117 | 237 | 74.65 | .31 |
| 976-8M-85 | 9293-40045 | 122 | 38.43 | 2.71 | 1904-8M-85 | 9293-42278 | 238 | 74.96 | .27 |
| 1000-8M-85 | 9293-50383 | 125 | 39.37 | 5.80 | 2080-8M-85 | 9293-50880 | 260 | 81.89 | 2.91 |
| 1080-8M-85 | 9293-40080 | 135 | 42.52 | .04 | 2240-8M-85 | 9293-50884 | 280 | 88.19 | 1.14 |
| 1128-8M-85 | 9293-53070 | 141 | 44.41 | .06 | 2272-8M-85 | 9293-90436 | 284 | 89.45 | 1.16 |
| 1176-8M-85 | 9293-0218 | 147 | 46.30 | .03 | | | | | |

POWERGRIP HTD BELTS

PowerGrip® HTD® Belts

Product No. Series 9293 (continued)

14mm Pitch — 40mm Wide

| Part No. | Product No. | Number of Teeth | Pitch Length (in) | Weight (Lbs.) | Part No. | Product No. | Number of Teeth | Pitch Length (in) | Weight (Lbs.) |
|------------|-------------|-----------------|-------------------|---------------|-------------|-------------|-----------------|-------------------|---------------|
| 784-14M-40 | 9293-55012 | 56 | 30.87 | .45 | 1092-14M-40 | 9293-0231 | 78 | 42.99 | 1.22 |
| 924-14M-40 | 9293-52358 | 66 | 36.38 | .76 | 4004-14M-40 | 9293-54963 | 286 | 157.64 | .32 |

14mm Pitch — 55mm Wide

| Part No. | Product No. | Number of Teeth | Pitch Length (in) | Weight (Lbs.) | Part No. | Product No. | Number of Teeth | Pitch Length (in) | Weight (Lbs.) |
|------------|-------------|-----------------|-------------------|---------------|-------------|-------------|-----------------|-------------------|---------------|
| 784-14M-55 | 9293-53082 | 56 | 30.87 | .39 | 1092-14M-55 | 9293-0229 | 78 | 42.99 | 1.28 |
| 924-14M-55 | 9293-53091 | 66 | 36.38 | 1.30 | 4004-14M-55 | 9293-51377 | 286 | 157.64 | .49 |

14mm Pitch — 85mm Wide

| Part No. | Product No. | Number of Teeth | Pitch Length (in) | Weight (Lbs.) | Part No. | Product No. | Number of Teeth | Pitch Length (in) | Weight (Lbs.) |
|------------|-------------|-----------------|-------------------|---------------|-------------|-------------|-----------------|-------------------|---------------|
| 784-14M-85 | 9293-53083 | 56 | 30.87 | .67 | 1092-14M-85 | 9293-0227 | 78 | 42.99 | 1.98 |
| 924-14M-85 | 9293-52359 | 66 | 36.38 | 1.28 | 4004-14M-85 | 9293-53096 | 286 | 157.64 | .78 |

14mm Pitch — 115mm Wide

| Part No. | Product No. | Number of Teeth | Pitch Length (in) | Weight (Lbs.) | Part No. | Product No. | Number of Teeth | Pitch Length (in) | Weight (Lbs.) |
|-------------|-------------|-----------------|-------------------|---------------|--------------|-------------|-----------------|-------------------|---------------|
| 784-14M-115 | 9293-53084 | 56 | 30.87 | 1.18 | 1092-14M-115 | 9293-0230 | 78 | 42.99 | 2.68 |
| 924-14M-115 | 9293-53092 | 66 | 36.38 | .47 | 4004-14M-115 | 9293-53097 | 286 | 157.64 | 1.45 |

14mm Pitch — 170mm Wide

| Part No. | Product No. | Number of Teeth | Pitch Length (in) | Weight (Lbs.) | Part No. | Product No. | Number of Teeth | Pitch Length (in) | Weight (Lbs.) |
|-------------|-------------|-----------------|-------------------|---------------|--------------|-------------|-----------------|-------------------|---------------|
| 784-14M-170 | 9293-53085 | 56 | 30.87 | .30 | 1092-14M-170 | 9293-0228 | 78 | 42.99 | 3.96 |
| 924-14M-170 | 9293-53093 | 66 | 36.38 | .79 | 4004-14M-170 | 9293-51375 | 286 | 157.64 | .34 |

20mm Pitch — 115mm Wide

| Part No. | Product No. | Number of Teeth | Pitch Length (in) | Weight (Lbs.) | Part No. | Product No. | Number of Teeth | Pitch Length (in) | Weight (Lbs.) |
|--------------|-------------|-----------------|-------------------|---------------|--------------|-------------|-----------------|-------------------|---------------|
| 2000-20M-115 | 9293-0700 | 100 | 78.74 | 7.00 | 5400-20M-115 | 9293-0709 | 270 | 212.60 | 19.50 |
| 2500-20M-115 | 9293-0702 | 125 | 98.43 | 9.40 | 5600-20M-115 | 9293-0710 | 280 | 220.47 | 20.00 |
| 3400-20M-115 | 9293-0703 | 170 | 133.86 | 12.30 | 5800-20M-115 | 9293-0711 | 290 | 228.35 | 21.00 |
| 3800-20M-115 | 9293-0704 | 190 | 149.61 | 13.70 | 6000-20M-115 | 9293-0775 | 300 | 236.22 | 22.50 |
| 4200-20M-115 | 9293-0705 | 210 | 165.35 | 15.00 | 6200-20M-115 | 9293-0712 | 310 | 244.09 | 23.50 |
| 4600-20M-115 | 9293-0706 | 230 | 181.10 | 16.30 | 6400-20M-115 | 9293-0713 | 320 | 251.97 | 24.00 |
| 5000-20M-115 | 9293-0707 | 250 | 196.85 | 18.50 | 6600-20M-115 | 9293-0714 | 330 | 259.84 | 25.00 |
| 5200-20M-115 | 9293-0708 | 260 | 204.72 | 19.00 | | | | | |

20mm Pitch — 170mm Wide

| Part No. | Product No. | Number of Teeth | Pitch Length (in) | Weight (Lbs.) | Part No. | Product No. | Number of Teeth | Pitch Length (in) | Weight (Lbs.) |
|--------------|-------------|-----------------|-------------------|---------------|--------------|-------------|-----------------|-------------------|---------------|
| 2000-20M-170 | 9293-0715 | 100 | 78.74 | 12.50 | 5400-20M-170 | 9293-0724 | 270 | 212.60 | 28.50 |
| 2500-20M-170 | 9293-0717 | 125 | 98.43 | 14.65 | 5600-20M-170 | 9293-0725 | 280 | 220.47 | 30.00 |
| 3400-20M-170 | 9293-0718 | 170 | 133.86 | 19.00 | 5800-20M-170 | 9293-0726 | 290 | 228.35 | 31.00 |
| 3800-20M-170 | 9293-0719 | 190 | 149.61 | 21.00 | 6000-20M-170 | 9293-0776 | 300 | 236.22 | 31.95 |
| 4200-20M-170 | 9293-0720 | 210 | 165.35 | 23.00 | 6200-20M-170 | 9293-0727 | 310 | 244.09 | 33.00 |
| 4600-20M-170 | 9293-0721 | 230 | 181.10 | 24.55 | 6400-20M-170 | 9293-0728 | 320 | 251.97 | 34.00 |
| 5000-20M-170 | 9293-0722 | 250 | 196.85 | 26.50 | 6600-20M-170 | 9293-0729 | 330 | 259.84 | 35.00 |
| 5200-20M-170 | 9293-0723 | 260 | 204.72 | 27.50 | | | | | |

POWERGRIP HTD BELTS

PowerGrip® HTD® Belts

Product No. Series 9293 (continued)

20mm Pitch — 230mm Wide

| Part No. | Product No. | Number of Teeth | Pitch Length (in) | Weight (Lbs.) |
|--------------|-------------|-----------------|-------------------|---------------|
| 2000-20M-230 | 9293-0730 | 100 | 78.74 | 17.44 |
| 2500-20M-230 | 9293-0732 | 125 | 98.43 | 21.83 |
| 3400-20M-230 | 9293-0733 | 170 | 133.86 | 25.50 |
| 3800-20M-230 | 9293-0734 | 190 | 149.61 | 29.00 |
| 4200-20M-230 | 9293-0735 | 210 | 165.35 | 30.25 |
| 4600-20M-230 | 9293-0736 | 230 | 181.10 | 34.00 |
| 5000-20M-230 | 9293-0737 | 250 | 196.85 | 35.00 |
| 5200-20M-230 | 9293-0738 | 260 | 204.72 | 36.40 |

| Part No. | Product No. | Number of Teeth | Pitch Length (in) | Weight (Lbs.) |
|--------------|-------------|-----------------|-------------------|---------------|
| 5400-20M-230 | 9293-0739 | 270 | 212.60 | 38.00 |
| 5600-20M-230 | 9293-0740 | 280 | 220.47 | 40.00 |
| 5800-20M-230 | 9293-0741 | 290 | 228.35 | 42.00 |
| 6000-20M-230 | 9293-0777 | 300 | 236.22 | 43.00 |
| 6200-20M-230 | 9293-0742 | 310 | 244.09 | 44.00 |
| 6400-20M-230 | 9293-0743 | 320 | 251.97 | 46.00 |
| 6600-20M-230 | 9293-0744 | 330 | 259.84 | 47.00 |

20mm Pitch — 290mm Wide

| Part No. | Product No. | Number of Teeth | Pitch Length (in) | Weight (Lbs.) |
|--------------|-------------|-----------------|-------------------|---------------|
| 2000-20M-290 | 9293-0745 | 100 | 78.74 | 21.99 |
| 2500-20M-290 | 9293-0747 | 125 | 98.43 | 27.52 |
| 3400-20M-290 | 9293-0748 | 170 | 133.86 | 37.48 |
| 3800-20M-290 | 9293-0749 | 190 | 149.61 | 41.91 |
| 4200-20M-290 | 9293-0750 | 210 | 165.35 | 46.34 |
| 4600-20M-290 | 9293-0751 | 230 | 181.10 | 50.76 |
| 5000-20M-290 | 9293-0752 | 250 | 196.85 | 55.19 |
| 5200-20M-290 | 9293-0753 | 260 | 204.72 | 57.40 |

| Part No. | Product No. | Number of Teeth | Pitch Length (in) | Weight (Lbs.) |
|--------------|-------------|-----------------|-------------------|---------------|
| 5400-20M-290 | 9293-0754 | 270 | 212.60 | 43.45 |
| 5600-20M-290 | 9293-0755 | 280 | 220.47 | 61.83 |
| 5800-20M-290 | 9293-0756 | 290 | 228.35 | 64.05 |
| 6000-20M-290 | 9293-0778 | 300 | 236.22 | 66.26 |
| 6200-20M-290 | 9293-0757 | 310 | 244.09 | 68.47 |
| 6400-20M-290 | 9293-0758 | 320 | 251.97 | 70.69 |
| 6600-20M-290 | 9293-0759 | 330 | 259.84 | 72.90 |

20mm Pitch — 340mm Wide

| Part No. | Product No. | Number of Teeth | Pitch Length (in) | Weight (Lbs.) |
|--------------|-------------|-----------------|-------------------|---------------|
| 2000-20M-340 | 9293-0760 | 100 | 78.74 | 25.78 |
| 2500-20M-340 | 9293-0762 | 125 | 98.43 | 32.27 |
| 3400-20M-340 | 9293-0763 | 170 | 133.86 | 43.94 |
| 3800-20M-340 | 9293-0764 | 190 | 149.61 | 36.60 |
| 4200-20M-340 | 9293-0765 | 210 | 165.35 | 54.33 |
| 4600-20M-340 | 9293-0766 | 230 | 181.10 | 59.52 |
| 5000-20M-340 | 9293-0767 | 250 | 196.85 | 64.71 |
| 5200-20M-340 | 9293-0768 | 260 | 204.72 | 67.30 |

| Part No. | Product No. | Number of Teeth | Pitch Length (in) | Weight (Lbs.) |
|--------------|-------------|-----------------|-------------------|---------------|
| 5400-20M-340 | 9293-0769 | 270 | 212.60 | 69.90 |
| 5600-20M-340 | 9293-0770 | 280 | 220.47 | 72.49 |
| 5800-20M-340 | 9293-0771 | 290 | 228.35 | 75.09 |
| 6000-20M-340 | 9293-0779 | 300 | 236.22 | 77.68 |
| 6200-20M-340 | 9293-0772 | 310 | 244.09 | 80.28 |
| 6400-20M-340 | 9293-0773 | 320 | 251.97 | 82.87 |
| 6600-20M-340 | 9293-0774 | 330 | 259.84 | 85.47 |

PowerGrip® Timing Belts

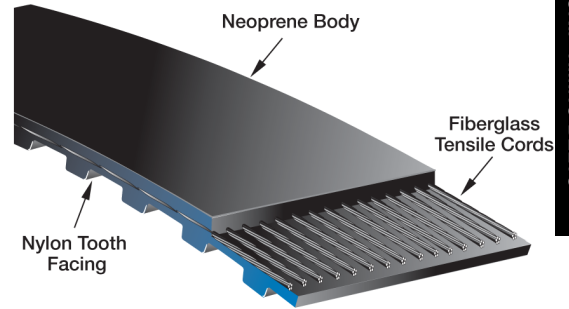
The trapezoidal tooth profile makes this belt well suited for use in positioning applications.

Markets/Applications

PowerGrip Timing belts are suitable for office machines, machine tools, postage equipment, sewing machines, vending machines, agriculture, outdoor power equipment, food processing, HVAC, oil fields, wood, paper, sand and gravel applications.

Features/Advantages

- **Fiberglass tensile cord** provides high strength, excellent flex life, and high resistance to elongation.
- **Neoprene body** provides protection against grime, grease, oil, and moisture.
- **Nylon tooth facing** provides a durable wear surface for long service life.
- **Eliminates lubrication and re-tensioning** to reduce maintenance and labor required on drives.



POWERGRIP TIMING BELTS

Recommended Pulleys

PowerGrip® Timing Pulleys

Notes

PowerGrip Timing belts are measured by:

Length- The length of a PowerGrip Timing Belt is shown in the first part of the belt designation. The first number is the pitch length in tenths of an inch. A 300L075 has a 30.0" pitch length.

Pitch- The pitch is the distance from center to center of the teeth (in inches). It is shown in the second part of the belt designation by a letter of letters. Part number 300L075 has a .375" pitch. The letters correspond to pitches as follows:

MXL = Mini Extra Light = 0.080" pitch;

XL = Extra Light = 0.200" pitch;

L = Light = 0.375" pitch;

H = Heavy = 0.500" pitch;

XH = Extra Heavy = 0.875" pitch;

XXH = Double Extra Heavy = 1.250" pitch.

Width- The width is shown in the last part of the belt designation. Part number 300L075 is .75" wide.

Product No. Series 9257

2/25" Pitch (.080"/MXL) — 1/8" Wide

| Part No. | Product No. | Number of Teeth | Pitch Length (in) | Weight (Lbs.) | Part No. | Product No. | Number of Teeth | Pitch Length (in) | Weight (Lbs.) |
|----------|-------------|-----------------|-------------------|---------------|-----------|-------------|-----------------|-------------------|---------------|
| 32MXL012 | 9257-0129 | 40 | 3.20 | .01 | 70MXL012 | 9257-0147 | 88 | 7.04 | .01 |
| 34MXL012 | 9257-0130 | 42 | 3.36 | .01 | 72MXL012 | 9257-0106 | 90 | 7.20 | .01 |
| 36MXL012 | 9257-0119 | 45 | 3.60 | .01 | 74MXL012 | 9257-0148 | 92 | 7.36 | .01 |
| 38MXL012 | 9257-0131 | 47 | 3.76 | .01 | 75MXL012 | 9257-0149 | 94 | 7.52 | .01 |
| 40MXL012 | 9257-0120 | 50 | 4.00 | .01 | 76MXL012 | 9257-0124 | 95 | 7.60 | .01 |
| 43MXL012 | 9257-0132 | 54 | 4.32 | .01 | 80MXL012 | 9257-0107 | 100 | 8.00 | .01 |
| 44MXL012 | 9257-0121 | 55 | 4.40 | .01 | 81MXL012 | 9257-0150 | 102 | 8.16 | .01 |
| 45MXL012 | 9257-0133 | 56 | 4.48 | .01 | 82MXL012 | 9257-0151 | 103 | 8.24 | .01 |
| 47MXL012 | 9257-0134 | 59 | 4.72 | .01 | 84MXL012 | 9257-0152 | 105 | 8.40 | .01 |
| 48MXL012 | 9257-0122 | 60 | 4.80 | .01 | 85MXL012 | 9257-0153 | 107 | 8.56 | .01 |
| 51MXL012 | 9257-0135 | 64 | 5.12 | .01 | 86MXL012 | 9257-0154 | 108 | 8.64 | .01 |
| 52MXL012 | 9257-0136 | 65 | 5.20 | .01 | 87MXL012 | 9257-0155 | 109 | 8.72 | .01 |
| 53MXL012 | 9257-0137 | 67 | 5.36 | .01 | 88MXL012 | 9257-0108 | 110 | 8.80 | .01 |
| 54MXL012 | 9257-0138 | 68 | 5.44 | .01 | 90MXL012 | 9257-0156 | 112 | 8.96 | .01 |
| 56MXL012 | 9257-0104 | 70 | 5.60 | .01 | 91MXL012 | 9257-0157 | 114 | 9.12 | .01 |
| 57MXL012 | 9257-0139 | 71 | 5.68 | .01 | 96MXL012 | 9257-0100 | 120 | 9.60 | .01 |
| 58MXL012 | 9257-0140 | 72 | 5.76 | .01 | 98MXL012 | 9257-0158 | 123 | 9.84 | .01 |
| 59MXL012 | 9257-0141 | 74 | 5.92 | .01 | 100MXL012 | 9257-0159 | 125 | 10.00 | .01 |
| 61MXL012 | 9257-0142 | 76 | 6.08 | .01 | 101MXL012 | 9257-0160 | 126 | 10.08 | .01 |
| 62MXL012 | 9257-0143 | 77 | 6.16 | .01 | 104MXL012 | 9257-0109 | 130 | 10.40 | .01 |
| 63MXL012 | 9257-0144 | 79 | 6.32 | .01 | 106MXL012 | 9257-0161 | 132 | 10.56 | .01 |
| 64MXL012 | 9257-0105 | 80 | 6.40 | .01 | 112MXL012 | 9257-0110 | 140 | 11.20 | .01 |
| 66MXL012 | 9257-0145 | 83 | 6.64 | .01 | 115MXL012 | 9257-0162 | 144 | 11.52 | .01 |
| 68MXL012 | 9257-0123 | 85 | 6.80 | .01 | 120MXL012 | 9257-0111 | 150 | 12.00 | .01 |
| 69MXL012 | 9257-0146 | 87 | 6.96 | .01 | 122MXL012 | 9257-0163 | 153 | 12.24 | .01 |

PowerGrip® Timing Belts

Product No. Series 9257 (continued)

2/25" Pitch (.080"/MXL) — 1/8" Wide (continued)

| Part No. | Product No. | Number of Teeth | Pitch Length (in) | Weight (Lbs.) | Part No. | Product No. | Number of Teeth | Pitch Length (in) | Weight (Lbs.) |
|-----------|-------------|-----------------|-------------------|---------------|-----------|-------------|-----------------|-------------------|---------------|
| 124MXL012 | 9257-0164 | 155 | 12.40 | .01 | 208MXL012 | 9257-0116 | 260 | 20.80 | .01 |
| 132MXL012 | 9257-0125 | 165 | 13.20 | .01 | 212MXL012 | 9257-0176 | 265 | 21.20 | .01 |
| 133MXL012 | 9257-0165 | 166 | 13.28 | .01 | 224MXL012 | 9257-0177 | 280 | 22.40 | .01 |
| 136MXL012 | 9257-0166 | 170 | 13.60 | .01 | 236MXL012 | 9257-0128 | 295 | 23.60 | .01 |
| 140MXL012 | 9257-0112 | 175 | 14.00 | .01 | 240MXL012 | 9257-0117 | 300 | 24.00 | .01 |
| 147MXL012 | 9257-0167 | 184 | 14.72 | .01 | 252MXL012 | 9257-0178 | 315 | 25.20 | .01 |
| 152MXL012 | 9257-0126 | 190 | 15.20 | .01 | 278MXL012 | 9257-0179 | 347 | 27.76 | .01 |
| 156MXL012 | 9257-0168 | 195 | 15.60 | .01 | 297MXL012 | 9257-0180 | 371 | 29.68 | .01 |
| 160MXL012 | 9257-0113 | 200 | 16.00 | .01 | 298MXL012 | 9257-0181 | 372 | 29.76 | .02 |
| 166MXL012 | 9257-0169 | 208 | 16.64 | .01 | 320MXL012 | 9257-0118 | 400 | 32.00 | .02 |
| 168MXL012 | 9257-0127 | 210 | 16.80 | .01 | 330MXL012 | 9257-0182 | 412 | 32.96 | .02 |
| 170MXL012 | 9257-0170 | 212 | 16.96 | .01 | 339MXL012 | 9257-0183 | 424 | 33.92 | .02 |
| 177MXL012 | 9257-0171 | 221 | 17.68 | .01 | 347MXL012 | 9257-0184 | 434 | 34.72 | .02 |
| 178MXL012 | 9257-0172 | 222 | 17.76 | .01 | 348MXL012 | 9257-0185 | 435 | 34.80 | .02 |
| 180MXL012 | 9257-0114 | 225 | 18.00 | .01 | 390MXL012 | 9257-0186 | 487 | 38.96 | .02 |
| 184MXL012 | 9257-0173 | 230 | 18.40 | .01 | 398MXL012 | 9257-0187 | 498 | 39.84 | .02 |
| 196MXL012 | 9257-0174 | 245 | 19.60 | .01 | 480MXL012 | 9257-0188 | 600 | 48.00 | .02 |
| 198MXL012 | 9257-0175 | 248 | 19.84 | .01 | 490MXL012 | 9257-0189 | 612 | 48.96 | .02 |
| 200MXL012 | 9257-0115 | 250 | 20.00 | .01 | 518MXL012 | 9257-0190 | 648 | 51.84 | .02 |

2/25" Pitch (.080"/MXL) — 3/16" Wide

| Part No. | Product No. | Number of Teeth | Pitch Length (in) | Weight (Lbs.) | Part No. | Product No. | Number of Teeth | Pitch Length (in) | Weight (Lbs.) |
|----------|-------------|-----------------|-------------------|---------------|-----------|-------------|-----------------|-------------------|---------------|
| 32MXL019 | 9257-0229 | 40 | 3.20 | .01 | 86MXL019 | 9257-0254 | 108 | 8.64 | .01 |
| 34MXL019 | 9257-0230 | 42 | 3.36 | .01 | 87MXL019 | 9257-0255 | 109 | 8.72 | .01 |
| 36MXL019 | 9257-0219 | 45 | 3.60 | .01 | 88MXL019 | 9257-0208 | 110 | 8.80 | .01 |
| 38MXL019 | 9257-0231 | 47 | 3.76 | .01 | 90MXL019 | 9257-0256 | 112 | 8.96 | .01 |
| 40MXL019 | 9257-0220 | 50 | 4.00 | .01 | 91MXL019 | 9257-0257 | 114 | 9.12 | .01 |
| 43MXL019 | 9257-0232 | 54 | 4.32 | .01 | 96MXL019 | 9257-0200 | 120 | 9.60 | .01 |
| 44MXL019 | 9257-0221 | 55 | 4.40 | .01 | 98MXL019 | 9257-0258 | 123 | 9.84 | .01 |
| 45MXL019 | 9257-0233 | 56 | 4.48 | .01 | 100MXL019 | 9257-0259 | 125 | 10.00 | .01 |
| 47MXL019 | 9257-0234 | 59 | 4.72 | .01 | 101MXL019 | 9257-0260 | 126 | 10.08 | .01 |
| 48MXL019 | 9257-0222 | 60 | 4.80 | .01 | 104MXL019 | 9257-0209 | 130 | 10.40 | .01 |
| 51MXL019 | 9257-0235 | 64 | 5.12 | .01 | 106MXL019 | 9257-0261 | 132 | 10.56 | .01 |
| 52MXL019 | 9257-0236 | 65 | 5.20 | .01 | 112MXL019 | 9257-0210 | 140 | 11.20 | .01 |
| 53MXL019 | 9257-0237 | 67 | 5.36 | .01 | 115MXL019 | 9257-0262 | 144 | 11.52 | .01 |
| 54MXL019 | 9257-0238 | 68 | 5.44 | .01 | 120MXL019 | 9257-0211 | 150 | 12.00 | .01 |
| 56MXL019 | 9257-0204 | 70 | 5.60 | .01 | 122MXL019 | 9257-0263 | 153 | 12.24 | .01 |
| 57MXL019 | 9257-0239 | 71 | 5.68 | .01 | 124MXL019 | 9257-0264 | 155 | 12.40 | .01 |
| 58MXL019 | 9257-0240 | 72 | 5.76 | .01 | 132MXL019 | 9257-0225 | 165 | 13.20 | .01 |
| 59MXL019 | 9257-0241 | 74 | 5.92 | .01 | 133MXL019 | 9257-0265 | 166 | 13.28 | .01 |
| 61MXL019 | 9257-0242 | 76 | 6.08 | .01 | 136MXL019 | 9257-0266 | 170 | 13.60 | .01 |
| 62MXL019 | 9257-0243 | 77 | 6.16 | .01 | 140MXL019 | 9257-0212 | 175 | 14.00 | .01 |
| 63MXL019 | 9257-0244 | 79 | 6.32 | .01 | 147MXL019 | 9257-0267 | 184 | 14.72 | .01 |
| 64MXL019 | 9257-0205 | 80 | 6.40 | .01 | 152MXL019 | 9257-0226 | 190 | 15.20 | .01 |
| 66MXL019 | 9257-0245 | 83 | 6.64 | .01 | 156MXL019 | 9257-0268 | 195 | 15.60 | .01 |
| 68MXL019 | 9257-0223 | 85 | 6.80 | .01 | 160MXL019 | 9257-0213 | 200 | 16.00 | .01 |
| 69MXL019 | 9257-0246 | 87 | 6.96 | .01 | 166MXL019 | 9257-0269 | 208 | 16.64 | .01 |
| 70MXL019 | 9257-0247 | 88 | 7.04 | .01 | 168MXL019 | 9257-0227 | 210 | 16.80 | .01 |
| 72MXL019 | 9257-0206 | 90 | 7.20 | .01 | 170MXL019 | 9257-0270 | 212 | 16.96 | .01 |
| 74MXL019 | 9257-0248 | 92 | 7.36 | .01 | 177MXL019 | 9257-0271 | 221 | 17.68 | .01 |
| 75MXL019 | 9257-0249 | 94 | 7.52 | .01 | 178MXL019 | 9257-0272 | 222 | 17.76 | .01 |
| 76MXL019 | 9257-0224 | 95 | 7.60 | .01 | 180MXL019 | 9257-0214 | 225 | 18.00 | .01 |
| 80MXL019 | 9257-0207 | 100 | 8.00 | .01 | 184MXL019 | 9257-0273 | 230 | 18.40 | .01 |
| 81MXL019 | 9257-0250 | 102 | 8.16 | .01 | 196MXL019 | 9257-0274 | 245 | 19.60 | .01 |
| 82MXL019 | 9257-0251 | 103 | 8.24 | .01 | 198MXL019 | 9257-0275 | 248 | 19.84 | .01 |
| 84MXL019 | 9257-0252 | 105 | 8.40 | .01 | 200MXL019 | 9257-0215 | 250 | 20.00 | .01 |
| 85MXL019 | 9257-0253 | 107 | 8.56 | .01 | 208MXL019 | 9257-0216 | 260 | 20.80 | .01 |

PowerGrip® Timing Belts

Product No. Series 9257 (continued)

2/25" Pitch (.080"/MXL) — 3/16" Wide (continued)

| Part No. | Product No. | Number of Teeth | Pitch Length (in) | Weight (Lbs.) | Part No. | Product No. | Number of Teeth | Pitch Length (in) | Weight (Lbs.) |
|-----------|-------------|-----------------|-------------------|---------------|-----------|-------------|-----------------|-------------------|---------------|
| 212MXL019 | 9257-0276 | 265 | 21.20 | .01 | 330MXL019 | 9257-0282 | 412 | 32.96 | .02 |
| 224MXL019 | 9257-0277 | 280 | 22.40 | .01 | 339MXL019 | 9257-0283 | 424 | 33.92 | .02 |
| 236MXL019 | 9257-0228 | 295 | 23.60 | .01 | 347MXL019 | 9257-0284 | 434 | 34.72 | .02 |
| 240MXL019 | 9257-0217 | 300 | 24.00 | .01 | 348MXL019 | 9257-0285 | 435 | 34.80 | .02 |
| 252MXL019 | 9257-0278 | 315 | 25.20 | .01 | 390MXL019 | 9257-0286 | 487 | 38.96 | .02 |
| 278MXL019 | 9257-0279 | 347 | 27.76 | .01 | 398MXL019 | 9257-0287 | 498 | 39.84 | .02 |
| 297MXL019 | 9257-0280 | 371 | 29.68 | .02 | 480MXL019 | 9257-0288 | 600 | 48.00 | .02 |
| 298MXL019 | 9257-0281 | 372 | 29.76 | .02 | 490MXL019 | 9257-0289 | 612 | 48.96 | .02 |
| 320MXL019 | 9257-0218 | 400 | 32.00 | .02 | 518MXL019 | 9257-0290 | 648 | 51.84 | .02 |

2/25" Pitch (.080"/MXL) — 1/4" Wide

| Part No. | Product No. | Number of Teeth | Pitch Length (in) | Weight (Lbs.) | Part No. | Product No. | Number of Teeth | Pitch Length (in) | Weight (Lbs.) |
|-----------|-------------|-----------------|-------------------|---------------|-----------|-------------|-----------------|-------------------|---------------|
| 32MXL025 | 9257-0329 | 40 | 3.20 | .01 | 104MXL025 | 9257-0309 | 130 | 10.40 | .01 |
| 34MXL025 | 9257-0330 | 42 | 3.36 | .01 | 106MXL025 | 9257-0361 | 132 | 10.56 | .01 |
| 36MXL025 | 9257-0319 | 45 | 3.60 | .01 | 112MXL025 | 9257-0310 | 140 | 11.20 | .01 |
| 38MXL025 | 9257-0331 | 47 | 3.76 | .01 | 115MXL025 | 9257-0362 | 144 | 11.52 | .01 |
| 40MXL025 | 9257-0320 | 50 | 4.00 | .01 | 120MXL025 | 9257-0311 | 150 | 12.00 | .01 |
| 43MXL025 | 9257-0332 | 54 | 4.32 | .01 | 122MXL025 | 9257-0363 | 153 | 12.24 | .01 |
| 44MXL025 | 9257-0321 | 55 | 4.40 | .01 | 124MXL025 | 9257-0364 | 155 | 12.40 | .01 |
| 45MXL025 | 9257-0333 | 56 | 4.48 | .01 | 132MXL025 | 9257-0325 | 165 | 13.20 | .01 |
| 47MXL025 | 9257-0334 | 59 | 4.72 | .01 | 133MXL025 | 9257-0365 | 166 | 13.28 | .01 |
| 48MXL025 | 9257-0322 | 60 | 4.80 | .01 | 136MXL025 | 9257-0366 | 170 | 13.60 | .01 |
| 51MXL025 | 9257-0335 | 64 | 5.12 | .01 | 140MXL025 | 9257-0312 | 175 | 14.00 | .01 |
| 52MXL025 | 9257-0336 | 65 | 5.20 | .01 | 147MXL025 | 9257-0367 | 184 | 14.72 | .01 |
| 53MXL025 | 9257-0337 | 67 | 5.36 | .01 | 152MXL025 | 9257-0326 | 190 | 15.20 | .01 |
| 54MXL025 | 9257-0338 | 68 | 5.44 | .01 | 156MXL025 | 9257-0368 | 195 | 15.60 | .01 |
| 56MXL025 | 9257-0304 | 70 | 5.60 | .01 | 160MXL025 | 9257-0313 | 200 | 16.00 | .01 |
| 57MXL025 | 9257-0339 | 71 | 5.68 | .01 | 166MXL025 | 9257-0369 | 208 | 16.64 | .01 |
| 58MXL025 | 9257-0340 | 72 | 5.76 | .01 | 168MXL025 | 9257-0327 | 210 | 16.80 | .01 |
| 59MXL025 | 9257-0341 | 74 | 5.92 | .01 | 170MXL025 | 9257-0370 | 212 | 16.96 | .01 |
| 61MXL025 | 9257-0342 | 76 | 6.08 | .01 | 177MXL025 | 9257-0371 | 221 | 17.68 | .01 |
| 62MXL025 | 9257-0343 | 77 | 6.16 | .01 | 178MXL025 | 9257-0372 | 222 | 17.76 | .01 |
| 63MXL025 | 9257-0344 | 79 | 6.32 | .01 | 180MXL025 | 9257-0314 | 225 | 18.00 | .01 |
| 64MXL025 | 9257-0305 | 80 | 6.40 | .01 | 184MXL025 | 9257-0373 | 230 | 18.40 | .01 |
| 66MXL025 | 9257-0345 | 83 | 6.64 | .01 | 196MXL025 | 9257-0374 | 245 | 19.60 | .01 |
| 68MXL025 | 9257-0323 | 85 | 6.80 | .01 | 198MXL025 | 9257-0375 | 248 | 19.84 | .01 |
| 69MXL025 | 9257-0346 | 87 | 6.96 | .01 | 200MXL025 | 9257-0315 | 250 | 20.00 | .01 |
| 70MXL025 | 9257-0347 | 88 | 7.04 | .01 | 208MXL025 | 9257-0316 | 260 | 20.80 | .01 |
| 72MXL025 | 9257-0306 | 90 | 7.20 | .01 | 212MXL025 | 9257-0376 | 265 | 21.20 | .01 |
| 74MXL025 | 9257-0348 | 92 | 7.36 | .01 | 224MXL025 | 9257-0377 | 280 | 22.40 | .02 |
| 75MXL025 | 9257-0349 | 94 | 7.52 | .01 | 236MXL025 | 9257-0328 | 295 | 23.60 | .01 |
| 76MXL025 | 9257-0324 | 95 | 7.60 | .01 | 240MXL025 | 9257-0317 | 300 | 24.00 | .01 |
| 80MXL025 | 9257-0307 | 100 | 8.00 | .01 | 252MXL025 | 9257-0378 | 315 | 25.20 | .01 |
| 81MXL025 | 9257-0350 | 102 | 8.16 | .01 | 278MXL025 | 9257-0379 | 347 | 27.76 | .01 |
| 82MXL025 | 9257-0351 | 103 | 8.24 | .01 | 297MXL025 | 9257-0380 | 371 | 29.68 | .02 |
| 84MXL025 | 9257-0352 | 105 | 8.40 | .01 | 298MXL025 | 9257-0381 | 372 | 29.76 | .02 |
| 85MXL025 | 9257-0353 | 107 | 8.56 | .01 | 320MXL025 | 9257-0318 | 400 | 32.00 | .02 |
| 86MXL025 | 9257-0354 | 108 | 8.64 | .01 | 330MXL025 | 9257-0382 | 412 | 32.96 | .02 |
| 87MXL025 | 9257-0355 | 109 | 8.72 | .01 | 339MXL025 | 9257-0383 | 424 | 33.92 | .02 |
| 88MXL025 | 9257-0308 | 110 | 8.80 | .01 | 347MXL025 | 9257-0384 | 434 | 34.72 | .02 |
| 90MXL025 | 9257-0356 | 112 | 8.96 | .01 | 348MXL025 | 9257-0385 | 435 | 34.80 | .02 |
| 91MXL025 | 9257-0357 | 114 | 9.12 | .01 | 390MXL025 | 9257-0386 | 487 | 38.96 | .02 |
| 96MXL025 | 9257-0300 | 120 | 9.60 | .01 | 398MXL025 | 9257-0387 | 498 | 39.84 | .02 |
| 98MXL025 | 9257-0358 | 123 | 9.84 | .01 | 480MXL025 | 9257-0388 | 600 | 48.00 | .02 |
| 100MXL025 | 9257-0359 | 125 | 10.00 | .01 | 490MXL025 | 9257-0389 | 612 | 48.96 | .02 |
| 101MXL025 | 9257-0360 | 126 | 10.08 | .01 | 518MXL025 | 9257-0390 | 648 | 51.84 | .02 |

PowerGrip® Timing Belts

Product No. Series 9257 (continued)

1/5" Pitch (.200"/XL) — 1/4" Wide

| Part No. | Product No. | Number of Teeth | Pitch Length (in) | Weight (Lbs.) | Part No. | Product No. | Number of Teeth | Pitch Length (in) | Weight (Lbs.) |
|----------|-------------|-----------------|-------------------|---------------|----------|-------------|-----------------|-------------------|---------------|
| 42XL025 | 9257-1141 | 21 | 4.20 | .01 | 174XL025 | 9257-1188 | 87 | 17.40 | .02 |
| 50XL025 | 9257-1121 | 25 | 5.00 | .01 | 176XL025 | 9257-1189 | 88 | 17.60 | .02 |
| 54XL025 | 9257-1142 | 27 | 5.40 | .01 | 178XL025 | 9257-1190 | 89 | 17.80 | .02 |
| 56XL025 | 9257-1143 | 28 | 5.60 | .01 | 180XL025 | 9257-1112 | 90 | 18.00 | .02 |
| 58XL025 | 9257-1144 | 29 | 5.80 | .01 | 182XL025 | 9257-1191 | 91 | 18.20 | .02 |
| 60XL025 | 9257-1100 | 30 | 6.00 | .01 | 184XL025 | 9257-1192 | 92 | 18.40 | .02 |
| 62XL025 | 9257-1145 | 31 | 6.20 | .01 | 186XL025 | 9257-1193 | 93 | 18.60 | .02 |
| 64XL025 | 9257-1146 | 32 | 6.40 | .01 | 188XL025 | 9257-1194 | 94 | 18.80 | .02 |
| 66XL025 | 9257-1147 | 33 | 6.60 | .01 | 190XL025 | 9257-1113 | 95 | 19.00 | .02 |
| 68XL025 | 9257-1148 | 34 | 6.80 | .01 | 192XL025 | 9257-1195 | 96 | 19.20 | .02 |
| 70XL025 | 9257-1101 | 35 | 7.00 | .01 | 194XL025 | 9257-1196 | 97 | 19.40 | .02 |
| 72XL025 | 9257-1149 | 36 | 7.20 | .01 | 200XL025 | 9257-1114 | 100 | 20.00 | .02 |
| 74XL025 | 9257-1150 | 37 | 7.40 | .01 | 202XL025 | 9257-1197 | 101 | 20.20 | .02 |
| 76XL025 | 9257-1151 | 38 | 7.60 | .01 | 204XL025 | 9257-1198 | 102 | 20.40 | .02 |
| 78XL025 | 9257-1152 | 39 | 7.80 | .01 | 206XL025 | 9257-1199 | 103 | 20.60 | .02 |
| 80XL025 | 9257-1102 | 40 | 8.00 | .01 | 210XL025 | 9257-1115 | 105 | 21.00 | .02 |
| 82XL025 | 9257-1153 | 41 | 8.20 | .01 | 212XL025 | 9257-8100 | 106 | 21.20 | .02 |
| 84XL025 | 9257-1154 | 42 | 8.40 | .01 | 214XL025 | 9257-8101 | 107 | 21.40 | .02 |
| 86XL025 | 9257-1155 | 43 | 8.60 | .01 | 218XL025 | 9257-8102 | 109 | 21.80 | .02 |
| 88XL025 | 9257-1156 | 44 | 8.80 | .01 | 220XL025 | 9257-1116 | 110 | 22.00 | .02 |
| 90XL025 | 9257-1103 | 45 | 9.00 | .01 | 222XL025 | 9257-8103 | 111 | 22.20 | .02 |
| 92XL025 | 9257-1157 | 46 | 9.20 | .01 | 226XL025 | 9257-8104 | 113 | 22.60 | .01 |
| 94XL025 | 9257-1158 | 47 | 9.40 | .01 | 228XL025 | 9257-8105 | 114 | 22.80 | .02 |
| 96XL025 | 9257-1159 | 48 | 9.60 | .01 | 230XL025 | 9257-1117 | 115 | 23.00 | .02 |
| 98XL025 | 9257-1160 | 49 | 9.80 | .01 | 232XL025 | 9257-8106 | 116 | 23.20 | .01 |
| 100XL025 | 9257-1104 | 50 | 10.00 | .01 | 234XL025 | 9257-8107 | 117 | 23.40 | .02 |
| 102XL025 | 9257-1161 | 51 | 10.20 | .01 | 236XL025 | 9257-8108 | 118 | 23.60 | .02 |
| 106XL025 | 9257-1162 | 53 | 10.60 | .01 | 240XL025 | 9257-1118 | 120 | 24.00 | .02 |
| 108XL025 | 9257-1163 | 54 | 10.80 | .01 | 244XL025 | 9257-8109 | 122 | 24.40 | .01 |
| 110XL025 | 9257-1105 | 55 | 11.00 | .01 | 246XL025 | 9257-8110 | 123 | 24.60 | .02 |
| 112XL025 | 9257-1164 | 56 | 11.20 | .01 | 250XL025 | 9257-1119 | 125 | 25.00 | .02 |
| 114XL025 | 9257-1165 | 57 | 11.40 | .01 | 254XL025 | 9257-8111 | 127 | 25.40 | .01 |
| 116XL025 | 9257-1166 | 58 | 11.60 | .01 | 258XL025 | 9257-8112 | 129 | 25.80 | .02 |
| 120XL025 | 9257-1106 | 60 | 12.00 | .01 | 260XL025 | 9257-1120 | 130 | 26.00 | .02 |
| 122XL025 | 9257-1167 | 61 | 12.20 | .01 | 262XL025 | 9257-8113 | 131 | 26.20 | .02 |
| 124XL025 | 9257-1168 | 62 | 12.40 | .01 | 264XL025 | 9257-8114 | 132 | 26.40 | .01 |
| 126XL025 | 9257-1169 | 63 | 12.60 | .01 | 266XL025 | 9257-8115 | 133 | 26.60 | .02 |
| 128XL025 | 9257-1170 | 64 | 12.80 | .01 | 268XL025 | 9257-8116 | 134 | 26.80 | .02 |
| 130XL025 | 9257-1107 | 65 | 13.00 | .01 | 274XL025 | 9257-8117 | 137 | 27.40 | .02 |
| 132XL025 | 9257-1171 | 66 | 13.20 | .01 | 280XL025 | 9257-1122 | 140 | 28.00 | .03 |
| 134XL025 | 9257-1172 | 67 | 13.40 | .01 | 286XL025 | 9257-8118 | 143 | 28.60 | .03 |
| 136XL025 | 9257-1173 | 68 | 13.60 | .01 | 290XL025 | 9257-1123 | 145 | 29.00 | .03 |
| 138XL025 | 9257-1174 | 69 | 13.80 | .01 | 296XL025 | 9257-8119 | 148 | 29.60 | .01 |
| 140XL025 | 9257-1108 | 70 | 14.00 | .01 | 300XL025 | 9257-1124 | 150 | 30.00 | .03 |
| 142XL025 | 9257-1175 | 71 | 14.20 | .01 | 306XL025 | 9257-8120 | 153 | 30.60 | .03 |
| 144XL025 | 9257-1176 | 72 | 14.40 | .01 | 310XL025 | 9257-1125 | 155 | 31.00 | .03 |
| 146XL025 | 9257-1177 | 73 | 14.60 | .01 | 316XL025 | 9257-8121 | 158 | 31.60 | .03 |
| 148XL025 | 9257-1178 | 74 | 14.80 | .01 | 320XL025 | 9257-8122 | 160 | 32.00 | .02 |
| 150XL025 | 9257-1109 | 75 | 15.00 | .01 | 322XL025 | 9257-8123 | 161 | 32.20 | .03 |
| 152XL025 | 9257-1179 | 76 | 15.20 | .01 | 330XL025 | 9257-1126 | 165 | 33.00 | .03 |
| 154XL025 | 9257-1180 | 77 | 15.40 | .01 | 338XL025 | 9257-8124 | 169 | 33.80 | .03 |
| 156XL025 | 9257-1181 | 78 | 15.60 | .01 | 340XL025 | 9257-1127 | 170 | 34.00 | .03 |
| 158XL025 | 9257-1182 | 79 | 15.80 | .01 | 344XL025 | 9257-8125 | 172 | 34.40 | .03 |
| 160XL025 | 9257-1110 | 80 | 16.00 | .02 | 348XL025 | 9257-8126 | 174 | 34.80 | .04 |
| 162XL025 | 9257-1183 | 81 | 16.20 | .01 | 350XL025 | 9257-1128 | 175 | 35.00 | .03 |
| 164XL025 | 9257-1184 | 82 | 16.40 | .01 | 362XL025 | 9257-8127 | 181 | 36.20 | .01 |
| 166XL025 | 9257-1185 | 83 | 16.60 | .01 | 370XL025 | 9257-1129 | 185 | 37.00 | .03 |
| 168XL025 | 9257-1186 | 84 | 16.80 | .01 | 380XL025 | 9257-1130 | 190 | 38.00 | .03 |
| 170XL025 | 9257-1111 | 85 | 17.00 | .02 | 384XL025 | 9257-8128 | 192 | 38.40 | .04 |
| 172XL025 | 9257-1187 | 86 | 17.20 | .02 | 390XL025 | 9257-1131 | 195 | 39.00 | .03 |

PowerGrip® Timing Belts

Product No. Series 9257 (continued)

1/5" Pitch (.200"/XL) — 1/4" Wide (continued)

| Part No. | Product No. | Number of Teeth | Pitch Length (in) | Weight (Lbs.) | Part No. | Product No. | Number of Teeth | Pitch Length (in) | Weight (Lbs.) |
|----------|-------------|-----------------|-------------------|---------------|----------|-------------|-----------------|-------------------|---------------|
| 400XL025 | 9257-1132 | 200 | 40.00 | .03 | 498XL025 | 9257-8137 | 249 | 49.80 | .05 |
| 412XL025 | 9257-8129 | 206 | 41.20 | .01 | 500XL025 | 9257-1137 | 250 | 50.00 | .04 |
| 420XL025 | 9257-1133 | 210 | 42.00 | .03 | 506XL025 | 9257-8138 | 253 | 50.60 | .04 |
| 424XL025 | 9257-8130 | 212 | 42.40 | .05 | 524XL025 | 9257-8139 | 262 | 52.40 | .04 |
| 432XL025 | 9257-8131 | 216 | 43.20 | .05 | 570XL025 | 9257-1138 | 285 | 57.00 | .04 |
| 438XL025 | 9257-8132 | 219 | 43.80 | .04 | 580XL025 | 9257-8140 | 290 | 58.00 | .05 |
| 444XL025 | 9257-8133 | 222 | 44.40 | .05 | 592XL025 | 9257-8141 | 296 | 59.20 | .05 |
| 450XL025 | 9257-1134 | 225 | 45.00 | .03 | 612XL025 | 9257-8142 | 306 | 61.20 | .05 |
| 454XL025 | 9257-8134 | 227 | 45.40 | .05 | 630XL025 | 9257-1139 | 315 | 63.00 | .05 |
| 460XL025 | 9257-1135 | 230 | 46.00 | .04 | 672XL025 | 9257-8143 | 336 | 67.20 | .04 |
| 468XL025 | 9257-8135 | 234 | 46.80 | .05 | 690XL025 | 9257-8144 | 345 | 69.00 | .04 |
| 480XL025 | 9257-1136 | 240 | 48.00 | .04 | 770XL025 | 9257-1140 | 385 | 77.00 | .06 |
| 492XL025 | 9257-8136 | 246 | 49.20 | .04 | 850XL025 | 9257-8145 | 425 | 85.00 | .06 |

1/5" Pitch (.200"/XL) — 3/8" Wide

| Part No. | Product No. | Number of Teeth | Pitch Length (in) | Weight (Lbs.) | Part No. | Product No. | Number of Teeth | Pitch Length (in) | Weight (Lbs.) |
|----------|-------------|-----------------|-------------------|---------------|----------|-------------|-----------------|-------------------|---------------|
| 42XL037 | 9257-1341 | 21 | 4.20 | .01 | 136XL037 | 9257-1373 | 68 | 13.60 | .02 |
| 50XL037 | 9257-1321 | 25 | 5.00 | .01 | 138XL037 | 9257-1374 | 69 | 13.80 | .02 |
| 54XL037 | 9257-1342 | 27 | 5.40 | .01 | 140XL037 | 9257-1308 | 70 | 14.00 | .02 |
| 56XL037 | 9257-1343 | 28 | 5.60 | .01 | 142XL037 | 9257-1375 | 71 | 14.20 | .02 |
| 58XL037 | 9257-1344 | 29 | 5.80 | .01 | 144XL037 | 9257-1376 | 72 | 14.40 | .02 |
| 60XL037 | 9257-1300 | 30 | 6.00 | .01 | 146XL037 | 9257-1377 | 73 | 14.60 | .02 |
| 62XL037 | 9257-1345 | 31 | 6.20 | .01 | 148XL037 | 9257-1378 | 74 | 14.80 | .02 |
| 64XL037 | 9257-1346 | 32 | 6.40 | .01 | 150XL037 | 9257-1309 | 75 | 15.00 | .02 |
| 66XL037 | 9257-1347 | 33 | 6.60 | .01 | 152XL037 | 9257-1379 | 76 | 15.20 | .02 |
| 68XL037 | 9257-1348 | 34 | 6.80 | .01 | 154XL037 | 9257-1380 | 77 | 15.40 | .02 |
| 70XL037 | 9257-1301 | 35 | 7.00 | .01 | 156XL037 | 9257-1381 | 78 | 15.60 | .02 |
| 72XL037 | 9257-1349 | 36 | 7.20 | .01 | 158XL037 | 9257-1382 | 79 | 15.80 | .02 |
| 74XL037 | 9257-1350 | 37 | 7.40 | .01 | 160XL037 | 9257-1310 | 80 | 16.00 | .02 |
| 76XL037 | 9257-1351 | 38 | 7.60 | .01 | 162XL037 | 9257-1383 | 81 | 16.20 | .02 |
| 78XL037 | 9257-1352 | 39 | 7.80 | .01 | 164XL037 | 9257-1384 | 82 | 16.40 | .02 |
| 80XL037 | 9257-1302 | 40 | 8.00 | .01 | 166XL037 | 9257-1385 | 83 | 16.60 | .02 |
| 82XL037 | 9257-1353 | 41 | 8.20 | .01 | 168XL037 | 9257-1386 | 84 | 16.80 | .02 |
| 84XL037 | 9257-1354 | 42 | 8.40 | .01 | 170XL037 | 9257-1311 | 85 | 17.00 | .02 |
| 86XL037 | 9257-1355 | 43 | 8.60 | .01 | 172XL037 | 9257-1387 | 86 | 17.20 | .02 |
| 88XL037 | 9257-1356 | 44 | 8.80 | .01 | 174XL037 | 9257-1388 | 87 | 17.40 | .02 |
| 90XL037 | 9257-1303 | 45 | 9.00 | .01 | 176XL037 | 9257-1389 | 88 | 17.60 | .02 |
| 92XL037 | 9257-1357 | 46 | 9.20 | .02 | 178XL037 | 9257-1390 | 89 | 17.80 | .02 |
| 94XL037 | 9257-1358 | 47 | 9.40 | .02 | 180XL037 | 9257-1312 | 90 | 18.00 | .02 |
| 96XL037 | 9257-1359 | 48 | 9.60 | .01 | 182XL037 | 9257-1391 | 91 | 18.20 | .02 |
| 98XL037 | 9257-1360 | 49 | 9.80 | .02 | 184XL037 | 9257-1392 | 92 | 18.40 | .02 |
| 100XL037 | 9257-1304 | 50 | 10.00 | .02 | 186XL037 | 9257-1393 | 93 | 18.60 | .02 |
| 102XL037 | 9257-1361 | 51 | 10.20 | .01 | 188XL037 | 9257-1394 | 94 | 18.80 | .02 |
| 106XL037 | 9257-1362 | 53 | 10.60 | .02 | 190XL037 | 9257-1313 | 95 | 19.00 | .02 |
| 108XL037 | 9257-1363 | 54 | 10.80 | .02 | 192XL037 | 9257-1395 | 96 | 19.20 | .02 |
| 110XL037 | 9257-1305 | 55 | 11.00 | .02 | 194XL037 | 9257-1396 | 97 | 19.40 | .02 |
| 112XL037 | 9257-1364 | 56 | 11.20 | .02 | 200XL037 | 9257-1314 | 100 | 20.00 | .02 |
| 114XL037 | 9257-1365 | 57 | 11.40 | .02 | 202XL037 | 9257-1397 | 101 | 20.20 | .03 |
| 116XL037 | 9257-1366 | 58 | 11.60 | .02 | 204XL037 | 9257-1398 | 102 | 20.40 | .03 |
| 120XL037 | 9257-1306 | 60 | 12.00 | .02 | 206XL037 | 9257-1399 | 103 | 20.60 | .03 |
| 122XL037 | 9257-1367 | 61 | 12.20 | .02 | 210XL037 | 9257-1315 | 105 | 21.00 | .03 |
| 124XL037 | 9257-1368 | 62 | 12.40 | .02 | 212XL037 | 9257-8300 | 106 | 21.20 | .02 |
| 126XL037 | 9257-1369 | 63 | 12.60 | .02 | 214XL037 | 9257-8301 | 107 | 21.40 | .03 |
| 128XL037 | 9257-1370 | 64 | 12.80 | .02 | 218XL037 | 9257-8302 | 109 | 21.80 | .03 |
| 130XL037 | 9257-1307 | 65 | 13.00 | .02 | 220XL037 | 9257-1316 | 110 | 22.00 | .03 |
| 132XL037 | 9257-1371 | 66 | 13.20 | .02 | 222XL037 | 9257-8303 | 111 | 22.20 | .02 |
| 134XL037 | 9257-1372 | 67 | 13.40 | .02 | 226XL037 | 9257-8304 | 113 | 22.60 | .03 |

PowerGrip® Timing Belts

Product No. Series 9257 (continued)

1/5" Pitch (.200"/XL) — 3/8" Wide (continued)

POWERGRIP TIMING BELTS

| Part No. | Product No. | Number of Teeth | Pitch Length (in) | Weight (Lbs.) | Part No. | Product No. | Number of Teeth | Pitch Length (in) | Weight (Lbs.) |
|----------|-------------|-----------------|-------------------|---------------|----------|-------------|-----------------|-------------------|---------------|
| 228XL037 | 9257-8305 | 114 | 22.80 | .03 | 350XL037 | 9257-1328 | 175 | 35.00 | .04 |
| 230XL037 | 9257-1317 | 115 | 23.00 | .03 | 362XL037 | 9257-8327 | 181 | 36.20 | .04 |
| 232XL037 | 9257-8306 | 116 | 23.20 | .03 | 370XL037 | 9257-1329 | 185 | 37.00 | .04 |
| 234XL037 | 9257-8307 | 117 | 23.40 | .03 | 380XL037 | 9257-1330 | 190 | 38.00 | .04 |
| 236XL037 | 9257-8308 | 118 | 23.60 | .03 | 384XL037 | 9257-8328 | 192 | 38.40 | .05 |
| 240XL037 | 9257-1318 | 120 | 24.00 | .03 | 390XL037 | 9257-1331 | 195 | 39.00 | .04 |
| 244XL037 | 9257-8309 | 122 | 24.40 | .03 | 400XL037 | 9257-1332 | 200 | 40.00 | .05 |
| 246XL037 | 9257-8310 | 123 | 24.60 | .03 | 412XL037 | 9257-8329 | 206 | 41.20 | .05 |
| 250XL037 | 9257-1319 | 125 | 25.00 | .03 | 420XL037 | 9257-1333 | 210 | 42.00 | .05 |
| 254XL037 | 9257-8311 | 127 | 25.40 | .03 | 424XL037 | 9257-8330 | 212 | 42.40 | .05 |
| 258XL037 | 9257-8312 | 129 | 25.80 | .03 | 432XL037 | 9257-8331 | 216 | 43.20 | .05 |
| 260XL037 | 9257-1320 | 130 | 26.00 | .03 | 438XL037 | 9257-8332 | 219 | 43.80 | .05 |
| 262XL037 | 9257-8313 | 131 | 26.20 | .20 | 444XL037 | 9257-8333 | 222 | 44.40 | .05 |
| 264XL037 | 9257-8314 | 132 | 26.40 | .20 | 450XL037 | 9257-1334 | 225 | 45.00 | .05 |
| 266XL037 | 9257-8315 | 133 | 26.60 | .20 | 454XL037 | 9257-8334 | 227 | 45.40 | .06 |
| 268XL037 | 9257-8316 | 134 | 26.80 | .03 | 460XL037 | 9257-1335 | 230 | 46.00 | .05 |
| 274XL037 | 9257-8317 | 137 | 27.40 | .03 | 468XL037 | 9257-8335 | 234 | 46.80 | .06 |
| 280XL037 | 9257-1322 | 140 | 28.00 | .03 | 480XL037 | 9257-1336 | 240 | 48.00 | .06 |
| 286XL037 | 9257-8318 | 143 | 28.60 | .03 | 492XL037 | 9257-8336 | 246 | 49.20 | .06 |
| 290XL037 | 9257-1323 | 145 | 29.00 | .03 | 498XL037 | 9257-8337 | 249 | 49.80 | .06 |
| 296XL037 | 9257-8319 | 148 | 29.60 | .03 | 500XL037 | 9257-1337 | 250 | 50.00 | .06 |
| 300XL037 | 9257-1324 | 150 | 30.00 | .04 | 506XL037 | 9257-8338 | 253 | 50.60 | .08 |
| 306XL037 | 9257-8320 | 153 | 30.60 | .03 | 524XL037 | 9257-8339 | 262 | 52.40 | .06 |
| 310XL037 | 9257-1325 | 155 | 31.00 | .04 | 570XL037 | 9257-1338 | 285 | 57.00 | .07 |
| 316XL037 | 9257-8321 | 158 | 31.60 | .03 | 580XL037 | 9257-8340 | 290 | 58.00 | .07 |
| 320XL037 | 9257-8322 | 160 | 32.00 | .04 | 592XL037 | 9257-8341 | 296 | 59.20 | .06 |
| 322XL037 | 9257-8323 | 161 | 32.20 | .04 | 612XL037 | 9257-8342 | 306 | 61.20 | .08 |
| 330XL037 | 9257-1326 | 165 | 33.00 | .04 | 630XL037 | 9257-1339 | 315 | 63.00 | .07 |
| 338XL037 | 9257-8324 | 169 | 33.80 | .04 | 672XL037 | 9257-8343 | 336 | 67.20 | .10 |
| 340XL037 | 9257-1327 | 170 | 34.00 | .04 | 690XL037 | 9257-8344 | 345 | 69.00 | .10 |
| 344XL037 | 9257-8325 | 172 | 34.40 | .05 | 770XL037 | 9257-1340 | 385 | 77.00 | .09 |
| 348XL037 | 9257-8326 | 174 | 34.80 | .04 | 850XL037 | 9257-8345 | 425 | 85.00 | .09 |

3/8" Pitch (.375"/L) — 1/2" Wide

| Part No. | Product No. | Number of Teeth | Pitch Length (in) | Weight (Lbs.) | Part No. | Product No. | Number of Teeth | Pitch Length (in) | Weight (Lbs.) |
|----------|-------------|-----------------|-------------------|---------------|----------|-------------|-----------------|-------------------|---------------|
| 124L050 | 9257-2100 | 33 | 12.38 | .02 | 315L050 | 9257-2123 | 84 | 31.50 | .07 |
| 135L050 | 9257-2120 | 36 | 13.50 | .03 | 322L050 | 9257-2110 | 86 | 32.25 | .07 |
| 150L050 | 9257-2101 | 40 | 15.00 | .03 | 345L050 | 9257-2111 | 92 | 34.50 | .08 |
| 154L050 | 9257-2127 | 41 | 15.38 | .03 | 367L050 | 9257-2112 | 98 | 36.75 | .08 |
| 158L050 | 9257-2128 | 42 | 15.75 | .04 | 375L050 | 9257-7139 | 100 | 37.50 | .08 |
| 165L050 | 9257-2121 | 44 | 16.50 | .04 | 390L050 | 9257-2113 | 104 | 39.00 | .09 |
| 173L050 | 9257-2129 | 46 | 17.25 | .04 | 420L050 | 9257-2114 | 112 | 42.00 | .10 |
| 176L050 | 9257-7133 | 47 | 17.63 | .04 | 446L050 | 9257-7140 | 119 | 44.63 | .10 |
| 187L050 | 9257-2102 | 50 | 18.75 | .04 | 450L050 | 9257-2115 | 120 | 45.00 | .11 |
| 195L050 | 9257-2122 | 52 | 19.50 | .04 | 480L050 | 9257-2116 | 128 | 48.00 | .11 |
| 199L050 | 9257-7134 | 53 | 19.88 | .04 | 510L050 | 9257-2117 | 136 | 51.00 | .12 |
| 203L050 | 9257-7135 | 54 | 20.25 | .04 | 540L050 | 9257-2118 | 144 | 54.00 | .13 |
| 210L050 | 9257-2103 | 56 | 21.00 | .04 | 566L050 | 9257-7141 | 151 | 56.63 | .14 |
| 218L050 | 9257-7136 | 58 | 21.75 | .05 | 570L050 | 9257-7142 | 152 | 57.00 | .14 |
| 225L050 | 9257-2104 | 60 | 22.50 | .05 | 581L050 | 9257-7143 | 155 | 58.13 | .14 |
| 240L050 | 9257-2105 | 64 | 24.00 | .05 | 600L050 | 9257-2119 | 160 | 60.00 | .14 |
| 248L050 | 9257-7137 | 66 | 24.75 | .05 | 630L050 | 9257-7144 | 168 | 63.00 | .15 |
| 255L050 | 9257-2106 | 68 | 25.50 | .06 | 660L050 | 9257-2124 | 176 | 66.00 | .16 |
| 263L050 | 9257-7138 | 70 | 26.25 | .06 | 720L050 | 9257-7145 | 192 | 72.00 | .18 |
| 270L050 | 9257-2107 | 72 | 27.00 | .06 | 731L050 | 9257-7146 | 195 | 73.13 | .18 |
| 285L050 | 9257-2108 | 76 | 28.50 | .06 | 817L050 | 9257-2125 | 218 | 81.75 | .20 |
| 300L050 | 9257-2109 | 80 | 30.00 | .07 | 900L050 | 9257-2126 | 240 | 90.00 | .22 |

PowerGrip® Timing Belts

Product No. Series 9257 (continued)

3/8" Pitch (.375"/L) — 1/2" Wide (continued)

| Part No. | Product No. | Number of Teeth | Pitch Length (in) | Weight (Lbs.) | Part No. | Product No. | Number of Teeth | Pitch Length (in) | Weight (Lbs.) |
|----------|-------------|-----------------|-------------------|---------------|----------|-------------|-----------------|-------------------|---------------|
| 915L050 | 9257-7147 | 244 | 91.50 | .22 | 945L050 | 9257-7148 | 252 | 94.50 | .23 |

3/8" Pitch (.375"/L) — 3/4" Wide

| Part No. | Product No. | Number of Teeth | Pitch Length (in) | Weight (Lbs.) | Part No. | Product No. | Number of Teeth | Pitch Length (in) | Weight (Lbs.) |
|----------|-------------|-----------------|-------------------|---------------|----------|-------------|-----------------|-------------------|---------------|
| 124L075 | 9257-2200 | 33 | 12.38 | .04 | 322L075 | 9257-2210 | 86 | 32.25 | .11 |
| 135L075 | 9257-2220 | 36 | 13.50 | .04 | 345L075 | 9257-2211 | 92 | 34.50 | .12 |
| 150L075 | 9257-2201 | 40 | 15.00 | .04 | 367L075 | 9257-2212 | 98 | 36.75 | .13 |
| 154L075 | 9257-2227 | 41 | 15.38 | .04 | 375L075 | 9257-7239 | 100 | 37.50 | .13 |
| 158L075 | 9257-2228 | 42 | 15.75 | .05 | 390L075 | 9257-2213 | 104 | 39.00 | .14 |
| 165L075 | 9257-2221 | 44 | 16.50 | .05 | 420L075 | 9257-2214 | 112 | 42.00 | .15 |
| 173L075 | 9257-2229 | 46 | 17.25 | .05 | 446L075 | 9257-7240 | 119 | 44.63 | .17 |
| 176L075 | 9257-7233 | 47 | 17.63 | .06 | 450L075 | 9257-2215 | 120 | 45.00 | .17 |
| 187L075 | 9257-2202 | 50 | 18.75 | .06 | 480L075 | 9257-2216 | 128 | 48.00 | .18 |
| 195L075 | 9257-2222 | 52 | 19.50 | .06 | 510L075 | 9257-2217 | 136 | 51.00 | .19 |
| 199L075 | 9257-7234 | 53 | 19.88 | .06 | 540L075 | 9257-2218 | 144 | 54.00 | .21 |
| 203L075 | 9257-7235 | 54 | 20.25 | .06 | 566L075 | 9257-7241 | 151 | 56.63 | .21 |
| 210L075 | 9257-2203 | 56 | 21.00 | .06 | 570L075 | 9257-7242 | 152 | 57.00 | .22 |
| 218L075 | 9257-7236 | 58 | 21.75 | .07 | 581L075 | 9257-7243 | 155 | 58.13 | .22 |
| 225L075 | 9257-2204 | 60 | 22.50 | .07 | 600L075 | 9257-2219 | 160 | 60.00 | .23 |
| 240L075 | 9257-2205 | 64 | 24.00 | .08 | 630L075 | 9257-7244 | 168 | 63.00 | .25 |
| 248L075 | 9257-7237 | 66 | 24.75 | .08 | 660L075 | 9257-2224 | 176 | 66.00 | .26 |
| 255L075 | 9257-2206 | 68 | 25.50 | .08 | 720L075 | 9257-7245 | 192 | 72.00 | .28 |
| 263L075 | 9257-7238 | 70 | 26.25 | .09 | 731L075 | 9257-7246 | 195 | 73.13 | .29 |
| 270L075 | 9257-2207 | 72 | 27.00 | .09 | 817L075 | 9257-2225 | 218 | 81.75 | .32 |
| 285L075 | 9257-2208 | 76 | 28.50 | .10 | 900L075 | 9257-2226 | 240 | 90.00 | .36 |
| 300L075 | 9257-2209 | 80 | 30.00 | .10 | 915L075 | 9257-7247 | 244 | 91.50 | .37 |
| 315L075 | 9257-2223 | 84 | 31.50 | .11 | 945L075 | 9257-7248 | 252 | 94.50 | .38 |

3/8" Pitch (.375"/L) — 1" Wide

| Part No. | Product No. | Number of Teeth | Pitch Length (in) | Weight (Lbs.) | Part No. | Product No. | Number of Teeth | Pitch Length (in) | Weight (Lbs.) |
|----------|-------------|-----------------|-------------------|---------------|----------|-------------|-----------------|-------------------|---------------|
| 124L100 | 9257-2300 | 33 | 12.38 | .05 | 322L100 | 9257-2310 | 86 | 32.25 | .15 |
| 135L100 | 9257-2320 | 36 | 13.50 | .05 | 345L100 | 9257-2311 | 92 | 34.50 | .16 |
| 150L100 | 9257-2301 | 40 | 15.00 | .06 | 367L100 | 9257-2312 | 98 | 36.75 | .17 |
| 154L100 | 9257-2327 | 41 | 15.38 | .06 | 375L100 | 9257-7339 | 100 | 37.50 | .17 |
| 158L100 | 9257-2328 | 42 | 15.75 | .06 | 390L100 | 9257-2313 | 104 | 39.00 | .18 |
| 165L100 | 9257-2321 | 44 | 16.50 | .06 | 420L100 | 9257-2314 | 112 | 42.00 | .20 |
| 173L100 | 9257-2329 | 46 | 17.25 | .07 | 446L100 | 9257-7340 | 119 | 44.63 | .22 |
| 176L100 | 9257-7333 | 47 | 17.63 | .07 | 450L100 | 9257-2315 | 120 | 45.00 | .22 |
| 187L100 | 9257-2302 | 50 | 18.75 | .08 | 480L100 | 9257-2316 | 128 | 48.00 | .24 |
| 195L100 | 9257-2322 | 52 | 19.50 | .08 | 510L100 | 9257-2317 | 136 | 51.00 | .25 |
| 199L100 | 9257-7334 | 53 | 19.88 | .09 | 540L100 | 9257-2318 | 144 | 54.00 | .27 |
| 203L100 | 9257-7335 | 54 | 20.25 | .09 | 566L100 | 9257-7341 | 151 | 56.63 | .29 |
| 210L100 | 9257-2303 | 56 | 21.00 | .09 | 570L100 | 9257-7342 | 152 | 57.00 | .29 |
| 218L100 | 9257-7336 | 58 | 21.75 | .09 | 581L100 | 9257-7343 | 155 | 58.13 | .29 |
| 225L100 | 9257-2304 | 60 | 22.50 | .10 | 600L100 | 9257-2319 | 160 | 60.00 | .30 |
| 240L100 | 9257-2305 | 64 | 24.00 | .10 | 630L100 | 9257-7344 | 168 | 63.00 | .32 |
| 248L100 | 9257-7337 | 66 | 24.75 | .10 | 660L100 | 9257-2324 | 176 | 66.00 | .34 |
| 255L100 | 9257-2306 | 68 | 25.50 | .12 | 720L100 | 9257-7345 | 192 | 72.00 | .37 |
| 263L100 | 9257-7338 | 70 | 26.25 | .12 | 731L100 | 9257-7346 | 195 | 73.13 | .38 |
| 270L100 | 9257-2307 | 72 | 27.00 | .12 | 817L100 | 9257-2325 | 218 | 81.75 | .42 |
| 285L100 | 9257-2308 | 76 | 28.50 | .12 | 900L100 | 9257-2326 | 240 | 90.00 | .47 |
| 300L100 | 9257-2309 | 80 | 30.00 | .13 | 915L100 | 9257-7347 | 244 | 91.50 | .48 |
| 315L100 | 9257-2323 | 84 | 31.50 | .15 | 945L100 | 9257-7348 | 252 | 94.50 | .50 |

PowerGrip® Timing Belts

Product No. Series 9257 (continued)

1/2" Pitch (.500"/H) — 3/4" Wide

POWERGRIP TIMING BELTS

| Part No. | Product No. | Number of Teeth | Pitch Length (in) | Weight (Lbs.) | Part No. | Product No. | Number of Teeth | Pitch Length (in) | Weight (Lbs.) |
|----------|-------------|-----------------|-------------------|---------------|----------|-------------|-----------------|-------------------|---------------|
| 210H075 | 9257-3125 | 42 | 21.00 | .07 | 630H075 | 9257-3113 | 126 | 63.00 | .28 |
| 220H075 | 9257-3126 | 44 | 22.00 | .07 | 645H075 | 9257-3137 | 129 | 64.50 | .27 |
| 225H075 | 9257-3145 | 45 | 22.50 | .08 | 655H075 | 9257-8156 | 131 | 65.50 | .28 |
| 230H075 | 9257-3127 | 46 | 23.00 | .09 | 660H075 | 9257-3114 | 132 | 66.00 | .28 |
| 240H075 | 9257-3100 | 48 | 24.00 | .09 | 670H075 | 9257-8157 | 134 | 67.00 | .29 |
| 270H075 | 9257-3101 | 54 | 27.00 | .10 | 700H075 | 9257-3115 | 140 | 70.00 | .30 |
| 300H075 | 9257-3102 | 60 | 30.00 | .10 | 730H075 | 9257-3138 | 146 | 73.00 | .32 |
| 310H075 | 9257-3146 | 62 | 31.00 | .12 | 750H075 | 9257-3116 | 150 | 75.00 | .33 |
| 315H075 | 9257-3147 | 63 | 31.50 | .12 | 775H075 | 9257-8158 | 155 | 77.50 | .34 |
| 320H075 | 9257-3128 | 64 | 32.00 | .12 | 780H075 | 9257-3139 | 156 | 78.00 | .35 |
| 330H075 | 9257-3103 | 66 | 33.00 | .12 | 800H075 | 9257-3117 | 160 | 80.00 | .35 |
| 340H075 | 9257-3129 | 68 | 34.00 | .14 | 810H075 | 9257-8159 | 162 | 81.00 | .36 |
| 350H075 | 9257-3130 | 70 | 35.00 | .15 | 820H075 | 9257-3140 | 164 | 82.00 | .36 |
| 360H075 | 9257-3104 | 72 | 36.00 | .15 | 840H075 | 9257-3141 | 168 | 84.00 | .38 |
| 370H075 | 9257-3131 | 74 | 37.00 | .15 | 850H075 | 9257-3118 | 170 | 85.00 | .38 |
| 390H075 | 9257-3105 | 78 | 39.00 | .16 | 900H075 | 9257-3119 | 180 | 90.00 | .41 |
| 400H075 | 9257-3132 | 80 | 40.00 | .16 | 950H075 | 9257-8160 | 190 | 95.00 | .44 |
| 410H075 | 9257-3133 | 82 | 41.00 | .16 | 960H075 | 9257-3142 | 192 | 96.00 | .44 |
| 415H075 | 9257-3148 | 83 | 41.50 | .16 | 1000H075 | 9257-3120 | 200 | 100.00 | .45 |
| 420H075 | 9257-3106 | 84 | 42.00 | .17 | 1100H075 | 9257-3121 | 220 | 110.00 | .50 |
| 445H075 | 9257-3149 | 89 | 44.50 | .18 | 1140H075 | 9257-3143 | 228 | 114.00 | .52 |
| 450H075 | 9257-3107 | 90 | 45.00 | .18 | 1180H075 | 9257-8161 | 236 | 118.00 | .55 |
| 455H075 | 9257-8150 | 91 | 45.50 | .19 | 1250H075 | 9257-3122 | 250 | 125.00 | .57 |
| 465H075 | 9257-8151 | 93 | 46.50 | .19 | 1325H075 | 9257-8162 | 265 | 132.50 | .60 |
| 480H075 | 9257-3108 | 96 | 48.00 | .20 | 1350H075 | 9257-8163 | 270 | 135.00 | .62 |
| 490H075 | 9257-3134 | 98 | 49.00 | .20 | 1365H075 | 9257-8164 | 273 | 136.50 | .62 |
| 495H075 | 9257-8152 | 99 | 49.50 | .21 | 1400H075 | 9257-3123 | 280 | 140.00 | .65 |
| 510H075 | 9257-3109 | 102 | 51.00 | .21 | 1510H075 | 9257-8165 | 302 | 151.00 | .69 |
| 525H075 | 9257-8153 | 105 | 52.50 | .22 | 1550H075 | 9257-3144 | 310 | 155.00 | .70 |
| 540H075 | 9257-3110 | 108 | 54.00 | .23 | 1645H075 | 9257-8166 | 329 | 164.50 | .76 |
| 555H075 | 9257-8154 | 111 | 55.50 | .23 | 1680H075 | 9257-8167 | 336 | 168.00 | .79 |
| 560H075 | 9257-3135 | 112 | 56.00 | .24 | 1700H075 | 9257-3124 | 340 | 170.00 | .80 |
| 570H075 | 9257-3111 | 114 | 57.00 | .24 | 2090H075 | 9257-8168 | 418 | 209.00 | .98 |
| 585H075 | 9257-3136 | 117 | 58.50 | .25 | 2100H075 | 9257-8169 | 420 | 210.00 | .98 |
| 600H075 | 9257-3112 | 120 | 60.00 | .26 | 2120H075 | 9257-8170 | 424 | 212.00 | 1.00 |
| 605H075 | 9257-8155 | 121 | 60.50 | .26 | 2330H075 | 9257-8171 | 466 | 233.00 | 1.10 |

1/2" Pitch (.500"/H) — 1" Wide

| Part No. | Product No. | Number of Teeth | Pitch Length (in) | Weight (Lbs.) | Part No. | Product No. | Number of Teeth | Pitch Length (in) | Weight (Lbs.) |
|----------|-------------|-----------------|-------------------|---------------|----------|-------------|-----------------|-------------------|---------------|
| 210H100 | 9257-3225 | 42 | 21.00 | .08 | 415H100 | 9257-3248 | 83 | 41.50 | .20 |
| 220H100 | 9257-3226 | 44 | 22.00 | .08 | 420H100 | 9257-3206 | 84 | 42.00 | .20 |
| 225H100 | 9257-3245 | 45 | 22.50 | .08 | 445H100 | 9257-3249 | 89 | 44.50 | .23 |
| 230H100 | 9257-3227 | 46 | 23.00 | .09 | 450H100 | 9257-3207 | 90 | 45.00 | .23 |
| 240H100 | 9257-3200 | 48 | 24.00 | .10 | 455H100 | 9257-8250 | 91 | 45.50 | .23 |
| 270H100 | 9257-3201 | 54 | 27.00 | .11 | 465H100 | 9257-8251 | 93 | 46.50 | .23 |
| 300H100 | 9257-3202 | 60 | 30.00 | .13 | 480H100 | 9257-3208 | 96 | 48.00 | .23 |
| 310H100 | 9257-3246 | 62 | 31.00 | .14 | 490H100 | 9257-3234 | 98 | 49.00 | .24 |
| 315H100 | 9257-3247 | 63 | 31.50 | .14 | 495H100 | 9257-8252 | 99 | 49.50 | .25 |
| 320H100 | 9257-3228 | 64 | 32.00 | .15 | 510H100 | 9257-3209 | 102 | 51.00 | .26 |
| 330H100 | 9257-3203 | 66 | 33.00 | .15 | 525H100 | 9257-8253 | 105 | 52.50 | .27 |
| 340H100 | 9257-3229 | 68 | 34.00 | .16 | 540H100 | 9257-3210 | 108 | 54.00 | .28 |
| 350H100 | 9257-3230 | 70 | 35.00 | .16 | 555H100 | 9257-8254 | 111 | 55.50 | .29 |
| 360H100 | 9257-3204 | 72 | 36.00 | .17 | 560H100 | 9257-3235 | 112 | 56.00 | .30 |
| 370H100 | 9257-3231 | 74 | 37.00 | .17 | 570H100 | 9257-3211 | 114 | 57.00 | .32 |
| 390H100 | 9257-3205 | 78 | 39.00 | .18 | 585H100 | 9257-3236 | 117 | 58.50 | .33 |
| 400H100 | 9257-3232 | 80 | 40.00 | .19 | 600H100 | 9257-3212 | 120 | 60.00 | .33 |
| 410H100 | 9257-3233 | 82 | 41.00 | .19 | 605H100 | 9257-8255 | 121 | 60.50 | .33 |

PowerGrip® Timing Belts

Product No. Series 9257 (continued)

1/2" Pitch (.500"/H) — 1" Wide (continued)

| Part No. | Product No. | Number of Teeth | Pitch Length (in) | Weight (Lbs.) | Part No. | Product No. | Number of Teeth | Pitch Length (in) | Weight (Lbs.) |
|----------|-------------|-----------------|-------------------|---------------|----------|-------------|-----------------|-------------------|---------------|
| 630H100 | 9257-3213 | 126 | 63.00 | .34 | 1000H100 | 9257-3220 | 200 | 100.00 | .58 |
| 645H100 | 9257-3237 | 129 | 64.50 | .35 | 1100H100 | 9257-3221 | 220 | 110.00 | .64 |
| 655H100 | 9257-8256 | 131 | 65.50 | .36 | 1140H100 | 9257-3243 | 228 | 114.00 | .67 |
| 660H100 | 9257-3214 | 132 | 66.00 | .36 | 1180H100 | 9257-8261 | 236 | 118.00 | .69 |
| 670H100 | 9257-8257 | 134 | 67.00 | .37 | 1250H100 | 9257-3222 | 250 | 125.00 | .75 |
| 700H100 | 9257-3215 | 140 | 70.00 | .40 | 1325H100 | 9257-8262 | 265 | 132.50 | .78 |
| 730H100 | 9257-3238 | 146 | 73.00 | .41 | 1350H100 | 9257-8263 | 270 | 135.00 | .80 |
| 750H100 | 9257-3216 | 150 | 75.00 | .42 | 1365H100 | 9257-8264 | 273 | 136.50 | .80 |
| 775H100 | 9257-8258 | 155 | 77.50 | .43 | 1400H100 | 9257-3223 | 280 | 140.00 | .84 |
| 780H100 | 9257-3239 | 156 | 78.00 | .44 | 1510H100 | 9257-8265 | 302 | 151.00 | .90 |
| 800H100 | 9257-3217 | 160 | 80.00 | .45 | 1550H100 | 9257-3244 | 310 | 155.00 | .94 |
| 810H100 | 9257-8259 | 162 | 81.00 | .46 | 1645H100 | 9257-8266 | 329 | 164.50 | 1.00 |
| 820H100 | 9257-3240 | 164 | 82.00 | .46 | 1680H100 | 9257-8267 | 336 | 168.00 | 1.01 |
| 840H100 | 9257-3241 | 168 | 84.00 | .48 | 1700H100 | 9257-3224 | 340 | 170.00 | 1.03 |
| 850H100 | 9257-3218 | 170 | 85.00 | .48 | 2090H100 | 9257-8268 | 418 | 209.00 | 1.26 |
| 900H100 | 9257-3219 | 180 | 90.00 | .51 | 2100H100 | 9257-8269 | 420 | 210.00 | 1.26 |
| 950H100 | 9257-8260 | 190 | 95.00 | .53 | 2120H100 | 9257-8270 | 424 | 212.00 | 1.30 |
| 960H100 | 9257-3242 | 192 | 96.00 | .55 | 2330H100 | 9257-8271 | 466 | 233.00 | 1.44 |

1/2" Pitch (.500"/H) — 1 1/2" Wide

| Part No. | Product No. | Number of Teeth | Pitch Length (in) | Weight (Lbs.) | Part No. | Product No. | Number of Teeth | Pitch Length (in) | Weight (Lbs.) |
|----------|-------------|-----------------|-------------------|---------------|----------|-------------|-----------------|-------------------|---------------|
| 210H150 | 9257-3325 | 42 | 21.00 | .15 | 630H150 | 9257-3313 | 126 | 63.00 | .56 |
| 220H150 | 9257-3326 | 44 | 22.00 | .15 | 645H150 | 9257-3337 | 129 | 64.50 | .57 |
| 225H150 | 9257-3345 | 45 | 22.50 | .18 | 655H150 | 9257-8356 | 131 | 65.50 | .58 |
| 230H150 | 9257-3327 | 46 | 23.00 | .15 | 660H150 | 9257-3314 | 132 | 66.00 | .59 |
| 240H150 | 9257-3300 | 48 | 24.00 | .15 | 670H150 | 9257-8357 | 134 | 67.00 | .60 |
| 270H150 | 9257-3301 | 54 | 27.00 | .20 | 700H150 | 9257-3315 | 140 | 70.00 | .61 |
| 300H150 | 9257-3302 | 60 | 30.00 | .21 | 730H150 | 9257-3338 | 146 | 73.00 | .64 |
| 310H150 | 9257-3346 | 62 | 31.00 | .22 | 750H150 | 9257-3316 | 150 | 75.00 | .70 |
| 315H150 | 9257-3347 | 63 | 31.50 | .24 | 775H150 | 9257-8358 | 155 | 77.50 | .70 |
| 320H150 | 9257-3328 | 64 | 32.00 | .25 | 780H150 | 9257-3339 | 156 | 78.00 | .70 |
| 330H150 | 9257-3303 | 66 | 33.00 | .26 | 800H150 | 9257-3317 | 160 | 80.00 | .72 |
| 340H150 | 9257-3329 | 68 | 34.00 | .27 | 810H150 | 9257-8359 | 162 | 81.00 | .74 |
| 350H150 | 9257-3330 | 70 | 35.00 | .28 | 820H150 | 9257-3340 | 164 | 82.00 | .75 |
| 360H150 | 9257-3304 | 72 | 36.00 | .30 | 840H150 | 9257-3341 | 168 | 84.00 | .75 |
| 370H150 | 9257-3331 | 74 | 37.00 | .31 | 850H150 | 9257-3318 | 170 | 85.00 | .76 |
| 390H150 | 9257-3305 | 78 | 39.00 | .32 | 900H150 | 9257-3319 | 180 | 90.00 | .82 |
| 400H150 | 9257-3332 | 80 | 40.00 | .33 | 950H150 | 9257-8360 | 190 | 95.00 | .86 |
| 410H150 | 9257-3333 | 82 | 41.00 | .34 | 960H150 | 9257-3342 | 192 | 96.00 | .87 |
| 415H150 | 9257-3348 | 83 | 41.50 | .35 | 1000H150 | 9257-3320 | 200 | 100.00 | .90 |
| 420H150 | 9257-3306 | 84 | 42.00 | .37 | 1100H150 | 9257-3321 | 220 | 110.00 | 1.02 |
| 445H150 | 9257-3349 | 89 | 44.50 | .38 | 1140H150 | 9257-3343 | 228 | 114.00 | 1.07 |
| 450H150 | 9257-3307 | 90 | 45.00 | .39 | 1180H150 | 9257-8361 | 236 | 118.00 | 1.10 |
| 455H150 | 9257-8350 | 91 | 45.50 | .40 | 1250H150 | 9257-3322 | 250 | 125.00 | 1.20 |
| 465H150 | 9257-8351 | 93 | 46.50 | .42 | 1325H150 | 9257-8362 | 265 | 132.50 | 1.23 |
| 480H150 | 9257-3308 | 96 | 48.00 | .43 | 1350H150 | 9257-8363 | 270 | 135.00 | 1.25 |
| 490H150 | 9257-3334 | 98 | 49.00 | .44 | 1365H150 | 9257-8364 | 273 | 136.50 | 1.30 |
| 495H150 | 9257-8352 | 99 | 49.50 | .45 | 1400H150 | 9257-3323 | 280 | 140.00 | 1.35 |
| 510H150 | 9257-3309 | 102 | 51.00 | .49 | 1510H150 | 9257-8365 | 302 | 151.00 | 1.45 |
| 525H150 | 9257-8353 | 105 | 52.50 | .50 | 1550H150 | 9257-3344 | 310 | 155.00 | 1.50 |
| 540H150 | 9257-3310 | 108 | 54.00 | .51 | 1645H150 | 9257-8366 | 329 | 164.50 | 1.55 |
| 555H150 | 9257-8354 | 111 | 55.50 | .52 | 1680H150 | 9257-8367 | 336 | 168.00 | 1.60 |
| 560H150 | 9257-3335 | 112 | 56.00 | .53 | 1700H150 | 9257-3324 | 340 | 170.00 | 1.65 |
| 570H150 | 9257-3311 | 114 | 57.00 | .53 | 2090H150 | 9257-8368 | 418 | 209.00 | 2.05 |
| 585H150 | 9257-3336 | 117 | 58.50 | .54 | 2100H150 | 9257-8369 | 420 | 210.00 | 2.05 |
| 600H150 | 9257-3312 | 120 | 60.00 | .54 | 2120H150 | 9257-8370 | 424 | 212.00 | 2.05 |
| 605H150 | 9257-8355 | 121 | 60.50 | .55 | 2330H150 | 9257-8371 | 466 | 233.00 | 2.30 |

PowerGrip® Timing Belts

Product No. Series 9257 (continued)

1/2" Pitch (.500"/H) — 2" Wide

POWERGRIP TIMING BELTS

| Part No. | Product No. | Number of Teeth | Pitch Length (in) | Weight (Lbs.) | Part No. | Product No. | Number of Teeth | Pitch Length (in) | Weight (Lbs.) |
|----------|-------------|-----------------|-------------------|---------------|----------|-------------|-----------------|-------------------|---------------|
| 210H200 | 9257-3425 | 42 | 21.00 | .15 | 630H200 | 9257-3413 | 126 | 63.00 | .74 |
| 220H200 | 9257-3426 | 44 | 22.00 | .16 | 645H200 | 9257-3437 | 129 | 64.50 | .75 |
| 225H200 | 9257-3445 | 45 | 22.50 | .19 | 655H200 | 9257-8456 | 131 | 65.50 | .77 |
| 230H200 | 9257-3427 | 46 | 23.00 | .22 | 660H200 | 9257-3414 | 132 | 66.00 | .78 |
| 240H200 | 9257-3400 | 48 | 24.00 | .23 | 670H200 | 9257-8457 | 134 | 67.00 | .86 |
| 270H200 | 9257-3401 | 54 | 27.00 | .25 | 700H200 | 9257-3415 | 140 | 70.00 | .84 |
| 300H200 | 9257-3402 | 60 | 30.00 | .30 | 730H200 | 9257-3438 | 146 | 73.00 | .87 |
| 310H200 | 9257-3446 | 62 | 31.00 | .30 | 750H200 | 9257-3416 | 150 | 75.00 | .90 |
| 315H200 | 9257-3447 | 63 | 31.50 | .30 | 775H200 | 9257-8458 | 155 | 77.50 | .95 |
| 320H200 | 9257-3428 | 64 | 32.00 | .30 | 780H200 | 9257-3439 | 156 | 78.00 | .95 |
| 330H200 | 9257-3403 | 66 | 33.00 | .32 | 800H200 | 9257-3417 | 160 | 80.00 | .97 |
| 340H200 | 9257-3429 | 68 | 34.00 | .35 | 810H200 | 9257-8459 | 162 | 81.00 | .99 |
| 350H200 | 9257-3430 | 70 | 35.00 | .35 | 820H200 | 9257-3440 | 164 | 82.00 | 1.00 |
| 360H200 | 9257-3404 | 72 | 36.00 | .37 | 840H200 | 9257-3441 | 168 | 84.00 | 1.04 |
| 370H200 | 9257-3431 | 74 | 37.00 | .38 | 850H200 | 9257-3418 | 170 | 85.00 | 1.05 |
| 390H200 | 9257-3405 | 78 | 39.00 | .40 | 900H200 | 9257-3419 | 180 | 90.00 | 1.12 |
| 400H200 | 9257-3432 | 80 | 40.00 | .40 | 950H200 | 9257-8460 | 190 | 95.00 | 1.20 |
| 410H200 | 9257-3433 | 82 | 41.00 | .42 | 960H200 | 9257-3442 | 192 | 96.00 | 1.22 |
| 415H200 | 9257-3448 | 83 | 41.50 | .43 | 1000H200 | 9257-3420 | 200 | 100.00 | 1.25 |
| 420H200 | 9257-3406 | 84 | 42.00 | .45 | 1100H200 | 9257-3421 | 220 | 110.00 | 1.40 |
| 445H200 | 9257-3449 | 89 | 44.50 | .50 | 1140H200 | 9257-3443 | 228 | 114.00 | 1.47 |
| 450H200 | 9257-3407 | 90 | 45.00 | .50 | 1180H200 | 9257-8461 | 236 | 118.00 | 1.55 |
| 455H200 | 9257-8450 | 91 | 45.50 | .50 | 1250H200 | 9257-3422 | 250 | 125.00 | 1.64 |
| 465H200 | 9257-8451 | 93 | 46.50 | .50 | 1325H200 | 9257-8462 | 265 | 132.50 | 1.75 |
| 480H200 | 9257-3408 | 96 | 48.00 | .52 | 1350H200 | 9257-8463 | 270 | 135.00 | 1.77 |
| 490H200 | 9257-3434 | 98 | 49.00 | .53 | 1365H200 | 9257-8464 | 273 | 136.50 | 1.80 |
| 495H200 | 9257-8452 | 99 | 49.50 | .54 | 1400H200 | 9257-3423 | 280 | 140.00 | 1.85 |
| 510H200 | 9257-3409 | 102 | 51.00 | .57 | 1510H200 | 9257-8465 | 302 | 151.00 | 2.00 |
| 525H200 | 9257-8453 | 105 | 52.50 | .58 | 1550H200 | 9257-3444 | 310 | 155.00 | 2.10 |
| 540H200 | 9257-3410 | 108 | 54.00 | .60 | 1645H200 | 9257-8466 | 329 | 164.50 | 2.20 |
| 555H200 | 9257-8454 | 111 | 55.50 | .62 | 1680H200 | 9257-8467 | 336 | 168.00 | 2.25 |
| 560H200 | 9257-3435 | 112 | 56.00 | .63 | 1700H200 | 9257-3424 | 340 | 170.00 | 2.30 |
| 570H200 | 9257-3411 | 114 | 57.00 | .68 | 2090H200 | 9257-8468 | 418 | 209.00 | 2.80 |
| 585H200 | 9257-3436 | 117 | 58.50 | .69 | 2100H200 | 9257-8469 | 420 | 210.00 | 2.85 |
| 600H200 | 9257-3412 | 120 | 60.00 | .70 | 2120H200 | 9257-8470 | 424 | 212.00 | 2.90 |
| 605H200 | 9257-8455 | 121 | 60.50 | .70 | 2330H200 | 9257-8471 | 466 | 233.00 | 3.20 |

1/2" Pitch (.500"/H) — 3" Wide

| Part No. | Product No. | Number of Teeth | Pitch Length (in) | Weight (Lbs.) | Part No. | Product No. | Number of Teeth | Pitch Length (in) | Weight (Lbs.) |
|----------|-------------|-----------------|-------------------|---------------|----------|-------------|-----------------|-------------------|---------------|
| 210H300 | 9257-3525 | 42 | 21.00 | .40 | 415H300 | 9257-3548 | 83 | 41.50 | .76 |
| 220H300 | 9257-3526 | 44 | 22.00 | .40 | 420H300 | 9257-3506 | 84 | 42.00 | .75 |
| 225H300 | 9257-3545 | 45 | 22.50 | .41 | 445H300 | 9257-3549 | 89 | 44.50 | .78 |
| 230H300 | 9257-3527 | 46 | 23.00 | .42 | 450H300 | 9257-3507 | 90 | 45.00 | .79 |
| 240H300 | 9257-3500 | 48 | 24.00 | .45 | 455H300 | 9257-8550 | 91 | 45.50 | .79 |
| 270H300 | 9257-3501 | 54 | 27.00 | .50 | 465H300 | 9257-8551 | 93 | 46.50 | .83 |
| 300H300 | 9257-3502 | 60 | 30.00 | .57 | 480H300 | 9257-3508 | 96 | 48.00 | .85 |
| 310H300 | 9257-3546 | 62 | 31.00 | .58 | 490H300 | 9257-3534 | 98 | 49.00 | .86 |
| 315H300 | 9257-3547 | 63 | 31.50 | .58 | 495H300 | 9257-8552 | 99 | 49.50 | .88 |
| 320H300 | 9257-3528 | 64 | 32.00 | .60 | 510H300 | 9257-3509 | 102 | 51.00 | .89 |
| 330H300 | 9257-3503 | 66 | 33.00 | .60 | 525H300 | 9257-8553 | 105 | 52.50 | .92 |
| 340H300 | 9257-3529 | 68 | 34.00 | .60 | 540H300 | 9257-3510 | 108 | 54.00 | .97 |
| 350H300 | 9257-3530 | 70 | 35.00 | .60 | 555H300 | 9257-8554 | 111 | 55.50 | .95 |
| 360H300 | 9257-3504 | 72 | 36.00 | .65 | 560H300 | 9257-3535 | 112 | 56.00 | .97 |
| 370H300 | 9257-3531 | 74 | 37.00 | .68 | 570H300 | 9257-3511 | 114 | 57.00 | .98 |
| 390H300 | 9257-3505 | 78 | 39.00 | .70 | 585H300 | 9257-3536 | 117 | 58.50 | 1.00 |
| 400H300 | 9257-3532 | 80 | 40.00 | .75 | 600H300 | 9257-3512 | 120 | 60.00 | 1.03 |
| 410H300 | 9257-3533 | 82 | 41.00 | .75 | 605H300 | 9257-8555 | 121 | 60.50 | 1.03 |

PowerGrip® Timing Belts

Product No. Series 9257 (continued)

1/2" Pitch (.500"/H) — 3" Wide (continued)

| Part No. | Product No. | Number of Teeth | Pitch Length (in) | Weight (Lbs.) | Part No. | Product No. | Number of Teeth | Pitch Length (in) | Weight (Lbs.) |
|----------|-------------|-----------------|-------------------|---------------|----------|-------------|-----------------|-------------------|---------------|
| 630H300 | 9257-3513 | 126 | 63.00 | 1.04 | 1000H300 | 9257-3520 | 200 | 100.00 | 1.60 |
| 645H300 | 9257-3537 | 129 | 64.50 | 1.10 | 1100H300 | 9257-3521 | 220 | 110.00 | 1.77 |
| 655H300 | 9257-8556 | 131 | 65.50 | 1.11 | 1140H300 | 9257-3543 | 228 | 114.00 | 1.80 |
| 660H300 | 9257-3514 | 132 | 66.00 | 1.12 | 1180H300 | 9257-8561 | 236 | 118.00 | 1.85 |
| 670H300 | 9257-8557 | 134 | 67.00 | 1.13 | 1250H300 | 9257-3522 | 250 | 125.00 | 1.95 |
| 700H300 | 9257-3515 | 140 | 70.00 | 1.17 | 1325H300 | 9257-8562 | 265 | 132.50 | 2.05 |
| 730H300 | 9257-3538 | 146 | 73.00 | 1.20 | 1350H300 | 9257-8563 | 270 | 135.00 | 2.13 |
| 750H300 | 9257-3516 | 150 | 75.00 | 1.23 | 1365H300 | 9257-8564 | 273 | 136.50 | 3.19 |
| 775H300 | 9257-8558 | 155 | 77.50 | 1.30 | 1400H300 | 9257-3523 | 280 | 140.00 | 2.20 |
| 780H300 | 9257-3539 | 156 | 78.00 | 1.31 | 1510H300 | 9257-8565 | 302 | 151.00 | 2.40 |
| 800H300 | 9257-3517 | 160 | 80.00 | 1.32 | 1550H300 | 9257-3544 | 310 | 155.00 | 2.44 |
| 810H300 | 9257-8559 | 162 | 81.00 | 1.33 | 1645H300 | 9257-8566 | 329 | 164.50 | 2.60 |
| 820H300 | 9257-3540 | 164 | 82.00 | 1.34 | 1680H300 | 9257-8567 | 336 | 168.00 | 2.62 |
| 840H300 | 9257-3541 | 168 | 84.00 | 1.35 | 1700H300 | 9257-3524 | 340 | 170.00 | 2.65 |
| 850H300 | 9257-3518 | 170 | 85.00 | 1.35 | 2090H300 | 9257-8568 | 418 | 209.00 | 3.25 |
| 900H300 | 9257-3519 | 180 | 90.00 | 1.44 | 2100H300 | 9257-8569 | 420 | 210.00 | 3.30 |
| 950H300 | 9257-8560 | 190 | 95.00 | 1.50 | 2120H300 | 9257-8570 | 424 | 212.00 | 3.33 |
| 960H300 | 9257-3542 | 192 | 96.00 | 1.50 | 2330H300 | 9257-8571 | 466 | 233.00 | 3.70 |

7/8" Pitch (.875"/XH) — 2" Wide

| Part No. | Product No. | Number of Teeth | Pitch Length (in) | Weight (Lbs.) | Part No. | Product No. | Number of Teeth | Pitch Length (in) | Weight (Lbs.) |
|----------|-------------|-----------------|-------------------|---------------|-----------|-------------|-----------------|-------------------|---------------|
| 507XH200 | 9257-4100 | 58 | 50.75 | 2.40 | 980XH200 | 9257-4106 | 112 | 98.00 | 4.10 |
| 560XH200 | 9257-4101 | 64 | 56.00 | 2.60 | 1120XH200 | 9257-4107 | 128 | 112.00 | 4.60 |
| 630XH200 | 9257-4102 | 72 | 63.00 | 2.85 | 1260XH200 | 9257-4108 | 144 | 126.00 | 5.10 |
| 700XH200 | 9257-4103 | 80 | 70.00 | 3.25 | 1400XH200 | 9257-4109 | 160 | 140.00 | 5.60 |
| 770XH200 | 9257-4104 | 88 | 77.00 | 3.50 | 1540XH200 | 9257-4110 | 176 | 154.00 | 3.95 |
| 840XH200 | 9257-4105 | 96 | 84.00 | 3.70 | 1750XH200 | 9257-4111 | 200 | 175.00 | 6.90 |

7/8" Pitch (.875"/XH) — 3" Wide

| Part No. | Product No. | Number of Teeth | Pitch Length (in) | Weight (Lbs.) | Part No. | Product No. | Number of Teeth | Pitch Length (in) | Weight (Lbs.) |
|----------|-------------|-----------------|-------------------|---------------|-----------|-------------|-----------------|-------------------|---------------|
| 507XH300 | 9257-4200 | 58 | 50.75 | 3.60 | 980XH300 | 9257-4206 | 112 | 98.00 | 6.00 |
| 560XH300 | 9257-4201 | 64 | 56.00 | 3.80 | 1120XH300 | 9257-4207 | 128 | 112.00 | 6.70 |
| 630XH300 | 9257-4202 | 72 | 63.00 | 4.20 | 1260XH300 | 9257-4208 | 144 | 126.00 | 7.30 |
| 700XH300 | 9257-4203 | 80 | 70.00 | 4.60 | 1400XH300 | 9257-4209 | 160 | 140.00 | 7.90 |
| 770XH300 | 9257-4204 | 88 | 77.00 | 4.90 | 1540XH300 | 9257-4210 | 176 | 154.00 | 7.10 |
| 840XH300 | 9257-4205 | 96 | 84.00 | 5.20 | 1750XH300 | 9257-4211 | 200 | 175.00 | 9.60 |

7/8" Pitch (.875"/XH) — 4" Wide

| Part No. | Product No. | Number of Teeth | Pitch Length (in) | Weight (Lbs.) | Part No. | Product No. | Number of Teeth | Pitch Length (in) | Weight (Lbs.) |
|----------|-------------|-----------------|-------------------|---------------|-----------|-------------|-----------------|-------------------|---------------|
| 507XH400 | 9257-4300 | 58 | 50.75 | 4.60 | 980XH400 | 9257-4306 | 112 | 98.00 | 7.30 |
| 560XH400 | 9257-4301 | 64 | 56.00 | 4.90 | 1120XH400 | 9257-4307 | 128 | 112.00 | 8.15 |
| 630XH400 | 9257-4302 | 72 | 63.00 | 5.25 | 1260XH400 | 9257-4308 | 144 | 126.00 | 9.00 |
| 700XH400 | 9257-4303 | 80 | 70.00 | 5.70 | 1400XH400 | 9257-4309 | 160 | 140.00 | 9.80 |
| 770XH400 | 9257-4304 | 88 | 77.00 | 6.25 | 1540XH400 | 9257-4310 | 176 | 154.00 | 10.70 |
| 840XH400 | 9257-4305 | 96 | 84.00 | 6.60 | 1750XH400 | 9257-4311 | 200 | 175.00 | 11.80 |

1 1/4" Pitch (1.250"/XXH) — 2" Wide

| Part No. | Product No. | Number of Teeth | Pitch Length (in) | Weight (Lbs.) | Part No. | Product No. | Number of Teeth | Pitch Length (in) | Weight (Lbs.) |
|-----------|-------------|-----------------|-------------------|---------------|------------|-------------|-----------------|-------------------|---------------|
| 700XXH200 | 9257-5100 | 56 | 70.00 | 4.00 | 900XXH200 | 9257-5102 | 72 | 90.00 | 4.90 |
| 800XXH200 | 9257-5101 | 64 | 80.00 | 4.45 | 1000XXH200 | 9257-5103 | 80 | 100.00 | 5.55 |

PowerGrip® Timing Belts

Product No. Series 9257 (continued)

1 1/4" Pitch (1.250"/XXH) — 2" Wide (continued)

| Part No. | Product No. | Number of Teeth | Pitch Length (in) | Weight (Lbs.) | Part No. | Product No. | Number of Teeth | Pitch Length (in) | Weight (Lbs.) |
|------------|-------------|-----------------|-------------------|---------------|------------|-------------|-----------------|-------------------|---------------|
| 1200XXH200 | 9257-5104 | 96 | 120.00 | 6.35 | 1600XXH200 | 9257-5106 | 128 | 160.00 | 8.05 |
| 1400XXH200 | 9257-5105 | 112 | 140.00 | 7.25 | 1800XXH200 | 9257-5107 | 144 | 180.00 | 8.95 |

1 1/4" Pitch (1.250"/XXH) — 3" Wide

| Part No. | Product No. | Number of Teeth | Pitch Length (in) | Weight (Lbs.) | Part No. | Product No. | Number of Teeth | Pitch Length (in) | Weight (Lbs.) |
|------------|-------------|-----------------|-------------------|---------------|------------|-------------|-----------------|-------------------|---------------|
| 700XXH300 | 9257-5200 | 56 | 70.00 | 5.70 | 1200XXH300 | 9257-5204 | 96 | 120.00 | 8.80 |
| 800XXH300 | 9257-5201 | 64 | 80.00 | 6.40 | 1400XXH300 | 9257-5205 | 112 | 140.00 | 10.35 |
| 900XXH300 | 9257-5202 | 72 | 90.00 | 6.85 | 1600XXH300 | 9257-5206 | 128 | 160.00 | 11.30 |
| 1000XXH300 | 9257-5203 | 80 | 100.00 | 7.55 | 1800XXH300 | 9257-5207 | 144 | 180.00 | 12.60 |

1 1/4" Pitch (1.250"/XXH) — 4" Wide

| Part No. | Product No. | Number of Teeth | Pitch Length (in) | Weight (Lbs.) | Part No. | Product No. | Number of Teeth | Pitch Length (in) | Weight (Lbs.) |
|------------|-------------|-----------------|-------------------|---------------|------------|-------------|-----------------|-------------------|---------------|
| 700XXH400 | 9257-5300 | 56 | 70.00 | 7.02 | 1200XXH400 | 9257-5304 | 96 | 120.00 | 11.60 |
| 800XXH400 | 9257-5301 | 64 | 80.00 | 7.95 | 1400XXH400 | 9257-5305 | 112 | 140.00 | 13.60 |
| 900XXH400 | 9257-5302 | 72 | 90.00 | 9.00 | 1600XXH400 | 9257-5306 | 128 | 160.00 | 15.50 |
| 1000XXH400 | 9257-5303 | 80 | 100.00 | 10.05 | 1800XXH400 | 9257-5307 | 144 | 180.00 | 17.30 |

1 1/4" Pitch (1.250"/XXH) — 5" Wide

| Part No. | Product No. | Number of Teeth | Pitch Length (in) | Weight (Lbs.) | Part No. | Product No. | Number of Teeth | Pitch Length (in) | Weight (Lbs.) |
|------------|-------------|-----------------|-------------------|---------------|------------|-------------|-----------------|-------------------|---------------|
| 700XXH500 | 9257-5400 | 56 | 70.00 | 8.75 | 1200XXH500 | 9257-5404 | 96 | 120.00 | 14.00 |
| 800XXH500 | 9257-5401 | 64 | 80.00 | 9.60 | 1400XXH500 | 9257-5405 | 112 | 140.00 | 16.15 |
| 900XXH500 | 9257-5402 | 72 | 90.00 | 10.80 | 1600XXH500 | 9257-5406 | 128 | 160.00 | 18.05 |
| 1000XXH500 | 9257-5403 | 80 | 100.00 | 12.00 | 1800XXH500 | 9257-5407 | 144 | 180.00 | 20.15 |

Cotton Cleaner Belts

Cotton cleaner belts have a trapezoidal tooth profile and now KEVLAR® tensile cords.

Markets/Applications

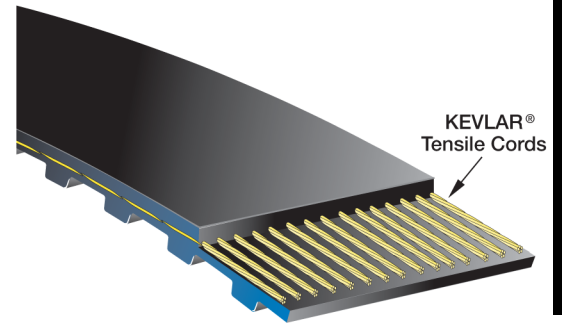
Cotton Cleaner belts are specifically designed for use on Cotton Gin and inclined cleaner machines.

Features/Advantages

- KEVLAR tensile cords for increased shock resistance.
- Long service life in harsh environments.

Recommended Pulleys

Contact the Gates Made-To-Order Metals Team.



POWERGRIP TIMING BELTS

Product No. Series 9259

1" Pitch

| Part No. | Product No. | Number of Teeth | Pitch Length (in) | Weight (Lbs.) |
|-----------|-------------|-----------------|-------------------|---------------|
| 61CCB142K | 9259-3831 | 60 | 61.07 | 1.34 |
| 63CCB165K | 9259-3832 | 63 | 63.00 | 1.41 |
| 64CCB170K | 9259-3833 | 64 | 63.95 | 1.50 |
| 65CCB175K | 9259-3834 | 65 | 64.95 | 1.46 |

NOTE: Steel tensile cord available as a made to order product. Lead time and minimum order quantities apply. Contact Customer Service for availability.

PowerGrip® GT² Twin Power® Belts - 3MR and 5MR

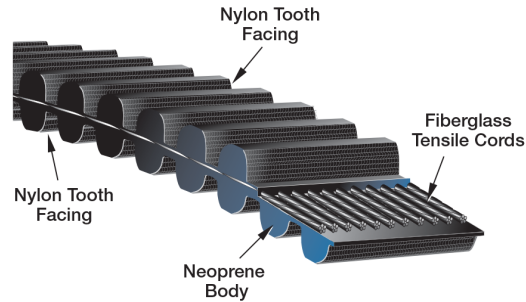
Twin Power belts have teeth on both sides to provide synchronization from both driving surfaces.

Markets/Applications

PowerGrip GT2 Twin Power belts are ideal for many applications including data storage, machine tool, hand power tools, postage handling, medicine diagnostic, sewing machines, ticket dispensers, robotics, vending machines and vacuum cleaners.

Features/Advantages

- Gates Twin Power belts have **nylon facing** on both tooth surfaces providing equal load carrying capabilities on either side of belt.
- Belt capacity is equal to standard single-sided PowerGrip belts.
- **Fiberglass tensile cord** provides high strength, excellent flex life, and high resistance to elongation.
- **Neoprene body** provides protection against grime, grease, oil, and moisture.
- Eliminates lubrication and re-tensioning to reduce maintenance and labor required on the drive.



Recommended Sprockets

PowerGrip® GT² Sprockets - 3MR
5M Sprockets - PowerGrip GT2 and Poly Chain® GT® Sprockets

Notes

PowerGrip GT2 Twin Power belts in standard width are Standard/Non-Stock. Minimum order quantities are not required on standard widths.

| Belt Width Code | Belt Width (mm) | Belt Width (in.) |
|-----------------|-----------------|------------------|
| 06 | 6 | 0.236 |
| 09 | 9 | 0.354 |
| 15 | 15 | 0.591 |

| Belt Width Code | Belt Width (mm) | Belt Width (in.) |
|-----------------|-----------------|------------------|
| 09 | 9 | 0.354 |
| 15 | 15 | 0.591 |
| 25 | 25 | 0.984 |

PowerGrip GT2 Twin Power part numbers are comprised of pitch, pitch length and width. For example; part number TP3MR-426-06 denotes "TP" for Twin Power, 3mm pitch, 426mm pitch length and 6mm width.

Belt **pitch** is the distance in millimeters between two adjacent tooth centers as measured on the pitch line of the belt. Belt **pitch length** is the total length (circumference) in millimeters as measured along the pitch line. The theoretical pitch line of a PowerGrip GT2 Twin Power belt lies within the tensile member.

Product No. Series 9232

3MR - Twin Power Belts

| Part No. | Pitch Length (mm) | Pitch Length (in) | Number of Teeth |
|-----------|-------------------|-------------------|-----------------|
| TP3MR-381 | 381 | 15.00 | 127 |
| TP3MR-396 | 396 | 15.59 | 132 |
| TP3MR-399 | 399 | 15.71 | 133 |
| TP3MR-405 | 405 | 15.94 | 135 |
| TP3MR-411 | 411 | 16.18 | 137 |
| TP3MR-420 | 420 | 16.54 | 140 |
| TP3MR-426 | 426 | 16.77 | 142 |
| TP3MR-432 | 432 | 17.01 | 144 |
| TP3MR-435 | 435 | 17.13 | 145 |
| TP3MR-447 | 447 | 17.60 | 149 |
| TP3MR-465 | 465 | 18.31 | 155 |
| TP3MR-468 | 468 | 18.43 | 156 |
| TP3MR-471 | 471 | 18.54 | 157 |
| TP3MR-474 | 474 | 18.66 | 158 |
| TP3MR-480 | 480 | 18.90 | 160 |
| TP3MR-486 | 486 | 19.13 | 162 |
| TP3MR-489 | 489 | 19.25 | 163 |
| TP3MR-492 | 492 | 19.37 | 164 |
| TP3MR-501 | 501 | 19.72 | 167 |

| Part No. | Pitch Length (mm) | Pitch Length (in) | Number of Teeth |
|-----------|-------------------|-------------------|-----------------|
| TP3MR-510 | 510 | 20.08 | 170 |
| TP3MR-513 | 513 | 20.20 | 171 |
| TP3MR-519 | 519 | 20.43 | 173 |
| TP3MR-525 | 525 | 20.67 | 175 |
| TP3MR-528 | 528 | 20.79 | 176 |
| TP3MR-531 | 531 | 20.91 | 177 |
| TP3MR-537 | 537 | 21.14 | 179 |
| TP3MR-552 | 552 | 21.73 | 184 |
| TP3MR-558 | 558 | 21.97 | 186 |
| TP3MR-564 | 564 | 22.20 | 188 |
| TP3MR-570 | 570 | 22.44 | 190 |
| TP3MR-576 | 576 | 22.68 | 192 |
| TP3MR-585 | 585 | 23.03 | 195 |
| TP3MR-591 | 591 | 23.27 | 197 |
| TP3MR-597 | 597 | 23.50 | 199 |
| TP3MR-600 | 600 | 23.62 | 200 |
| TP3MR-606 | 606 | 23.86 | 202 |
| TP3MR-609 | 609 | 23.98 | 203 |
| TP3MR-612 | 612 | 24.09 | 204 |

| Part No. | Pitch Length (mm) | Pitch Length (in) | Number of Teeth |
|-----------|-------------------|-------------------|-----------------|
| TP3MR-627 | 627 | 24.69 | 209 |
| TP3MR-633 | 633 | 24.92 | 211 |
| TP3MR-639 | 639 | 25.16 | 213 |
| TP3MR-645 | 645 | 25.39 | 215 |
| TP3MR-648 | 648 | 25.51 | 216 |
| TP3MR-654 | 654 | 25.75 | 218 |
| TP3MR-657 | 657 | 25.87 | 219 |
| TP3MR-663 | 663 | 26.10 | 221 |
| TP3MR-669 | 669 | 26.34 | 223 |
| TP3MR-684 | 684 | 26.93 | 228 |
| TP3MR-687 | 687 | 27.05 | 229 |
| TP3MR-696 | 696 | 27.40 | 232 |
| TP3MR-711 | 711 | 27.99 | 237 |
| TP3MR-735 | 735 | 28.94 | 245 |
| TP3MR-738 | 738 | 29.06 | 246 |
| TP3MR-750 | 750 | 29.53 | 250 |
| TP3MR-753 | 753 | 29.65 | 251 |
| TP3MR-786 | 786 | 30.94 | 262 |
| TP3MR-795 | 795 | 31.30 | 265 |

PowerGrip® GT®2 Twin Power® Belts - 3MR and 5MR

Product No. Series 9232 (continued)

3MR - Twin Power Belts (continued)

| Part No. | Pitch Length (mm) | Pitch Length (in) | Number of Teeth |
|-----------|-------------------|-------------------|-----------------|
| TP3MR-822 | 822 | 32.36 | 274 |
| TP3MR-837 | 837 | 32.95 | 279 |
| TP3MR-840 | 840 | 33.07 | 280 |
| TP3MR-843 | 843 | 33.19 | 281 |
| TP3MR-873 | 873 | 34.37 | 291 |
| TP3MR-882 | 882 | 34.72 | 294 |
| TP3MR-891 | 891 | 35.08 | 297 |
| TP3MR-900 | 900 | 35.43 | 300 |
| TP3MR-915 | 915 | 36.02 | 305 |
| TP3MR-945 | 945 | 37.20 | 315 |
| TP3MR-951 | 951 | 37.44 | 317 |

| Part No. | Pitch Length (mm) | Pitch Length (in) | Number of Teeth |
|------------|-------------------|-------------------|-----------------|
| TP3MR-981 | 981 | 38.62 | 327 |
| TP3MR-1002 | 1002 | 39.45 | 334 |
| TP3MR-1026 | 1026 | 40.39 | 342 |
| TP3MR-1035 | 1035 | 40.74 | 345 |
| TP3MR-1050 | 1050 | 41.34 | 350 |
| TP3MR-1056 | 1056 | 41.57 | 352 |
| TP3MR-1062 | 1062 | 41.81 | 354 |
| TP3MR-1080 | 1080 | 42.52 | 360 |
| TP3MR-1125 | 1125 | 44.29 | 375 |
| TP3MR-1155 | 1155 | 45.47 | 385 |
| TP3MR-1191 | 1191 | 46.89 | 397 |

| Part No. | Pitch Length (mm) | Pitch Length (in) | Number of Teeth |
|------------|-------------------|-------------------|-----------------|
| TP3MR-1263 | 1263 | 49.72 | 421 |
| TP3MR-1335 | 1335 | 52.56 | 445 |
| TP3MR-1500 | 1500 | 59.06 | 500 |
| TP3MR-1512 | 1512 | 59.53 | 504 |
| TP3MR-1536 | 1536 | 60.47 | 512 |
| TP3MR-1587 | 1587 | 62.48 | 529 |
| TP3MR-1956 | 1956 | 77.01 | 652 |
| TP3MR-2004 | 2004 | 78.90 | 668 |
| TP3MR-2061 | 2061 | 81.14 | 687 |

5MR - Twin Power Belts

| Part No. | Pitch Length (mm) | Pitch Length (in) | Number of Teeth |
|-----------|-------------------|-------------------|-----------------|
| TP5MR-400 | 400 | 15.75 | 80 |
| TP5MR-425 | 425 | 16.73 | 85 |
| TP5MR-450 | 450 | 17.72 | 90 |
| TP5MR-500 | 500 | 19.69 | 100 |
| TP5MR-535 | 535 | 21.06 | 107 |
| TP5MR-565 | 565 | 22.24 | 113 |
| TP5MR-575 | 575 | 22.64 | 115 |
| TP5MR-580 | 580 | 22.83 | 116 |
| TP5MR-600 | 600 | 23.62 | 120 |
| TP5MR-625 | 625 | 24.61 | 125 |
| TP5MR-650 | 650 | 25.69 | 130 |
| TP5MR-700 | 700 | 27.56 | 140 |
| TP5MR-710 | 710 | 27.95 | 142 |
| TP5MR-740 | 740 | 29.13 | 148 |
| TP5MR-745 | 745 | 29.33 | 149 |
| TP5MR-750 | 750 | 29.53 | 150 |
| TP5MR-765 | 765 | 30.12 | 153 |
| TP5MR-790 | 790 | 31.10 | 158 |
| TP5MR-800 | 800 | 31.50 | 160 |
| TP5MR-815 | 815 | 32.09 | 163 |
| TP5MR-830 | 830 | 32.68 | 166 |

| Part No. | Pitch Length (mm) | Pitch Length (in) | Number of Teeth |
|------------|-------------------|-------------------|-----------------|
| TP5MR-835 | 835 | 32.87 | 167 |
| TP5MR-850 | 850 | 33.46 | 170 |
| TP5MR-870 | 870 | 34.25 | 174 |
| TP5MR-890 | 890 | 35.04 | 178 |
| TP5MR-900 | 900 | 35.43 | 180 |
| TP5MR-925 | 925 | 36.42 | 185 |
| TP5MR-950 | 950 | 37.40 | 190 |
| TP5MR-975 | 975 | 38.39 | 195 |
| TP5MR-985 | 985 | 38.78 | 197 |
| TP5MR-1000 | 1000 | 39.37 | 200 |
| TP5MR-1050 | 1050 | 41.34 | 210 |
| TP5MR-1115 | 1115 | 43.91 | 223 |
| TP5MR-1125 | 1125 | 44.29 | 225 |
| TP5MR-1150 | 1150 | 45.28 | 230 |
| TP5MR-1195 | 1195 | 47.05 | 239 |
| TP5MR-1250 | 1250 | 49.21 | 250 |
| TP5MR-1270 | 1270 | 50.00 | 254 |
| TP5MR-1295 | 1295 | 50.98 | 259 |
| TP5MR-1300 | 1300 | 51.18 | 260 |
| TP5MR-1375 | 1375 | 54.13 | 275 |
| TP5MR-1420 | 1420 | 55.91 | 284 |

| Part No. | Pitch Length (mm) | Pitch Length (in) | Number of Teeth |
|------------|-------------------|-------------------|-----------------|
| TP5MR-1450 | 1450 | 57.09 | 290 |
| TP5MR-1575 | 1575 | 62.01 | 315 |
| TP5MR-1595 | 1595 | 62.80 | 319 |
| TP5MR-1635 | 1635 | 64.37 | 327 |
| TP5MR-1690 | 1690 | 66.54 | 338 |
| TP5MR-1790 | 1790 | 70.47 | 358 |
| TP5MR-1800 | 1800 | 70.87 | 360 |
| TP5MR-1895 | 1895 | 74.61 | 379 |
| TP5MR-1945 | 1945 | 76.57 | 389 |
| TP5MR-2000 | 2000 | 78.74 | 400 |
| TP5MR-2110 | 2110 | 83.07 | 422 |
| TP5MR-2250 | 2250 | 88.58 | 450 |
| TP5MR-2525 | 2525 | 99.41 | 505 |
| TP5MR-2760 | 2760 | 108.66 | 552 |
| TP5MR-3120 | 3120 | 122.83 | 624 |
| TP5MR-3170 | 3170 | 124.80 | 634 |
| TP5MR-3200 | 3200 | 125.98 | 640 |
| TP5MR-3430 | 3430 | 135.04 | 686 |
| TP5MR-3800 | 3800 | 149.61 | 760 |

TWIN POWER BELTS

PowerGrip® GT®2 Twin Power® Belts - 8M and 14M

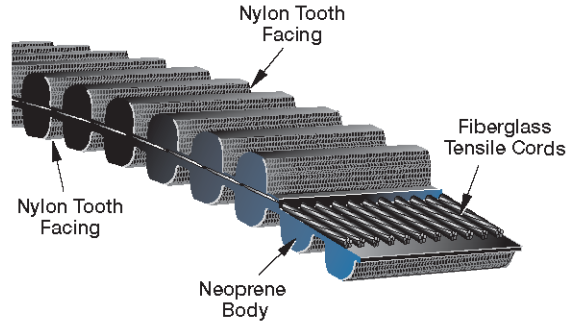
Twin Power belts have teeth on both sides to provide synchronization from both driving surfaces.

Markets/Applications

PowerGrip GT2 Twin Power belts are ideal for serpentine applications requiring rotation reversal or synchronization of driven shafts. Ideal for use in industries such as textile, paper, packaging and printing.

Features/Advantages

- Gates Twin Power belts have **nylon facing** on both tooth surfaces providing equal load carrying capabilities on either side of belt.
- Belt capacity is equal to standard single-sided PowerGrip GT2 belts.
- **Fiberglass tensile cord** provides high strength, excellent flex life, and high resistance to elongation.
- **Neoprene body** provides protection against grime, grease, oil, and moisture.
- Eliminates lubrication and re-tensioning to reduce maintenance and labor required on the drive.



TWIN POWER BELTS

Recommended Sprockets

PowerGrip GT2 Sprockets

Notes

If you currently use PowerGrip HTD Twin Power belts, consider PowerGrip GT2 Twin Power belts at reduced widths to lower your costs. PowerGrip GT2 Twin Power part numbers are comprised of pitch, pitch length and width. For example; part number TP4400-8MGT-30 denotes a "TP" for Twin Power, 4400mm pitch length, 8mm pitch and 30mm width.

Belt **pitch** is the distance in millimeters between two adjacent tooth centers as measured on the pitch line of the belt. Belt **pitch length** is the total length (circumference) in millimeters as measured along the pitch line. The theoretical pitch line of a PowerGrip GT2 Twin Power belt lies within the tensile member.

Product No. Series 9232

8mm Pitch — 20mm Wide

| Part No. | Product No. | Number of Teeth | Pitch Length (in) | Weight (Lbs.) | Part No. | Product No. | Number of Teeth | Pitch Length (in) | Weight (Lbs.) |
|-----------------------------|-------------|-----------------|-------------------|---------------|----------------|-------------|-----------------|-------------------|---------------|
| ² TP560-8MGT-20 | 9232-0005 | 70 | 22.05 | .16 | TP1280-8MGT-20 | 9232-0045 | 160 | 50.39 | .36 |
| TP600-8MGT-20 | 9232-0009 | 75 | 23.62 | .17 | TP1440-8MGT-20 | 9232-0049 | 180 | 56.69 | .42 |
| TP640-8MGT-20 | 9232-0013 | 80 | 25.20 | .18 | TP1512-8MGT-20 | 9232-1013 | 189 | 59.53 | .43 |
| TP720-8MGT-20 | 9232-0017 | 90 | 28.35 | .20 | TP1600-8MGT-20 | 9232-0053 | 200 | 62.99 | .46 |
| TP800-8MGT-20 | 9232-0021 | 100 | 31.50 | .24 | TP1760-8MGT-20 | 9232-0057 | 220 | 69.29 | .50 |
| TP840-8MGT-20 | 9232-1025 | 105 | 33.07 | .25 | TP1800-8MGT-20 | 9232-0061 | 225 | 70.87 | .52 |
| TP880-8MGT-20 | 9232-0025 | 110 | 34.65 | .26 | TP2000-8MGT-20 | 9232-0065 | 250 | 78.74 | .60 |
| TP920-8MGT-20 | 9232-1001 | 115 | 36.22 | .27 | TP2200-8MGT-20 | 9232-1033 | 275 | 86.61 | .65 |
| TP960-8MGT-20 | 9232-0029 | 120 | 37.80 | .28 | TP2400-8MGT-20 | 9232-0069 | 300 | 94.49 | .70 |
| TP1040-8MGT-20 | 9232-0033 | 130 | 40.94 | .30 | TP2600-8MGT-20 | 9232-0077 | 325 | 102.36 | .74 |
| ² TP1064-8MGT-20 | 9232-1005 | 133 | 41.89 | .32 | TP2800-8MGT-20 | 9232-0073 | 350 | 110.24 | .80 |
| TP1120-8MGT-20 | 9232-0037 | 140 | 44.09 | .33 | TP3048-8MGT-20 | 9232-0081 | 381 | 120.00 | .87 |
| TP1160-8MGT-20 | 9232-2049 | 145 | 45.83 | .66 | TP3280-8MGT-20 | 9232-0085 | 410 | 129.13 | .93 |
| TP1200-8MGT-20 | 9232-0041 | 150 | 47.24 | .35 | TP3600-8MGT-20 | 9232-0089 | 450 | 141.73 | 1.02 |
| TP1224-8MGT-20 | 9232-1029 | 153 | 48.19 | .36 | TP4400-8MGT-20 | 9232-0093 | 550 | 173.23 | 1.25 |

8mm Pitch — 30mm Wide

| Part No. | Product No. | Number of Teeth | Pitch Length (in) | Weight (Lbs.) | Part No. | Product No. | Number of Teeth | Pitch Length (in) | Weight (Lbs.) |
|----------------------------|-------------|-----------------|-------------------|---------------|-----------------------------|-------------|-----------------|-------------------|---------------|
| ² TP560-8MGT-30 | 9232-0006 | 70 | 22.05 | .26 | TP960-8MGT-30 | 9232-0030 | 120 | 37.80 | .45 |
| TP600-8MGT-30 | 9232-0010 | 75 | 23.62 | .28 | TP1040-8MGT-30 | 9232-0034 | 130 | 40.94 | .47 |
| TP640-8MGT-30 | 9232-0014 | 80 | 25.20 | .30 | ² TP1064-8MGT-30 | 9232-1006 | 133 | 41.89 | .49 |
| TP720-8MGT-30 | 9232-0018 | 90 | 28.35 | .34 | TP1120-8MGT-30 | 9232-0038 | 140 | 44.09 | .50 |
| TP800-8MGT-30 | 9232-0022 | 100 | 31.50 | .37 | TP1160-8MGT-30 | 9232-1010 | 145 | 45.83 | .53 |
| TP840-8MGT-30 | 9232-1026 | 105 | 33.07 | .38 | TP1200-8MGT-30 | 9232-0042 | 150 | 47.24 | .55 |
| TP880-8MGT-30 | 9232-0026 | 110 | 34.65 | .40 | TP1224-8MGT-30 | 9232-1030 | 153 | 48.19 | .56 |
| TP920-8MGT-30 | 9232-1002 | 115 | 36.22 | .42 | TP1280-8MGT-30 | 9232-0046 | 160 | 50.39 | .60 |

² MTO Minimum Required. Check with Customer Service for availability.

PowerGrip® GT®2 Twin Power® Belts - 8M and 14M

Product No. Series 9232 (continued)

8mm Pitch — 30mm Wide (continued)

| Part No. | Product No. | Number of Teeth | Pitch Length (in) | Weight (Lbs.) | Part No. | Product No. | Number of Teeth | Pitch Length (in) | Weight (Lbs.) |
|----------------|-------------|-----------------|-------------------|---------------|----------------|-------------|-----------------|-------------------|---------------|
| TP1440-8MGT-30 | 9232-0050 | 180 | 56.69 | .65 | TP2400-8MGT-30 | 9232-0070 | 300 | 94.49 | 1.04 |
| TP1512-8MGT-30 | 9232-1014 | 189 | 59.53 | .66 | TP2600-8MGT-30 | 9232-0078 | 325 | 102.36 | 1.14 |
| TP1600-8MGT-30 | 9232-0054 | 200 | 62.99 | .71 | TP2800-8MGT-30 | 9232-0074 | 350 | 110.24 | 1.20 |
| TP1760-8MGT-30 | 9232-0058 | 220 | 69.29 | .78 | TP3048-8MGT-30 | 9232-0082 | 381 | 120.00 | 1.32 |
| TP1800-8MGT-30 | 9232-0062 | 225 | 70.87 | .80 | TP3280-8MGT-30 | 9232-0086 | 410 | 129.13 | 1.45 |
| TP2000-8MGT-30 | 9232-0066 | 250 | 78.74 | .90 | TP3600-8MGT-30 | 9232-0090 | 450 | 141.73 | 1.55 |
| TP2200-8MGT-30 | 9232-1034 | 275 | 86.61 | .96 | TP4400-8MGT-30 | 9232-0094 | 550 | 173.23 | 1.90 |

8mm Pitch — 50mm Wide

| Part No. | Product No. | Number of Teeth | Pitch Length (in) | Weight (Lbs.) | Part No. | Product No. | Number of Teeth | Pitch Length (in) | Weight (Lbs.) |
|-----------------------------|-------------|-----------------|-------------------|---------------|----------------|-------------|-----------------|-------------------|---------------|
| ² TP560-8MGT-50 | 9232-0007 | 70 | 22.05 | .42 | TP1280-8MGT-50 | 9232-0047 | 160 | 50.39 | .95 |
| TP600-8MGT-50 | 9232-0011 | 75 | 23.62 | .47 | TP1440-8MGT-50 | 9232-0051 | 180 | 56.69 | 1.10 |
| TP640-8MGT-50 | 9232-0015 | 80 | 25.20 | .50 | TP1512-8MGT-50 | 9232-1015 | 189 | 59.53 | 1.11 |
| TP720-8MGT-50 | 9232-0019 | 90 | 28.35 | .55 | TP1600-8MGT-50 | 9232-0055 | 200 | 62.99 | 1.20 |
| TP800-8MGT-50 | 9232-0023 | 100 | 31.50 | .60 | TP1760-8MGT-50 | 9232-0059 | 220 | 69.29 | 1.30 |
| TP840-8MGT-50 | 9232-1027 | 105 | 33.07 | .67 | TP1800-8MGT-50 | 9232-0063 | 225 | 70.87 | 1.30 |
| TP880-8MGT-50 | 9232-0027 | 110 | 34.65 | .68 | TP2000-8MGT-50 | 9232-0067 | 250 | 78.74 | 1.45 |
| TP920-8MGT-50 | 9232-1003 | 115 | 36.22 | .73 | TP2200-8MGT-50 | 9232-1035 | 275 | 86.61 | 1.60 |
| TP960-8MGT-50 | 9232-0031 | 120 | 37.80 | .74 | TP2400-8MGT-50 | 9232-0071 | 300 | 94.49 | 1.80 |
| TP1040-8MGT-50 | 9232-0035 | 130 | 40.94 | .78 | TP2600-8MGT-50 | 9232-0079 | 325 | 102.36 | 1.90 |
| ² TP1064-8MGT-50 | 9232-1007 | 133 | 41.89 | .80 | TP2800-8MGT-50 | 9232-0075 | 350 | 110.24 | 2.00 |
| TP1120-8MGT-50 | 9232-0039 | 140 | 44.09 | .86 | TP3048-8MGT-50 | 9232-0083 | 381 | 120.00 | 2.20 |
| TP1160-8MGT-50 | 9232-1011 | 145 | 45.83 | .83 | TP3280-8MGT-50 | 9232-0087 | 410 | 129.13 | 2.40 |
| TP1200-8MGT-50 | 9232-0043 | 150 | 47.24 | .90 | TP3600-8MGT-50 | 9232-0091 | 450 | 141.73 | 2.60 |
| ² TP1224-8MGT-50 | 9232-1031 | 153 | 48.19 | .92 | TP4400-8MGT-50 | 9232-0095 | 550 | 173.23 | 3.20 |

8mm Pitch — 85mm Wide

| Part No. | Product No. | Number of Teeth | Pitch Length (in) | Weight (Lbs.) | Part No. | Product No. | Number of Teeth | Pitch Length (in) | Weight (Lbs.) |
|-----------------------------|-------------|-----------------|-------------------|---------------|-----------------------------|-------------|-----------------|-------------------|---------------|
| ² TP560-8MGT-85 | 9232-0008 | 70 | 22.05 | 1.32 | TP1280-8MGT-85 | 9232-0048 | 160 | 50.39 | 3.04 |
| TP600-8MGT-85 | 9232-0012 | 75 | 23.62 | 1.42 | TP1440-8MGT-85 | 9232-0052 | 180 | 56.69 | 3.42 |
| TP640-8MGT-85 | 9232-0016 | 80 | 25.20 | 1.52 | ² TP1512-8MGT-85 | 9232-1016 | 189 | 59.53 | 3.56 |
| TP720-8MGT-85 | 9232-0020 | 90 | 28.35 | 1.70 | TP1600-8MGT-85 | 9232-0056 | 200 | 62.99 | 3.80 |
| TP800-8MGT-85 | 9232-0024 | 100 | 31.50 | 1.90 | TP1760-8MGT-85 | 9232-0060 | 220 | 69.29 | 4.16 |
| TP840-8MGT-85 | 9232-1028 | 105 | 33.07 | 1.98 | TP1800-8MGT-85 | 9232-0064 | 225 | 70.87 | 4.30 |
| TP880-8MGT-85 | 9232-0028 | 110 | 34.65 | 2.08 | TP2000-8MGT-85 | 9232-0068 | 250 | 78.74 | 4.74 |
| TP920-8MGT-85 | 9232-1004 | 115 | 36.22 | 2.17 | TP2200-8MGT-85 | 9232-1036 | 275 | 86.61 | 5.20 |
| TP960-8MGT-85 | 9232-1008 | 120 | 37.80 | 2.27 | TP2400-8MGT-85 | 9232-0072 | 300 | 94.49 | 5.68 |
| TP1040-8MGT-85 | 9232-0036 | 130 | 40.94 | 2.46 | TP2600-8MGT-85 | 9232-0080 | 325 | 102.36 | 6.18 |
| TP1064-8MGT-85 | 9232-2048 | 133 | 41.89 | 2.50 | TP2800-8MGT-85 | 9232-0076 | 350 | 110.24 | 6.64 |
| TP1120-8MGT-85 | 9232-0040 | 140 | 44.09 | 2.65 | TP3048-8MGT-85 | 9232-0084 | 381 | 120.00 | 7.24 |
| TP1160-8MGT-85 | 9232-1012 | 145 | 45.83 | 2.76 | TP3280-8MGT-85 | 9232-0088 | 410 | 129.13 | 7.78 |
| TP1200-8MGT-85 | 9232-0044 | 150 | 47.24 | 2.84 | TP3600-8MGT-85 | 9232-0092 | 450 | 141.73 | 8.50 |
| ² TP1224-8MGT-85 | 9232-1032 | 153 | 48.19 | 2.89 | TP4400-8MGT-85 | 9232-0096 | 550 | 173.23 | 10.44 |

14mm Pitch — 40mm Wide

| Part No. | Product No. | Number of Teeth | Pitch Length (in) | Weight (Lbs.) | Part No. | Product No. | Number of Teeth | Pitch Length (in) | Weight (Lbs.) |
|-----------------|-------------|-----------------|-------------------|---------------|-----------------|-------------|-----------------|-------------------|---------------|
| TP966-14MGT-40 | 9232-0100 | 69 | 38.03 | 2.20 | TP2310-14MGT-40 | 9232-0135 | 165 | 90.94 | 3.40 |
| TP1190-14MGT-40 | 9232-0105 | 85 | 46.85 | 2.40 | TP2450-14MGT-40 | 9232-0140 | 175 | 96.46 | 3.60 |
| TP1400-14MGT-40 | 9232-0110 | 100 | 55.12 | 2.50 | TP2590-14MGT-40 | 9232-0145 | 185 | 101.97 | 3.85 |
| TP1610-14MGT-40 | 9232-0115 | 115 | 63.39 | 2.80 | TP2800-14MGT-40 | 9232-0150 | 200 | 110.24 | 3.95 |
| TP1778-14MGT-40 | 9232-0120 | 127 | 70.00 | 3.00 | TP3150-14MGT-40 | 9232-0155 | 225 | 124.02 | 4.30 |
| TP1890-14MGT-40 | 9232-0125 | 135 | 74.41 | 3.10 | TP3360-14MGT-40 | 9232-0180 | 240 | 132.28 | 4.50 |
| TP2100-14MGT-40 | 9232-0130 | 150 | 82.68 | 3.30 | TP3500-14MGT-40 | 9232-0160 | 250 | 137.80 | 4.70 |

² MTO Minimum Required. Check with Customer Service for availability.

PowerGrip® GT®2 Twin Power® Belts - 8M and 14M

Product No. Series 9232 (continued)

14mm Pitch — 40mm Wide (continued)

| Part No. | Product No. | Number of Teeth | Pitch Length (in) | Weight (Lbs.) | Part No. | Product No. | Number of Teeth | Pitch Length (in) | Weight (Lbs.) |
|-----------------|-------------|-----------------|-------------------|---------------|-----------------|-------------|-----------------|-------------------|---------------|
| TP3850-14MGT-40 | 9232-0165 | 275 | 151.57 | 5.10 | TP5320-14MGT-40 | 9232-0190 | 380 | 209.45 | 6.50 |
| TP4326-14MGT-40 | 9232-0170 | 309 | 170.31 | 5.40 | TP5740-14MGT-40 | 9232-0195 | 410 | 225.98 | 6.90 |
| TP4578-14MGT-40 | 9232-0175 | 327 | 180.24 | 5.70 | TP6160-14MGT-40 | 9232-0200 | 440 | 242.52 | 7.40 |
| TP4956-14MGT-40 | 9232-0185 | 354 | 195.12 | 6.20 | TP6860-14MGT-40 | 9232-0205 | 490 | 270.08 | 8.00 |

14mm Pitch — 55mm Wide

| Part No. | Product No. | Number of Teeth | Pitch Length (in) | Weight (Lbs.) | Part No. | Product No. | Number of Teeth | Pitch Length (in) | Weight (Lbs.) |
|-----------------|-------------|-----------------|-------------------|---------------|-----------------|-------------|-----------------|-------------------|---------------|
| TP966-14MGT-55 | 9232-0101 | 69 | 38.03 | 3.50 | TP3150-14MGT-55 | 9232-0156 | 225 | 124.02 | 5.70 |
| TP1190-14MGT-55 | 9232-0106 | 85 | 46.85 | 3.80 | TP3360-14MGT-55 | 9232-0181 | 240 | 132.28 | 5.90 |
| TP1400-14MGT-55 | 9232-0111 | 100 | 55.12 | 3.90 | TP3500-14MGT-55 | 9232-0161 | 250 | 137.80 | 6.00 |
| TP1610-14MGT-55 | 9232-0116 | 115 | 63.39 | 4.10 | TP3850-14MGT-55 | 9232-0166 | 275 | 151.57 | 6.50 |
| TP1778-14MGT-55 | 9232-0121 | 127 | 70.00 | 4.30 | TP4326-14MGT-55 | 9232-0171 | 309 | 170.31 | 7.00 |
| TP1890-14MGT-55 | 9232-0126 | 135 | 74.41 | 4.52 | TP4578-14MGT-55 | 9232-0176 | 327 | 180.24 | 7.20 |
| TP2100-14MGT-55 | 9232-0131 | 150 | 82.68 | 4.60 | TP4956-14MGT-55 | 9232-0186 | 354 | 195.12 | 7.60 |
| TP2310-14MGT-55 | 9232-0136 | 165 | 90.94 | 4.90 | TP5320-14MGT-55 | 9232-0191 | 380 | 209.45 | 8.00 |
| TP2450-14MGT-55 | 9232-0141 | 175 | 96.46 | 5.10 | TP5740-14MGT-55 | 9232-0196 | 410 | 225.98 | 8.40 |
| TP2590-14MGT-55 | 9232-0146 | 185 | 101.97 | 5.20 | TP6160-14MGT-55 | 9232-0201 | 440 | 242.52 | 8.80 |
| TP2800-14MGT-55 | 9232-0151 | 200 | 110.24 | 5.40 | TP6860-14MGT-55 | 9232-0206 | 490 | 270.08 | 9.50 |

14mm Pitch — 85mm Wide

| Part No. | Product No. | Number of Teeth | Pitch Length (in) | Weight (Lbs.) | Part No. | Product No. | Number of Teeth | Pitch Length (in) | Weight (Lbs.) |
|-----------------|-------------|-----------------|-------------------|---------------|-----------------|-------------|-----------------|-------------------|---------------|
| TP966-14MGT-85 | 9232-0102 | 69 | 38.03 | 2.30 | TP3150-14MGT-85 | 9232-0157 | 225 | 124.02 | 7.70 |
| TP1190-14MGT-85 | 9232-0107 | 85 | 46.85 | 2.80 | TP3360-14MGT-85 | 9232-0182 | 240 | 132.28 | 7.90 |
| TP1400-14MGT-85 | 9232-0112 | 100 | 55.12 | 3.20 | TP3500-14MGT-85 | 9232-0162 | 250 | 137.80 | 8.20 |
| TP1610-14MGT-85 | 9232-0117 | 115 | 63.39 | 3.80 | TP3850-14MGT-85 | 9232-0167 | 275 | 151.57 | 9.20 |
| TP1778-14MGT-85 | 9232-0122 | 127 | 70.00 | 4.25 | TP4326-14MGT-85 | 9232-0172 | 309 | 170.31 | 10.40 |
| TP1890-14MGT-85 | 9232-0127 | 135 | 74.41 | 4.50 | TP4578-14MGT-85 | 9232-0177 | 327 | 180.24 | 10.70 |
| TP2100-14MGT-85 | 9232-0132 | 150 | 82.68 | 5.00 | TP4956-14MGT-85 | 9232-0187 | 354 | 195.12 | 11.70 |
| TP2310-14MGT-85 | 9232-0137 | 165 | 90.94 | 5.50 | TP5320-14MGT-85 | 9232-0192 | 380 | 209.45 | 12.50 |
| TP2450-14MGT-85 | 9232-0142 | 175 | 96.46 | 5.80 | TP5740-14MGT-85 | 9232-0197 | 410 | 225.98 | 13.50 |
| TP2590-14MGT-85 | 9232-0147 | 185 | 101.97 | 6.10 | TP6160-14MGT-85 | 9232-0202 | 440 | 242.52 | 14.50 |
| TP2800-14MGT-85 | 9232-0152 | 200 | 110.24 | 6.80 | TP6860-14MGT-85 | 9232-0207 | 490 | 270.08 | 16.30 |

14mm Pitch — 115mm Wide

| Part No. | Product No. | Number of Teeth | Pitch Length (in) | Weight (Lbs.) | Part No. | Product No. | Number of Teeth | Pitch Length (in) | Weight (Lbs.) |
|------------------|-------------|-----------------|-------------------|---------------|------------------|-------------|-----------------|-------------------|---------------|
| TP966-14MGT-115 | 9232-0103 | 69 | 38.03 | 3.50 | TP2590-14MGT-115 | 9232-0148 | 185 | 101.97 | 8.60 |
| TP1190-14MGT-115 | 9232-0108 | 85 | 46.85 | 4.20 | TP2800-14MGT-115 | 9232-0153 | 200 | 110.24 | 9.30 |
| TP1400-14MGT-115 | 9232-0113 | 100 | 55.12 | 4.80 | TP3150-14MGT-115 | 9232-0158 | 225 | 124.02 | 10.60 |
| TP1610-14MGT-115 | 9232-0118 | 115 | 63.39 | 5.50 | TP3360-14MGT-115 | 9232-0183 | 240 | 132.28 | 11.20 |
| TP1778-14MGT-115 | 9232-0123 | 127 | 70.00 | 6.00 | TP3500-14MGT-115 | 9232-0163 | 250 | 137.80 | 11.50 |
| TP1890-14MGT-115 | 9232-0128 | 135 | 74.41 | 6.40 | TP3850-14MGT-115 | 9232-0168 | 275 | 151.57 | 12.70 |
| TP2100-14MGT-115 | 9232-0133 | 150 | 82.68 | 7.00 | TP4326-14MGT-115 | 9232-0173 | 309 | 170.31 | 14.30 |
| TP2310-14MGT-115 | 9232-0138 | 165 | 90.94 | 7.70 | TP4578-14MGT-115 | 9232-0178 | 327 | 180.24 | 15.00 |
| TP2450-14MGT-115 | 9232-0143 | 175 | 96.46 | 8.20 | | | | | |

14mm Pitch — 170mm Wide

| Part No. | Product No. | Number of Teeth | Pitch Length (in) | Weight (Lbs.) | Part No. | Product No. | Number of Teeth | Pitch Length (in) | Weight (Lbs.) |
|------------------|-------------|-----------------|-------------------|---------------|------------------|-------------|-----------------|-------------------|---------------|
| TP966-14MGT-170 | 9232-0104 | 69 | 38.03 | 5.00 | TP1610-14MGT-170 | 9232-0119 | 115 | 63.39 | 7.80 |
| TP1190-14MGT-170 | 9232-0109 | 85 | 46.85 | 6.00 | TP1778-14MGT-170 | 9232-0124 | 127 | 70.00 | 8.50 |
| TP1400-14MGT-170 | 9232-0114 | 100 | 55.12 | 7.00 | TP1890-14MGT-170 | 9232-0129 | 135 | 74.41 | 9.00 |

TWIN POWER BELTS

PowerGrip® GT®2 Twin Power® Belts - 8M and 14M

Product No. Series 9232 (continued)

14mm Pitch — 170mm Wide (continued)

| Part No. | Product No. | Number of Teeth | Pitch Length (in) | Weight (Lbs.) | Part No. | Product No. | Number of Teeth | Pitch Length (in) | Weight (Lbs.) |
|------------------|-------------|-----------------|-------------------|---------------|------------------|-------------|-----------------|-------------------|---------------|
| TP2100-14MGT-170 | 9232-0134 | 150 | 82.68 | 10.00 | TP3360-14MGT-170 | 9232-0184 | 240 | 132.28 | 15.40 |
| TP2310-14MGT-170 | 9232-0139 | 165 | 90.94 | 10.70 | TP3500-14MGT-170 | 9232-0164 | 250 | 137.80 | 15.80 |
| TP2450-14MGT-170 | 9232-0144 | 175 | 96.46 | 11.40 | TP3850-14MGT-170 | 9232-0169 | 275 | 151.57 | 17.50 |
| TP2590-14MGT-170 | 9232-0149 | 185 | 101.97 | 12.00 | TP4326-14MGT-170 | 9232-0174 | 309 | 170.31 | 19.50 |
| TP2800-14MGT-170 | 9232-0154 | 200 | 110.24 | 13.00 | TP4578-14MGT-170 | 9232-0179 | 327 | 180.24 | 20.50 |
| TP3150-14MGT-170 | 9232-0159 | 225 | 124.02 | 14.50 | | | | | |

TWIN POWER BELTS

PowerGrip® HTD® Twin Power® Belts

Twin Power® belts have teeth on both sides to provide synchronization from both driving surfaces.

Markets/Applications

PowerGrip® HTD® Twin Power® belts are suitable for many applications including data storage, hand power tools, postage handling, food processors, office machines, centrifuges, money handling, medicine diagnostic, sewing machines, ticket dispensers, robotics, vending machines and vacuum cleaners.

Features/Advantages

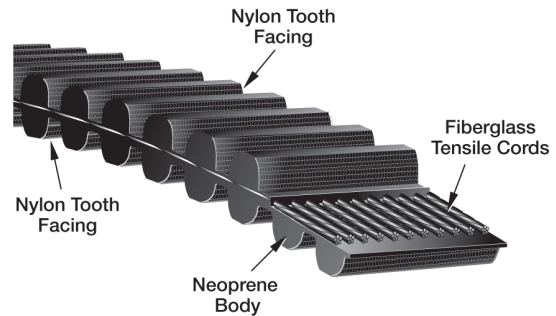
- Gates Twin Power® belts have **nylon facing** on both tooth surfaces providing equal load carrying capabilities on either side of the belt.
- Belt capacity is equal to standard single-sided PowerGrip® HTD® belts.
- **Fiberglass tensile cord** provides high strength, excellent flex life, and high resistance to elongation.
- **Neoprene body** provides protection against grime, grease, oil, and moisture.
- **Nylon tooth facing** provides a durable wear surface for long service life.
- Quieter than roller chain drives and eliminates lubrication and re-tensioning to reduce maintenance and labor.

Recommended Sprockets

PowerGrip® HTD® Sprockets

Notes

3mm pitch are made to order. Minimum order quantities will apply on all lengths and widths. 5mm pitch in standard widths are standard/non-stock. Minimum order quantities are not required on standard lengths and widths.



TWIN POWER BELTS

| 3M HTD Standard Belt Widths | | |
|-----------------------------|-----------------|------------------|
| Belt Width Code | Belt Width (mm) | Belt Width (In.) |
| 06 | 6 | 0.236 |
| 09 | 9 | 0.354 |
| 15 | 15 | 0.591 |

| 5M HTD Standard Belt Widths | | |
|-----------------------------|-----------------|------------------|
| Belt Width Code | Belt Width (mm) | Belt Width (In.) |
| 09 | 9 | 0.354 |
| 15 | 15 | 0.591 |
| 25 | 25 | 0.984 |

PowerGrip HTD Twin Power part numbers are comprised of pitch, pitch length and width. For example; part number TP444-3M-09 denotes "TP" for Twin Power, 444mm pitch length, 3mm pitch and 9mm width.

Belt pitch is the distance in millimeters between two adjacent tooth centers as measured on the pitch line of the belt. Belt pitch length is the total length (circumference) in millimeters as measured along the pitch line. The theoretical pitch line of a PowerGrip HTD Twin Power belt lies within the tensile member.

Product No. Series 9252

3mm Pitch

| Part No. | Number of Teeth | Pitch Length (in) | Pitch Length (mm) | Part No. | Number of Teeth | Pitch Length (in) | Pitch Length (mm) | Part No. | Number of Teeth | Pitch Length (in) | Pitch Length (mm) |
|----------|-----------------|-------------------|-------------------|----------|-----------------|-------------------|-------------------|----------|-----------------|-------------------|-------------------|
| TP381-3M | 127 | 15.00 | 381 | TP501-3M | 167 | 19.72 | 500 | TP633-3M | 211 | 24.92 | 632 |
| TP396-3M | 132 | 15.59 | 396 | TP510-3M | 170 | 20.08 | 510 | TP639-3M | 213 | 25.16 | 639 |
| TP399-3M | 133 | 15.71 | 399 | TP513-3M | 171 | 20.20 | 513 | TP645-3M | 215 | 25.39 | 644 |
| TP405-3M | 135 | 15.94 | 404 | TP525-3M | 175 | 20.67 | 525 | TP648-3M | 216 | 25.51 | 647 |
| TP411-3M | 137 | 16.18 | 410 | TP528-3M | 176 | 20.79 | 528 | TP654-3M | 218 | 25.75 | 657 |
| TP417-3M | 139 | 16.42 | 417 | TP531-3M | 177 | 20.91 | 531 | TP657-3M | 219 | 25.87 | 662 |
| TP420-3M | 140 | 16.54 | 420 | TP537-3M | 179 | 21.14 | 536 | TP663-3M | 221 | 26.10 | 669 |
| TP426-3M | 142 | 16.77 | 425 | TP558-3M | 186 | 21.97 | 558 | TP669-3M | 223 | 26.34 | 669 |
| TP432-3M | 144 | 17.01 | 432 | TP564-3M | 188 | 22.20 | 563 | TP684-3M | 228 | 26.93 | 684 |
| TP435-3M | 145 | 17.13 | 435 | TP570-3M | 190 | 22.44 | 569 | TP687-3M | 229 | 27.05 | 687 |
| TP438-3M | 146 | 17.24 | 437 | TP576-3M | 192 | 22.68 | 576 | TP696-3M | 232 | 27.40 | 695 |
| TP447-3M | 149 | 17.60 | 447 | TP585-3M | 195 | 23.03 | 584 | TP711-3M | 237 | 27.99 | 710 |
| TP468-3M | 156 | 18.43 | 468 | TP591-3M | 197 | 23.07 | 585 | TP735-3M | 245 | 28.94 | 735 |
| TP471-3M | 157 | 18.54 | 470 | TP597-3M | 199 | 23.50 | 596 | TP738-3M | 246 | 29.06 | 738 |
| TP474-3M | 158 | 18.66 | 473 | TP600-3M | 200 | 23.62 | 599 | TP753-3M | 251 | 29.65 | 753 |
| TP480-3M | 160 | 18.90 | 480 | TP606-3M | 202 | 23.86 | 606 | TP795-3M | 265 | 31.30 | 795 |
| TP486-3M | 162 | 19.13 | 485 | TP609-3M | 203 | 23.98 | 609 | TP822-3M | 274 | 32.36 | 821 |
| TP489-3M | 163 | 19.25 | 488 | TP612-3M | 204 | 24.09 | 611 | TP837-3M | 279 | 32.95 | 836 |
| TP492-3M | 164 | 19.37 | 492 | TP627-3M | 209 | 24.69 | 627 | TP843-3M | 281 | 33.19 | 843 |

PowerGrip® HTD® Twin Power® Belts

Product No. Series 9252 (continued)
3mm Pitch (continued)

| Part No. | Number of Teeth | Pitch Length (in) | Pitch Length (mm) |
|----------|-----------------|-------------------|-------------------|
| TP873-3M | 291 | 34.37 | 873 |
| TP882-3M | 294 | 34.72 | 881 |
| TP891-3M | 297 | 35.08 | 891 |
| TP900-3M | 300 | 35.43 | 899 |
| TP915-3M | 305 | 36.02 | 914 |
| TP945-3M | 315 | 37.20 | 944 |
| TP951-3M | 317 | 37.44 | 950 |

| Part No. | Number of Teeth | Pitch Length (in) | Pitch Length (mm) |
|-----------|-----------------|-------------------|-------------------|
| TP981-3M | 327 | 38.62 | 980 |
| TP1002-3M | 334 | 39.45 | 1002 |
| TP1026-3M | 342 | 40.39 | 1025 |
| TP1035-3M | 345 | 40.75 | 1035 |
| TP1062-3M | 354 | 41.81 | 1061 |
| TP1125-3M | 375 | 44.29 | 1124 |
| TP1155-3M | 385 | 45.47 | 1154 |

| Part No. | Number of Teeth | Pitch Length (in) | Pitch Length (mm) |
|-----------|-----------------|-------------------|-------------------|
| TP1191-3M | 397 | 46.89 | 1191 |
| TP1263-3M | 421 | 49.72 | 1262 |
| TP1500-3M | 500 | 59.06 | 1500 |
| TP1512-3M | 504 | 59.53 | 1512 |
| TP1587-3M | 529 | 62.48 | 1587 |
| TP1956-3M | 652 | 77.01 | 1956 |
| TP2004-3M | 668 | 78.90 | 2004 |

5mm Pitch

| Part No. | Number of Teeth | Pitch Length (in) | Pitch Length (mm) |
|----------|-----------------|-------------------|-------------------|
| TP400-5M | 80 | 15.75 | 400 |
| TP415-5M | 83 | 16.34 | 415 |
| TP425-5M | 85 | 16.73 | 425 |
| TP450-5M | 90 | 17.72 | 450 |
| TP460-5M | 92 | 18.11 | 460 |
| TP475-5M | 95 | 18.70 | 475 |
| TP480-5M | 96 | 18.90 | 480 |
| TP495-5M | 99 | 19.49 | 495 |
| TP500-5M | 100 | 19.69 | 500 |
| TP520-5M | 104 | 20.47 | 520 |
| TP535-5M | 107 | 21.06 | 535 |
| TP555-5M | 111 | 21.85 | 555 |
| TP565-5M | 113 | 22.24 | 565 |
| TP580-5M | 116 | 22.83 | 580 |
| TP585-5M | 117 | 23.03 | 585 |
| TP600-5M | 120 | 23.62 | 600 |
| TP615-5M | 123 | 24.21 | 615 |
| TP635-5M | 127 | 25.00 | 635 |
| TP655-5M | 131 | 25.79 | 655 |
| TP665-5M | 133 | 26.18 | 665 |
| TP670-5M | 134 | 26.38 | 671 |
| TP680-5M | 136 | 26.77 | 680 |
| TP685-5M | 137 | 29.97 | 685 |

| Part No. | Number of Teeth | Pitch Length (in) | Pitch Length (mm) |
|-----------|-----------------|-------------------|-------------------|
| TP695-5M | 139 | 29.36 | 695 |
| TP710-5M | 142 | 27.95 | 710 |
| TP740-5M | 148 | 29.13 | 740 |
| TP745-5M | 149 | 29.33 | 745 |
| TP765-5M | 153 | 30.12 | 765 |
| TP790-5M | 158 | 31.10 | 790 |
| TP800-5M | 160 | 31.50 | 800 |
| TP830-5M | 166 | 32.68 | 830 |
| TP835-5M | 167 | 32.87 | 835 |
| TP850-5M | 170 | 33.46 | 850 |
| TP870-5M | 174 | 34.25 | 870 |
| TP890-5M | 178 | 35.04 | 890 |
| TP925-5M | 185 | 36.42 | 925 |
| TP950-5M | 190 | 37.40 | 950 |
| TP975-5M | 195 | 38.39 | 975 |
| TP985-5M | 197 | 38.78 | 985 |
| TP1000-5M | 200 | 39.37 | 1000 |
| TP1050-5M | 210 | 41.34 | 1050 |
| TP1115-5M | 223 | 43.90 | 1115 |
| TP1125-5M | 225 | 44.29 | 1125 |
| TP1195-5M | 239 | 47.05 | 1195 |
| TP1250-5M | 250 | 49.21 | 1250 |
| TP1270-5M | 254 | 50.00 | 1270 |

| Part No. | Number of Teeth | Pitch Length (in) | Pitch Length (mm) |
|-----------|-----------------|-------------------|-------------------|
| TP1295-5M | 259 | 50.98 | 1295 |
| TP1375-5M | 275 | 54.13 | 1629 |
| TP1420-5M | 284 | 55.91 | 1420 |
| TP1575-5M | 315 | 62.01 | 1575 |
| TP1595-5M | 319 | 62.80 | 1595 |
| TP1635-5M | 327 | 64.37 | 1635 |
| TP1690-5M | 338 | 66.54 | 1690 |
| TP1720-5M | 344 | 67.72 | 1720 |
| TP1790-5M | 358 | 70.47 | 1790 |
| TP1800-5M | 360 | 70.87 | 1800 |
| TP1895-5M | 379 | 74.61 | 1895 |
| TP1945-5M | 389 | 76.57 | 1945 |
| TP1980-5M | 396 | 77.95 | 1980 |
| TP2000-5M | 400 | 78.74 | 2000 |
| TP2110-5M | 422 | 83.07 | 2110 |
| TP2250-5M | 450 | 88.58 | 2250 |
| TP2525-5M | 505 | 99.41 | 2525 |
| TP2760-5M | 552 | 108.66 | 2760 |
| TP3120-5M | 624 | 122.83 | 3120 |
| TP3170-5M | 634 | 124.80 | 3170 |
| TP3430-5M | 686 | 135.04 | 3430 |
| TP3800-5M | 760 | 149.61 | 3800 |

TWIN POWER BELTS

PowerGrip® Twin Power® Timing Belts

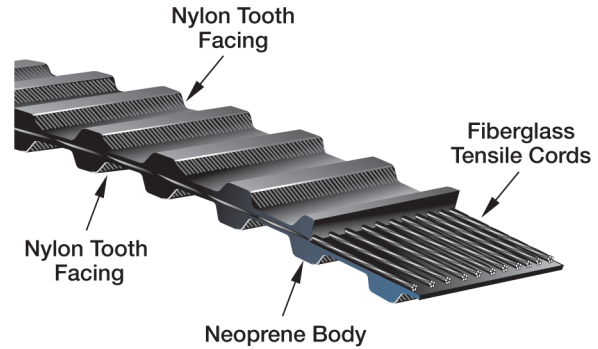
Twin Power belts have teeth on both sides to provide synchronization from both driving surfaces.

Markets/Applications

PowerGrip Twin Power Timing belts are suitable for all industrial serpentine applications requiring rotation reversal in some driven shafts.

Features/Advantages

- Gates Twin Power belts have **nylon facing** on both tooth surfaces providing equal load carrying capabilities on either side of belt.
- Belt capacity is equal to standard single-sided PowerGrip Timing belts.
- **Fiberglass tensile cord** provides high strength, excellent flex life, and high resistance to elongation.
- **Neoprene body** provides protection against grime, grease, oil, and moisture.
- Quieter than roller chain drives and eliminates lubrication and re-tensioning to reduce maintenance and labor.



TWIN POWER BELTS

Recommended Pulleys

PowerGrip® Timing Pulleys

Notes

Gates PowerGrip Twin Power Timing belt part numbers are comprised of pitch length, pitch and width. TP denotes Twin Power.

Length — The length is shown in the first part of the belt designation. The first number is the pitch length in tenths of an inch. A TP300L075 has a 30.0" pitch length.

Pitch — The pitch of a PowerGrip Twin Power Timing belt is the distance from center to center of the teeth (in inches). It is shown in the second part of the belt designation by a letter or letters. Part number TP300L075 has a .375" pitch. The letters correspond to pitches as follows:

XL = Extra Light = 0.200" pitch;

L = Light = 0.375" pitch;

H = Heavy = 0.500" pitch.

Width — The width is shown in the last part of the belt designation. Part number TP300L075 is .75" wide.

Product No. Series 9246

1/5" Pitch (.200"/XL) — 1/4" Wide

| Part No. | Product No. | Number of Teeth | Pitch Length (in) | Weight (Lbs.) | Part No. | Product No. | Number of Teeth | Pitch Length (in) | Weight (Lbs.) |
|-------------------------|-------------|-----------------|-------------------|---------------|-------------------------|-------------|-----------------|-------------------|---------------|
| ² TP126XL025 | 9246-1169 | 63 | 12.60 | .01 | TP180XL025 | 9246-1112 | 90 | 18.00 | .03 |
| TP128XL025 | 9246-1170 | 64 | 12.80 | .01 | TP182XL025 | 9246-1191 | 91 | 18.20 | .03 |
| TP130XL025 | 9246-1107 | 65 | 13.00 | .01 | ² TP184XL025 | 9246-1192 | 92 | 18.40 | .03 |
| ² TP132XL025 | 9246-1171 | 66 | 13.20 | .01 | ² TP186XL025 | 9246-1193 | 93 | 18.60 | .03 |
| ² TP134XL025 | 9246-1172 | 67 | 13.40 | .01 | TP188XL025 | 9246-1194 | 94 | 18.80 | .03 |
| ² TP136XL025 | 9246-1173 | 68 | 13.60 | .01 | TP190XL025 | 9246-1113 | 95 | 19.00 | .03 |
| ² TP138XL025 | 9246-1174 | 69 | 13.80 | .01 | ² TP192XL025 | 9246-1195 | 96 | 19.20 | .03 |
| TP140XL025 | 9246-1108 | 70 | 14.00 | .01 | TP200XL025 | 9246-1114 | 100 | 20.00 | .03 |
| ² TP142XL025 | 9246-1175 | 71 | 14.20 | .01 | TP202XL025 | 9246-1197 | 101 | 20.20 | .03 |
| ² TP144XL025 | 9246-1176 | 72 | 14.40 | .01 | ² TP204XL025 | 9246-1198 | 102 | 20.40 | .03 |
| TP146XL025 | 9246-1177 | 73 | 14.60 | .01 | ² TP206XL025 | 9246-1199 | 103 | 20.60 | .03 |
| ² TP148XL025 | 9246-1178 | 74 | 14.80 | .01 | TP210XL025 | 9246-1115 | 105 | 21.00 | .03 |
| TP150XL025 | 9246-1109 | 75 | 15.00 | .01 | TP212XL025 | 9246-8100 | 106 | 21.20 | .03 |
| ² TP152XL025 | 9246-1179 | 76 | 15.20 | .01 | TP214XL025 | 9246-8101 | 107 | 21.40 | .03 |
| TP156XL025 | 9246-1181 | 78 | 15.60 | .01 | TP218XL025 | 9246-8102 | 109 | 21.80 | .03 |
| ² TP158XL025 | 9246-1182 | 79 | 15.80 | .01 | TP220XL025 | 9246-1116 | 110 | 22.00 | .03 |
| TP160XL025 | 9246-1110 | 80 | 16.00 | .01 | ² TP222XL025 | 9246-8103 | 111 | 22.20 | .03 |
| ² TP162XL025 | 9246-1183 | 81 | 16.20 | .01 | ² TP226XL025 | 9246-8104 | 113 | 22.60 | .03 |
| ² TP166XL025 | 9246-1185 | 83 | 16.60 | .01 | ² TP228XL025 | 9246-8105 | 114 | 22.80 | .03 |
| ² TP168XL025 | 9246-1186 | 84 | 16.80 | .01 | TP230XL025 | 9246-1117 | 115 | 23.00 | .03 |
| TP170XL025 | 9246-1111 | 85 | 17.00 | .02 | ² TP232XL025 | 9246-8106 | 116 | 23.20 | .03 |
| ² TP172XL025 | 9246-1187 | 86 | 17.20 | .02 | TP234XL025 | 9246-8107 | 117 | 23.40 | .03 |
| ² TP174XL025 | 9246-1188 | 87 | 17.40 | .02 | ² TP236XL025 | 9246-8108 | 118 | 23.60 | .03 |
| TP176XL025 | 9246-1189 | 88 | 17.60 | .02 | TP240XL025 | 9246-1118 | 120 | 24.00 | .03 |
| ² TP178XL025 | 9246-1190 | 89 | 17.80 | .02 | ² TP244XL025 | 9246-8109 | 122 | 24.40 | .03 |

² MTO Minimum Required. Check with Customer Service for availability.

PowerGrip® Twin Power® Timing Belts

Product No. Series 9246 (continued)

1/5" Pitch (.200"/XL) — 1/4" Wide (continued)

| Part No. | Product No. | Number of Teeth | Pitch Length (in) | Weight (Lbs.) | Part No. | Product No. | Number of Teeth | Pitch Length (in) | Weight (Lbs.) |
|-------------------------|-------------|-----------------|-------------------|---------------|-------------------------|-------------|-----------------|-------------------|---------------|
| TP246XL025 | 9246-8110 | 123 | 24.60 | .03 | TP380XL025 | 9246-1130 | 190 | 38.00 | .05 |
| TP250XL025 | 9246-1119 | 125 | 25.00 | .03 | TP384XL025 | 9246-8128 | 192 | 38.40 | .05 |
| ² TP254XL025 | 9246-8111 | 127 | 25.40 | .03 | TP390XL025 | 9246-1131 | 195 | 39.00 | .05 |
| ² TP258XL025 | 9246-8112 | 129 | 25.80 | .03 | ² TP400XL025 | 9246-1132 | 200 | 40.00 | .06 |
| TP260XL025 | 9246-1120 | 130 | 26.00 | .03 | ² TP412XL025 | 9246-8129 | 206 | 41.20 | .06 |
| ² TP262XL025 | 9246-8113 | 131 | 26.20 | .03 | ² TP420XL025 | 9246-1133 | 210 | 42.00 | .06 |
| ² TP264XL025 | 9246-8114 | 132 | 26.40 | .03 | ² TP424XL025 | 9246-8130 | 212 | 42.40 | .06 |
| ² TP266XL025 | 9246-8115 | 133 | 26.60 | .03 | ² TP432XL025 | 9246-8131 | 216 | 43.20 | .06 |
| ² TP268XL025 | 9246-8116 | 134 | 26.80 | .03 | ² TP438XL025 | 9246-8132 | 219 | 43.80 | .06 |
| ² TP274XL025 | 9246-8117 | 137 | 27.40 | .03 | ² TP444XL025 | 9246-8133 | 222 | 44.40 | .06 |
| TP280XL025 | 9246-1122 | 140 | 28.00 | .03 | TP450XL025 | 9246-1134 | 225 | 45.00 | .06 |
| ² TP286XL025 | 9246-8118 | 143 | 28.60 | .03 | TP454XL025 | 9246-8134 | 227 | 45.40 | .07 |
| TP290XL025 | 9246-1123 | 145 | 29.00 | .04 | TP460XL025 | 9246-1135 | 230 | 46.00 | .07 |
| ² TP296XL025 | 9246-8119 | 148 | 29.60 | .04 | ² TP468XL025 | 9246-8135 | 234 | 46.80 | .07 |
| TP300XL025 | 9246-1124 | 150 | 30.00 | .04 | ² TP480XL025 | 9246-1136 | 240 | 48.00 | .08 |
| ² TP306XL025 | 9246-8120 | 153 | 30.60 | .04 | TP492XL025 | 9246-8136 | 246 | 49.20 | .08 |
| TP310XL025 | 9246-1125 | 155 | 31.00 | .04 | TP498XL025 | 9246-8137 | 249 | 49.80 | .08 |
| TP316XL025 | 9246-8121 | 158 | 31.60 | .04 | ² TP500XL025 | 9246-1137 | 250 | 50.00 | .08 |
| TP320XL025 | 9246-8122 | 160 | 32.00 | .04 | ² TP506XL025 | 9246-8138 | 253 | 50.60 | .08 |
| ² TP322XL025 | 9246-8123 | 161 | 32.20 | .04 | ² TP524XL025 | 9246-8139 | 262 | 52.40 | .08 |
| TP330XL025 | 9246-1126 | 165 | 33.00 | .04 | ² TP570XL025 | 9246-1138 | 285 | 57.00 | .08 |
| ² TP338XL025 | 9246-8124 | 169 | 33.80 | .04 | ² TP580XL025 | 9246-8140 | 290 | 58.00 | .09 |
| ² TP340XL025 | 9246-1128 | 170 | 34.00 | .05 | ² TP592XL025 | 9246-8141 | 296 | 59.20 | .09 |
| TP344XL025 | 9246-8125 | 172 | 34.40 | .05 | ² TP612XL025 | 9246-8142 | 306 | 61.20 | .09 |
| ² TP348XL025 | 9246-8126 | 174 | 34.80 | .05 | ² TP630XL025 | 9246-1139 | 315 | 63.00 | .09 |
| ² TP350XL025 | 9246-1127 | 175 | 35.00 | .05 | ² TP672XL025 | 9246-8143 | 336 | 67.20 | .10 |
| TP352XL025 | 9246-8146 | 176 | 35.20 | .05 | TP690XL025 | 9246-8147 | 345 | 69.00 | .10 |
| TP362XL025 | 9246-8127 | 181 | 36.20 | .05 | ² TP770XL025 | 9246-1140 | 385 | 77.00 | .12 |
| TP370XL025 | 9246-1129 | 185 | 37.00 | .05 | ² TP850XL025 | 9246-8145 | 425 | 85.00 | .14 |

TWIN POWER BELTS

1/5" Pitch (.200"/XL) — 3/8" Wide

| Part No. | Product No. | Number of Teeth | Pitch Length (in) | Weight (Lbs.) | Part No. | Product No. | Number of Teeth | Pitch Length (in) | Weight (Lbs.) |
|-------------------------|-------------|-----------------|-------------------|---------------|-------------------------|-------------|-----------------|-------------------|---------------|
| ² TP126XL037 | 9246-1369 | 63 | 12.60 | .02 | TP180XL037 | 9246-1312 | 90 | 18.00 | .03 |
| TP128XL037 | 9246-1370 | 64 | 12.80 | .02 | TP182XL037 | 9246-1391 | 91 | 18.20 | .03 |
| TP130XL037 | 9246-1307 | 65 | 13.00 | .02 | ² TP184XL037 | 9246-1392 | 92 | 18.40 | .03 |
| ² TP132XL037 | 9246-1371 | 66 | 13.20 | .02 | ² TP186XL037 | 9246-1393 | 93 | 18.60 | .03 |
| ² TP134XL037 | 9246-1372 | 67 | 13.40 | .02 | TP188XL037 | 9246-1394 | 94 | 18.80 | .04 |
| ² TP136XL037 | 9246-1373 | 68 | 13.60 | .02 | TP190XL037 | 9246-1313 | 95 | 19.00 | .04 |
| ² TP138XL037 | 9246-1374 | 69 | 13.80 | .02 | ² TP192XL037 | 9246-1395 | 96 | 19.20 | .04 |
| TP140XL037 | 9246-1308 | 70 | 14.00 | .02 | TP200XL037 | 9246-1314 | 100 | 20.00 | .04 |
| ² TP142XL037 | 9246-1375 | 71 | 14.20 | .02 | TP202XL037 | 9246-1397 | 101 | 20.20 | .04 |
| ² TP144XL037 | 9246-1376 | 72 | 14.40 | .02 | ² TP204XL037 | 9246-1398 | 102 | 20.40 | .04 |
| TP146XL037 | 9246-1377 | 73 | 14.60 | .02 | ² TP206XL037 | 9246-1399 | 103 | 20.60 | .04 |
| ² TP148XL037 | 9246-1378 | 74 | 14.80 | .02 | TP210XL037 | 9246-1315 | 105 | 21.00 | .04 |
| TP150XL037 | 9246-1309 | 75 | 15.00 | .02 | TP212XL037 | 9246-8300 | 106 | 21.20 | .04 |
| ² TP152XL037 | 9246-1379 | 76 | 15.20 | .02 | TP214XL037 | 9246-8301 | 107 | 21.40 | .04 |
| TP156XL037 | 9246-1381 | 78 | 15.60 | .02 | ² TP218XL037 | 9246-8302 | 109 | 21.80 | .04 |
| ² TP158XL037 | 9246-1382 | 79 | 15.80 | .02 | TP220XL037 | 9246-1316 | 110 | 22.00 | .04 |
| TP160XL037 | 9246-1310 | 80 | 16.00 | .02 | ² TP222XL037 | 9246-8303 | 111 | 22.20 | .04 |
| ² TP162XL037 | 9246-1383 | 81 | 16.20 | .02 | ² TP226XL037 | 9246-8304 | 113 | 22.60 | .04 |
| ² TP166XL037 | 9246-1385 | 83 | 16.60 | .02 | ² TP228XL037 | 9246-8305 | 114 | 22.80 | .04 |
| ² TP168XL037 | 9246-1386 | 84 | 16.80 | .02 | TP230XL037 | 9246-1317 | 115 | 23.00 | .04 |
| TP170XL037 | 9246-1311 | 85 | 17.00 | .03 | ² TP232XL037 | 9246-8306 | 116 | 23.20 | .04 |
| ² TP172XL037 | 9246-1387 | 86 | 17.20 | .03 | TP234XL037 | 9246-8307 | 117 | 23.40 | .05 |
| ² TP174XL037 | 9246-1388 | 87 | 17.40 | .03 | ² TP236XL037 | 9246-8308 | 118 | 23.60 | .05 |
| TP176XL037 | 9246-1389 | 88 | 17.60 | .03 | TP240XL037 | 9246-1318 | 120 | 24.00 | .05 |
| ² TP178XL037 | 9246-1390 | 89 | 17.80 | .03 | ² TP244XL037 | 9246-8309 | 122 | 24.40 | .05 |

² MTO Minimum Required. Check with Customer Service for availability.

PowerGrip® Twin Power® Timing Belts

Product No. Series 9246 (continued)

1/5" Pitch (.200"/XL) — 3/8" Wide (continued)

TWIN POWER BELTS

| Part No. | Product No. | Number of Teeth | Pitch Length (in) | Weight (Lbs.) | Part No. | Product No. | Number of Teeth | Pitch Length (in) | Weight (Lbs.) |
|-------------------------|-------------|-----------------|-------------------|---------------|-------------------------|-------------|-----------------|-------------------|---------------|
| ² TP246XL037 | 9246-8310 | 123 | 24.60 | .05 | TP380XL037 | 9246-1330 | 190 | 38.00 | .07 |
| TP250XL037 | 9246-1319 | 125 | 25.00 | .05 | TP384XL037 | 9246-8328 | 192 | 38.40 | .07 |
| ² TP254XL037 | 9246-8311 | 127 | 25.40 | .05 | TP390XL037 | 9246-1331 | 195 | 39.00 | .07 |
| ² TP258XL037 | 9246-8312 | 129 | 25.80 | .05 | ² TP400XL037 | 9246-1332 | 200 | 40.00 | .07 |
| TP260XL037 | 9246-1320 | 130 | 26.00 | .05 | ² TP412XL037 | 9246-8329 | 206 | 41.20 | .08 |
| ² TP262XL037 | 9246-8313 | 131 | 26.20 | .05 | TP420XL037 | 9246-1333 | 210 | 42.00 | .08 |
| ² TP264XL037 | 9246-8314 | 132 | 26.40 | .05 | ² TP424XL037 | 9246-8330 | 212 | 42.40 | .08 |
| ² TP266XL037 | 9246-8315 | 133 | 26.60 | .05 | ² TP432XL037 | 9246-8331 | 216 | 43.20 | .08 |
| ² TP268XL037 | 9246-8316 | 134 | 26.80 | .05 | ² TP438XL037 | 9246-8332 | 219 | 43.80 | .08 |
| ² TP274XL037 | 9246-8317 | 137 | 27.40 | .05 | ² TP444XL037 | 9246-8333 | 222 | 44.40 | .09 |
| TP280XL037 | 9246-1322 | 140 | 28.00 | .05 | TP450XL037 | 9246-1334 | 225 | 45.00 | .09 |
| ² TP286XL037 | 9246-8318 | 143 | 28.60 | .05 | TP454XL037 | 9246-8334 | 227 | 45.40 | .09 |
| TP290XL037 | 9246-1323 | 145 | 29.00 | .06 | TP460XL037 | 9246-1335 | 230 | 46.00 | .09 |
| ² TP296XL037 | 9246-8319 | 148 | 29.60 | .06 | ² TP468XL037 | 9246-8335 | 234 | 46.80 | .09 |
| TP300XL037 | 9246-1324 | 150 | 30.00 | .06 | ² TP480XL037 | 9246-1336 | 240 | 48.00 | .09 |
| ² TP306XL037 | 9246-8320 | 153 | 30.60 | .06 | TP492XL037 | 9246-8336 | 246 | 49.20 | .10 |
| TP310XL037 | 9246-1325 | 155 | 31.00 | .06 | TP498XL037 | 9246-8337 | 249 | 49.80 | .10 |
| TP316XL037 | 9246-8321 | 158 | 31.60 | .06 | ² TP500XL037 | 9246-1337 | 250 | 50.00 | .10 |
| TP320XL037 | 9246-8322 | 160 | 32.00 | .06 | ² TP506XL037 | 9246-8338 | 253 | 50.60 | .10 |
| ² TP322XL037 | 9246-8323 | 161 | 32.20 | .06 | ² TP524XL037 | 9246-8339 | 262 | 52.40 | .11 |
| TP330XL037 | 9246-1326 | 165 | 33.00 | .06 | ² TP570XL037 | 9246-1338 | 285 | 57.00 | .11 |
| ² TP338XL037 | 9246-8324 | 169 | 33.80 | .06 | ² TP580XL037 | 9246-8340 | 290 | 58.00 | .12 |
| TP340XL037 | 9246-1328 | 170 | 34.00 | .06 | ² TP592XL037 | 9246-8341 | 296 | 59.20 | .12 |
| TP344XL037 | 9246-8325 | 172 | 34.40 | .06 | ² TP612XL037 | 9246-8342 | 306 | 61.20 | .12 |
| ² TP348XL037 | 9246-8326 | 174 | 34.80 | .06 | ² TP630XL037 | 9246-1339 | 315 | 63.00 | .13 |
| TP350XL037 | 9246-1327 | 175 | 35.00 | .06 | ² TP672XL037 | 9246-8343 | 336 | 67.20 | .13 |
| TP352XL037 | 9246-8346 | 176 | 35.20 | .06 | TP690XL037 | 9246-8347 | 345 | 69.00 | .14 |
| TP362XL037 | 9246-8327 | 181 | 36.20 | .06 | ² TP770XL037 | 9246-1340 | 385 | 77.00 | .15 |
| TP370XL037 | 9246-1329 | 185 | 37.00 | .07 | ² TP850XL037 | 9246-8345 | 425 | 85.00 | .17 |

3/8" Pitch (.375"/L) — 1/2" Wide

| Part No. | Product No. | Number of Teeth | Pitch Length (in) | Weight (Lbs.) | Part No. | Product No. | Number of Teeth | Pitch Length (in) | Weight (Lbs.) |
|------------------------|-------------|-----------------|-------------------|---------------|------------------------|-------------|-----------------|-------------------|---------------|
| TP150L050 | 9246-2101 | 40 | 15.00 | .06 | ² TP315L050 | 9246-2123 | 84 | 31.50 | .10 |
| ² TP154L050 | 9246-2127 | 41 | 15.38 | .06 | TP322L050 | 9246-2110 | 86 | 32.25 | .11 |
| ² TP158L050 | 9246-2128 | 42 | 15.75 | .06 | TP345L050 | 9246-2111 | 92 | 34.50 | .11 |
| ² TP165L050 | 9246-2121 | 44 | 16.50 | .06 | TP367L050 | 9246-2112 | 98 | 36.75 | .12 |
| TP173L050 | 9246-2129 | 46 | 17.25 | .06 | ² TP375L050 | 9246-7139 | 100 | 37.50 | .12 |
| ² TP176L050 | 9246-7133 | 47 | 17.63 | .06 | TP390L050 | 9246-2113 | 104 | 39.00 | .12 |
| TP187L050 | 9246-2102 | 50 | 18.75 | .06 | TP420L050 | 9246-2114 | 112 | 42.00 | .13 |
| ² TP195L050 | 9246-2122 | 52 | 19.50 | .07 | ² TP446L050 | 9246-7140 | 119 | 44.63 | .14 |
| ² TP199L050 | 9246-7134 | 53 | 19.88 | .07 | TP450L050 | 9246-2115 | 120 | 45.00 | .14 |
| TP210L050 | 9246-2103 | 56 | 21.00 | .07 | TP480L050 | 9246-2116 | 128 | 48.00 | .15 |
| TP218L050 | 9246-7136 | 58 | 21.75 | .07 | TP510L050 | 9246-2117 | 136 | 51.00 | .16 |
| TP225L050 | 9246-2104 | 60 | 22.50 | .08 | TP540L050 | 9246-2118 | 144 | 54.00 | .17 |
| TP240L050 | 9246-2105 | 64 | 24.00 | .08 | ² TP566L050 | 9246-7141 | 151 | 56.63 | .17 |
| ² TP248L050 | 9246-7137 | 66 | 24.75 | .08 | TP600L050 | 9246-2119 | 160 | 60.00 | .18 |
| TP255L050 | 9246-2106 | 68 | 25.50 | .08 | TP660L050 | 9246-2120 | 176 | 66.00 | .20 |
| ² TP263L050 | 9246-7138 | 70 | 26.25 | .09 | TP817L050 | 9246-2125 | 218 | 81.75 | .25 |
| TP270L050 | 9246-2107 | 72 | 27.00 | .09 | ² TP900L050 | 9246-2126 | 240 | 90.00 | .27 |
| TP285L050 | 9246-2108 | 76 | 28.50 | .09 | ² TP945L050 | 9246-7148 | 252 | 94.50 | .28 |
| TP300L050 | 9246-2109 | 80 | 30.00 | .10 | | | | | |

² MTO Minimum Required. Check with Customer Service for availability.

PowerGrip® Twin Power® Timing Belts

Product No. Series 9246 (continued)

3/8" Pitch (.375"/L) — 3/4" Wide

| Part No. | Product No. | Number of Teeth | Pitch Length (in) | Weight (Lbs.) |
|------------------------|-------------|-----------------|-------------------|---------------|
| TP150L075 | 9246-2201 | 40 | 15.00 | .08 |
| ² TP154L075 | 9246-2227 | 41 | 15.38 | .08 |
| ² TP158L075 | 9246-2228 | 42 | 15.75 | .08 |
| ² TP165L075 | 9246-2221 | 44 | 16.50 | .09 |
| TP173L075 | 9246-2229 | 46 | 17.25 | .09 |
| ² TP176L075 | 9246-7223 | 47 | 17.63 | .09 |
| TP187L075 | 9246-2202 | 50 | 18.75 | .10 |
| ² TP195L075 | 9246-2222 | 52 | 19.50 | .10 |
| ² TP199L075 | 9246-7234 | 53 | 19.88 | .10 |
| TP210L075 | 9246-2203 | 56 | 21.00 | .11 |
| ² TP218L075 | 9246-7236 | 58 | 21.75 | .11 |
| TP225L075 | 9246-2204 | 60 | 22.50 | .11 |
| TP240L075 | 9246-2205 | 64 | 24.00 | .12 |
| ² TP248L075 | 9246-7237 | 66 | 24.75 | .12 |
| TP255L075 | 9246-2206 | 68 | 25.50 | .13 |
| ² TP263L075 | 9246-7238 | 70 | 26.25 | .13 |
| TP270L075 | 9246-2207 | 72 | 27.00 | .13 |
| TP285L075 | 9246-2208 | 76 | 28.50 | .14 |
| TP300L075 | 9246-2209 | 80 | 30.00 | .15 |

| Part No. | Product No. | Number of Teeth | Pitch Length (in) | Weight (Lbs.) |
|------------------------|-------------|-----------------|-------------------|---------------|
| ² TP315L075 | 9246-2223 | 84 | 31.50 | .15 |
| TP322L075 | 9246-2210 | 86 | 32.25 | .16 |
| TP345L075 | 9246-2211 | 92 | 34.50 | .17 |
| TP367L075 | 9246-2212 | 98 | 36.75 | .18 |
| ² TP375L075 | 9246-7239 | 100 | 37.50 | .18 |
| TP390L075 | 9246-2213 | 104 | 39.00 | .19 |
| TP420L075 | 9246-2214 | 112 | 42.00 | .20 |
| ² TP446L075 | 9246-7240 | 119 | 44.63 | .22 |
| TP450L075 | 9246-2215 | 120 | 45.00 | .22 |
| TP480L075 | 9246-2216 | 128 | 48.00 | .23 |
| TP510L075 | 9246-2217 | 136 | 51.00 | .24 |
| TP540L075 | 9246-2218 | 144 | 54.00 | .26 |
| ² TP566L075 | 9246-7241 | 151 | 56.63 | .27 |
| TP600L075 | 9246-2219 | 160 | 60.00 | .29 |
| TP660L075 | 9246-2220 | 176 | 66.00 | .31 |
| TP817L075 | 9246-2225 | 218 | 81.75 | .39 |
| ² TP900L075 | 9246-2226 | 240 | 90.00 | .42 |
| ² TP945L075 | 9246-7248 | 252 | 94.50 | .44 |

TWIN POWER BELTS

3/8" Pitch (.375"/L) — 1" Wide

| Part No. | Product No. | Number of Teeth | Pitch Length (in) | Weight (Lbs.) |
|------------------------|-------------|-----------------|-------------------|---------------|
| TP150L100 | 9246-2301 | 40 | 15.00 | .02 |
| ² TP154L100 | 9246-2327 | 41 | 15.38 | .02 |
| ² TP158L100 | 9246-2328 | 42 | 15.75 | .04 |
| ² TP165L100 | 9246-2321 | 44 | 16.50 | .04 |
| TP173L100 | 9246-2329 | 46 | 17.25 | .06 |
| ² TP176L100 | 9246-7333 | 47 | 17.63 | .07 |
| TP187L100 | 9246-2302 | 50 | 18.75 | .08 |
| ² TP195L100 | 9246-2322 | 52 | 19.50 | .10 |
| ² TP199L100 | 9246-7334 | 53 | 19.88 | .11 |
| TP210L100 | 9246-2303 | 56 | 21.00 | .12 |
| ² TP218L100 | 9246-7336 | 58 | 21.75 | .14 |
| TP225L100 | 9246-2304 | 60 | 22.50 | .15 |
| TP240L100 | 9246-2305 | 64 | 24.00 | .16 |
| ² TP248L100 | 9246-7337 | 66 | 24.75 | .17 |
| TP255L100 | 9246-2306 | 68 | 25.50 | .18 |
| ² TP263L100 | 9246-7338 | 70 | 26.25 | .20 |
| TP270L100 | 9246-2307 | 72 | 27.00 | .21 |
| TP285L100 | 9246-2308 | 76 | 28.50 | .22 |
| TP300L100 | 9246-2309 | 80 | 30.00 | .23 |

| Part No. | Product No. | Number of Teeth | Pitch Length (in) | Weight (Lbs.) |
|------------------------|-------------|-----------------|-------------------|---------------|
| ² TP315L100 | 9246-2323 | 84 | 31.50 | .24 |
| TP322L100 | 9246-2310 | 86 | 32.25 | .25 |
| TP345L100 | 9246-2311 | 92 | 34.50 | .26 |
| TP367L100 | 9246-2312 | 98 | 36.75 | .27 |
| ² TP375L100 | 9246-7339 | 100 | 37.50 | .28 |
| TP390L100 | 9246-2313 | 104 | 39.00 | .29 |
| TP420L100 | 9246-2314 | 112 | 42.00 | .30 |
| ² TP446L100 | 9246-7340 | 119 | 44.63 | .32 |
| TP450L100 | 9246-2315 | 120 | 45.00 | .32 |
| TP480L100 | 9246-2316 | 128 | 48.00 | .34 |
| TP510L100 | 9246-2317 | 136 | 51.00 | .35 |
| TP540L100 | 9246-2318 | 144 | 54.00 | .36 |
| ² TP566L100 | 9246-7341 | 151 | 56.63 | .37 |
| TP600L100 | 9246-2319 | 160 | 60.00 | .39 |
| TP660L100 | 9246-2320 | 176 | 66.00 | .41 |
| TP817L100 | 9246-2325 | 218 | 81.75 | .44 |
| TP900L100 | 9246-2326 | 240 | 90.00 | .45 |
| ² TP945L100 | 9246-7348 | 252 | 94.50 | .47 |

1/2" Pitch (.500"/H) — 3/4" Wide

| Part No. | Product No. | Number of Teeth | Pitch Length (in) | Weight (Lbs.) |
|------------------------|-------------|-----------------|-------------------|---------------|
| ² TP210H075 | 9246-3125 | 42 | 21.00 | .15 |
| ² TP220H075 | 9246-3126 | 44 | 22.00 | .16 |
| ² TP225H075 | 9246-3145 | 45 | 22.50 | .16 |
| ² TP230H075 | 9246-3127 | 46 | 23.00 | .16 |
| TP240H075 | 9246-3100 | 48 | 24.00 | .17 |
| TP270H075 | 9246-3101 | 54 | 27.00 | .17 |
| TP300H075 | 9246-3102 | 60 | 30.00 | .18 |
| ² TP310H075 | 9246-3103 | 62 | 31.00 | .18 |
| ² TP315H075 | 9246-3147 | 63 | 31.50 | .18 |
| ² TP320H075 | 9246-3128 | 64 | 32.00 | .18 |
| TP330H075 | 9246-3124 | 66 | 33.00 | .19 |

| Part No. | Product No. | Number of Teeth | Pitch Length (in) | Weight (Lbs.) |
|------------------------|-------------|-----------------|-------------------|---------------|
| ² TP340H075 | 9246-3129 | 68 | 34.00 | .19 |
| ² TP350H075 | 9246-3130 | 70 | 35.00 | .20 |
| TP360H075 | 9246-3104 | 72 | 36.00 | .20 |
| ² TP370H075 | 9246-3131 | 74 | 37.00 | .21 |
| TP390H075 | 9246-3105 | 78 | 39.00 | .22 |
| ² TP400H075 | 9246-3132 | 80 | 40.00 | .22 |
| ² TP410H075 | 9246-3133 | 82 | 41.00 | .22 |
| ² TP415H075 | 9246-3148 | 83 | 41.50 | .22 |
| TP420H075 | 9246-3106 | 84 | 42.00 | .22 |
| ² TP445H075 | 9246-3149 | 89 | 44.50 | .23 |
| TP450H075 | 9246-3107 | 90 | 45.00 | .23 |

² MTO Minimum Required. Check with Customer Service for availability.

PowerGrip® Twin Power® Timing Belts

Product No. Series 9246 (continued)

1/2" Pitch (.500"/H) — 3/4" Wide (continued)

| Part No. | Product No. | Number of Teeth | Pitch Length (in) | Weight (Lbs.) | Part No. | Product No. | Number of Teeth | Pitch Length (in) | Weight (Lbs.) |
|------------------------|-------------|-----------------|-------------------|---------------|-------------------------|-------------|-----------------|-------------------|---------------|
| ² TP455H075 | 9246-8150 | 91 | 45.50 | .24 | ² TP780H075 | 9246-3139 | 156 | 78.00 | .36 |
| ² TP465H075 | 9246-8151 | 93 | 46.50 | .25 | TP800H075 | 9246-3117 | 160 | 80.00 | .35 |
| TP480H075 | 9246-3108 | 96 | 48.00 | .25 | ² TP820H075 | 9246-3140 | 164 | 82.00 | .37 |
| ² TP490H075 | 9246-3134 | 98 | 49.00 | .25 | ² TP840H075 | 9246-3141 | 168 | 84.00 | .38 |
| ² TP495H075 | 9246-8152 | 99 | 49.50 | .26 | TP850H075 | 9246-3118 | 170 | 85.00 | .38 |
| TP510H075 | 9246-3109 | 102 | 51.00 | .25 | TP900H075 | 9246-3119 | 180 | 90.00 | .40 |
| TP525H075 | 9246-8153 | 105 | 52.50 | .26 | ² TP960H075 | 9246-3142 | 192 | 96.00 | .42 |
| TP540H075 | 9246-3110 | 108 | 54.00 | .27 | TP1000H075 | 9246-3120 | 200 | 100.00 | .44 |
| ² TP555H075 | 9246-8154 | 111 | 55.50 | .28 | TP1100H075 | 9246-3121 | 220 | 110.00 | .48 |
| TP560H075 | 9246-3135 | 112 | 56.00 | .28 | TP1140H075 | 9246-3143 | 228 | 114.00 | .49 |
| TP570H075 | 9246-3111 | 114 | 57.00 | .28 | ² TP1180H075 | 9246-8161 | 236 | 118.00 | .50 |
| ² TP585H075 | 9246-3136 | 117 | 58.50 | .28 | TP1250H075 | 9246-3122 | 250 | 125.00 | .54 |
| TP600H075 | 9246-3112 | 120 | 60.00 | .29 | TP1400H075 | 9246-3123 | 280 | 140.00 | .58 |
| ² TP605H075 | 9246-8155 | 121 | 60.50 | .29 | ² TP1510H075 | 9246-8165 | 302 | 151.00 | .63 |
| TP630H075 | 9246-3113 | 126 | 63.00 | .30 | ² TP1550H075 | 9246-3144 | 310 | 155.00 | .64 |
| ² TP645H075 | 9246-3137 | 129 | 64.50 | .31 | TP1645H075 | 9246-8166 | 329 | 164.50 | .68 |
| ² TP655H075 | 9246-8156 | 131 | 65.50 | .31 | ² TP1680H075 | 9246-8167 | 336 | 168.00 | .69 |
| TP660H075 | 9246-3114 | 132 | 66.00 | .31 | TP1700H075 | 9246-3146 | 340 | 170.00 | .70 |
| TP700H075 | 9246-3115 | 140 | 70.00 | .33 | ² TP2090H075 | 9246-8168 | 418 | 209.00 | .83 |
| ² TP730H075 | 9246-3138 | 146 | 73.00 | .34 | ² TP2100H075 | 9246-8169 | 420 | 210.00 | .84 |
| TP750H075 | 9246-3116 | 150 | 75.00 | .35 | ² TP2120H075 | 9246-8170 | 424 | 212.00 | .85 |
| ² TP775H075 | 9246-8158 | 155 | 77.50 | .35 | ² TP2330H075 | 9246-8171 | 466 | 233.00 | .92 |

TWIN POWER BELTS

1/2" Pitch (.500"/H) — 1" Wide

| Part No. | Product No. | Number of Teeth | Pitch Length (in) | Weight (Lbs.) | Part No. | Product No. | Number of Teeth | Pitch Length (in) | Weight (Lbs.) |
|------------------------|-------------|-----------------|-------------------|---------------|-------------------------|-------------|-----------------|-------------------|---------------|
| ² TP210H100 | 9246-3225 | 42 | 21.00 | .15 | ² TP585H100 | 9246-3236 | 117 | 58.50 | .41 |
| ² TP220H100 | 9246-3226 | 44 | 22.00 | .16 | TP600H100 | 9246-3212 | 120 | 60.00 | .41 |
| ² TP225H100 | 9246-3245 | 45 | 22.50 | .16 | ² TP605H100 | 9246-8255 | 121 | 60.50 | .42 |
| ² TP230H100 | 9246-3227 | 46 | 23.00 | .17 | TP630H100 | 9246-3213 | 126 | 63.00 | .45 |
| TP240H100 | 9246-3200 | 48 | 24.00 | .17 | TP645H100 | 9246-3237 | 129 | 64.50 | .45 |
| TP270H100 | 9246-3201 | 54 | 27.00 | .18 | ² TP655H100 | 9246-8256 | 131 | 65.50 | .46 |
| TP300H100 | 9246-3202 | 60 | 30.00 | .20 | TP660H100 | 9246-3214 | 132 | 66.00 | .46 |
| ² TP315H100 | 9246-3247 | 63 | 31.50 | .23 | TP700H100 | 9246-3215 | 140 | 70.00 | .47 |
| ² TP320H100 | 9246-3228 | 64 | 32.00 | .22 | TP730H100 | 9246-3238 | 146 | 73.00 | .50 |
| TP330H100 | 9246-3224 | 66 | 33.00 | .23 | TP750H100 | 9246-3216 | 150 | 75.00 | .52 |
| ² TP340H100 | 9246-3229 | 68 | 34.00 | .24 | ² TP775H100 | 9246-8258 | 155 | 77.50 | .53 |
| ² TP350H100 | 9246-3230 | 70 | 35.00 | .25 | TP780H100 | 9246-3239 | 156 | 78.00 | .54 |
| TP360H100 | 9246-3204 | 72 | 36.00 | .25 | TP800H100 | 9246-3217 | 160 | 80.00 | .55 |
| ² TP370H100 | 9246-3231 | 74 | 37.00 | .26 | TP820H100 | 9246-3240 | 164 | 82.00 | .56 |
| TP390H100 | 9246-3205 | 78 | 39.00 | .27 | ² TP840H100 | 9246-3241 | 168 | 84.00 | .58 |
| TP400H100 | 9246-3232 | 80 | 40.00 | .28 | TP850H100 | 9246-3218 | 170 | 85.00 | .58 |
| ² TP410H100 | 9246-3233 | 82 | 41.00 | .28 | TP900H100 | 9246-3219 | 180 | 90.00 | .62 |
| ² TP415H100 | 9246-3248 | 83 | 41.50 | .29 | ² TP960H100 | 9246-3242 | 192 | 96.00 | .66 |
| TP420H100 | 9246-3206 | 84 | 42.00 | .30 | TP1000H100 | 9246-3220 | 200 | 100.00 | .68 |
| TP445H100 | 9246-3249 | 89 | 44.50 | .32 | TP1100H100 | 9246-3221 | 220 | 110.00 | .75 |
| TP450H100 | 9246-3207 | 90 | 45.00 | .32 | TP1140H100 | 9246-3243 | 228 | 114.00 | .77 |
| ² TP455H100 | 9246-8250 | 91 | 45.50 | .32 | TP1180H100 | 9246-8261 | 236 | 118.00 | .80 |
| ² TP465H100 | 9246-8251 | 93 | 46.50 | .32 | TP1250H100 | 9246-3222 | 250 | 125.00 | .85 |
| TP480H100 | 9246-3208 | 96 | 48.00 | .33 | TP1400H100 | 9246-3223 | 280 | 140.00 | .95 |
| TP490H100 | 9246-3234 | 98 | 49.00 | .34 | ² TP1510H100 | 9246-8265 | 302 | 151.00 | 1.03 |
| ² TP495H100 | 9246-8252 | 99 | 49.50 | .34 | ² TP1550H100 | 9246-3244 | 310 | 155.00 | 1.05 |
| TP510H100 | 9246-3209 | 102 | 51.00 | .36 | TP1645H100 | 9246-8266 | 329 | 164.50 | 1.12 |
| ² TP525H100 | 9246-8253 | 105 | 52.50 | .36 | ² TP1680H100 | 9246-8267 | 336 | 168.00 | 1.15 |
| TP540H100 | 9246-3210 | 108 | 54.00 | .37 | TP1700H100 | 9246-3246 | 340 | 170.00 | 1.16 |
| TP555H100 | 9246-8254 | 111 | 55.50 | .38 | ² TP2090H100 | 9246-8268 | 418 | 209.00 | 1.40 |
| TP560H100 | 9246-3235 | 112 | 56.00 | .38 | ² TP2100H100 | 9246-8269 | 420 | 210.00 | 1.42 |
| TP570H100 | 9246-3211 | 114 | 57.00 | .39 | ² TP2120H100 | 9246-8270 | 424 | 212.00 | 1.45 |

² MTO Minimum Required. Check with Customer Service for availability.

PowerGrip® Twin Power® Timing Belts

Product No. Series 9246 (continued)

1/2" Pitch (.500"/H) — 1" Wide (continued)

| Part No. | Product No. | Number of Teeth | Pitch Length (in) | Weight (Lbs.) |
|-------------------------|-------------|-----------------|-------------------|---------------|
| ² TP2330H100 | 9246-8271 | 466 | 233.00 | 1.60 |

1/2" Pitch (.500"/H) — 1 1/2" Wide

| Part No. | Product No. | Number of Teeth | Pitch Length (in) | Weight (Lbs.) | Part No. | Product No. | Number of Teeth | Pitch Length (in) | Weight (Lbs.) |
|------------------------|-------------|-----------------|-------------------|---------------|-------------------------|-------------|-----------------|-------------------|---------------|
| ² TP210H150 | 9246-3325 | 42 | 21.00 | .33 | ² TP585H150 | 9246-3336 | 117 | 58.50 | .68 |
| ² TP220H150 | 9246-3326 | 44 | 22.00 | .35 | TP600H150 | 9246-3312 | 120 | 60.00 | .74 |
| ² TP225H150 | 9246-3345 | 45 | 22.50 | .36 | ² TP605H150 | 9246-8355 | 121 | 60.50 | .71 |
| ² TP230H150 | 9246-3327 | 46 | 23.00 | .37 | TP630H150 | 9246-3313 | 126 | 63.00 | .73 |
| TP240H150 | 9246-3300 | 48 | 24.00 | .38 | ² TP645H150 | 9246-3337 | 129 | 64.50 | .74 |
| TP270H150 | 9246-3301 | 54 | 27.00 | .40 | ² TP655H150 | 9246-8356 | 131 | 65.50 | .74 |
| TP300H150 | 9246-3302 | 60 | 30.00 | .42 | TP660H150 | 9246-3314 | 132 | 66.00 | .76 |
| ² TP310H150 | 9246-3303 | 62 | 31.00 | .43 | TP700H150 | 9246-3315 | 140 | 70.00 | .80 |
| ² TP315H150 | 9246-3347 | 63 | 31.50 | .43 | ² TP730H150 | 9246-3338 | 146 | 73.00 | .83 |
| ² TP320H150 | 9246-3328 | 64 | 32.00 | .44 | TP750H150 | 9246-3316 | 150 | 75.00 | .84 |
| TP330H150 | 9246-3324 | 66 | 33.00 | .45 | ² TP775H150 | 9246-8358 | 155 | 77.50 | .86 |
| ² TP340H150 | 9246-3329 | 68 | 34.00 | .46 | ² TP780H150 | 9246-3339 | 156 | 78.00 | .86 |
| ² TP350H150 | 9246-3330 | 70 | 35.00 | .46 | TP800H150 | 9246-3317 | 160 | 80.00 | .89 |
| TP360H150 | 9246-3304 | 72 | 36.00 | .47 | ² TP820H150 | 9246-3340 | 164 | 82.00 | .90 |
| ² TP370H150 | 9246-3331 | 74 | 37.00 | .47 | ² TP840H150 | 9246-3341 | 168 | 84.00 | .95 |
| TP390H150 | 9246-3305 | 78 | 39.00 | .50 | TP850H150 | 9246-3318 | 170 | 85.00 | .95 |
| ² TP400H150 | 9246-3332 | 80 | 40.00 | .51 | TP900H150 | 9246-3319 | 180 | 90.00 | .97 |
| ² TP410H150 | 9246-3333 | 82 | 41.00 | .53 | ² TP960H150 | 9246-3342 | 192 | 96.00 | 1.04 |
| ² TP415H150 | 9246-3348 | 83 | 41.50 | .53 | TP1000H150 | 9246-3320 | 200 | 100.00 | 1.08 |
| TP420H150 | 9246-3306 | 84 | 42.00 | .54 | TP1100H150 | 9246-3321 | 220 | 110.00 | 1.14 |
| ² TP445H150 | 9246-3349 | 89 | 44.50 | .55 | TP1140H150 | 9246-3343 | 228 | 114.00 | 1.20 |
| TP450H150 | 9246-3307 | 90 | 45.00 | .56 | ² TP1180H150 | 9246-8361 | 236 | 118.00 | 1.25 |
| ² TP455H150 | 9246-8350 | 91 | 45.50 | .56 | TP1250H150 | 9246-3322 | 250 | 125.00 | 1.30 |
| ² TP465H150 | 9246-8351 | 93 | 46.50 | .56 | TP1400H150 | 9246-3323 | 280 | 140.00 | 1.45 |
| TP480H150 | 9246-3308 | 96 | 48.00 | .58 | ² TP1510H150 | 9246-8365 | 302 | 151.00 | 1.53 |
| ² TP490H150 | 9246-3334 | 98 | 49.00 | .61 | ² TP1550H150 | 9246-3344 | 310 | 155.00 | 1.58 |
| ² TP495H150 | 9246-8352 | 99 | 49.50 | .60 | TP1645H150 | 9246-8366 | 329 | 164.50 | 1.68 |
| TP510H150 | 9246-3309 | 102 | 51.00 | .62 | ² TP1680H150 | 9246-8367 | 336 | 168.00 | 1.70 |
| ² TP525H150 | 9246-8353 | 105 | 52.50 | .63 | TP1700H150 | 9246-3346 | 340 | 170.00 | 1.72 |
| TP540H150 | 9246-3310 | 108 | 54.00 | .65 | ² TP2090H150 | 9246-8368 | 418 | 209.00 | 1.55 |
| ² TP555H150 | 9246-8354 | 111 | 55.50 | .66 | ² TP2100H150 | 9246-8369 | 420 | 210.00 | 2.10 |
| TP560H150 | 9246-3335 | 112 | 56.00 | .66 | ² TP2120H150 | 9246-8370 | 424 | 212.00 | 2.12 |
| TP570H150 | 9246-3311 | 114 | 57.00 | .68 | TP2330H150 | 9246-8371 | 466 | 233.00 | 2.30 |

1/2" Pitch (.500"/H) — 2" Wide

| Part No. | Product No. | Number of Teeth | Pitch Length (in) | Weight (Lbs.) | Part No. | Product No. | Number of Teeth | Pitch Length (in) | Weight (Lbs.) |
|------------------------|-------------|-----------------|-------------------|---------------|------------------------|-------------|-----------------|-------------------|---------------|
| ² TP210H200 | 9246-3425 | 42 | 21.00 | .43 | TP390H200 | 9246-3405 | 78 | 39.00 | .79 |
| ² TP220H200 | 9246-3426 | 44 | 22.00 | .45 | ² TP400H200 | 9246-3432 | 80 | 40.00 | .80 |
| ² TP225H200 | 9246-3445 | 45 | 22.50 | .46 | ² TP410H200 | 9246-3433 | 82 | 41.00 | .83 |
| ² TP230H200 | 9246-3427 | 46 | 23.00 | .47 | ² TP415H200 | 9246-3448 | 83 | 41.50 | .84 |
| TP240H200 | 9246-3400 | 48 | 24.00 | .49 | TP420H200 | 9246-3406 | 84 | 42.00 | .85 |
| TP270H200 | 9246-3401 | 54 | 27.00 | .57 | ² TP445H200 | 9246-3449 | 89 | 44.50 | .90 |
| TP300H200 | 9246-3402 | 60 | 30.00 | .61 | TP450H200 | 9246-3407 | 90 | 45.00 | .91 |
| ² TP310H200 | 9246-3403 | 62 | 31.00 | .63 | ² TP455H200 | 9246-8450 | 91 | 45.50 | .92 |
| ² TP315H200 | 9246-3447 | 63 | 31.50 | .64 | ² TP465H200 | 9246-8451 | 93 | 46.50 | .94 |
| ² TP320H200 | 9246-3428 | 64 | 32.00 | .66 | TP480H200 | 9246-3408 | 96 | 48.00 | .98 |
| TP330H200 | 9246-3424 | 66 | 33.00 | .68 | ² TP490H200 | 9246-3434 | 98 | 49.00 | .99 |
| ² TP340H200 | 9246-3429 | 68 | 34.00 | .69 | ² TP495H200 | 9246-8452 | 99 | 49.50 | 1.00 |
| ² TP350H200 | 9246-3430 | 70 | 35.00 | .70 | TP510H200 | 9246-3409 | 102 | 51.00 | 1.00 |
| TP360H200 | 9246-3404 | 72 | 36.00 | .72 | ² TP525H200 | 9246-8453 | 105 | 52.50 | 1.06 |
| ² TP370H200 | 9246-3431 | 74 | 37.00 | .75 | TP540H200 | 9246-3410 | 108 | 54.00 | 1.09 |

² MTO Minimum Required. Check with Customer Service for availability.

PowerGrip® Twin Power® Timing Belts

Product No. Series 9246 (continued)

1/2" Pitch (.500"/H) — 2" Wide (continued)

| Part No. | Product No. | Number of Teeth | Pitch Length (in) | Weight (Lbs.) | Part No. | Product No. | Number of Teeth | Pitch Length (in) | Weight (Lbs.) |
|------------------------|-------------|-----------------|-------------------|---------------|-------------------------|-------------|-----------------|-------------------|---------------|
| ² TP555H200 | 9246-8454 | 111 | 55.50 | 1.12 | TP850H200 | 9246-3418 | 170 | 85.00 | 1.72 |
| TP560H200 | 9246-3435 | 112 | 56.00 | 1.13 | TP900H200 | 9246-3419 | 180 | 90.00 | 1.82 |
| TP570H200 | 9246-3411 | 114 | 57.00 | 1.16 | ² TP960H200 | 9246-3442 | 192 | 96.00 | 1.94 |
| ² TP585H200 | 9246-3436 | 117 | 58.50 | 1.18 | TP1000H200 | 9246-3420 | 200 | 100.00 | 2.00 |
| TP600H200 | 9246-3412 | 120 | 60.00 | 1.21 | TP1100H200 | 9246-3421 | 220 | 110.00 | 2.20 |
| ² TP605H200 | 9246-8455 | 121 | 60.50 | 1.22 | TP1140H200 | 9246-3443 | 228 | 114.00 | 2.30 |
| TP630H200 | 9246-3413 | 126 | 63.00 | 1.27 | ² TP1180H200 | 9246-8461 | 236 | 118.00 | 2.38 |
| ² TP645H200 | 9246-3437 | 129 | 64.50 | 1.29 | TP1250H200 | 9246-3422 | 250 | 125.00 | 2.52 |
| ² TP655H200 | 9246-8456 | 131 | 65.50 | 1.32 | TP1400H200 | 9246-3423 | 280 | 140.00 | 2.82 |
| TP660H200 | 9246-3414 | 132 | 66.00 | 1.33 | ² TP1510H200 | 9246-8465 | 302 | 151.00 | 3.04 |
| TP700H200 | 9246-3415 | 140 | 70.00 | 1.40 | TP1550H200 | 9246-3444 | 310 | 155.00 | 3.12 |
| TP730H200 | 9246-3438 | 146 | 73.00 | 1.47 | TP1645H200 | 9246-8466 | 329 | 164.50 | 3.31 |
| TP750H200 | 9246-3416 | 150 | 75.00 | 1.52 | ² TP1680H200 | 9246-8467 | 336 | 168.00 | 3.38 |
| ² TP775H200 | 9246-8458 | 155 | 77.50 | 1.56 | TP1700H200 | 9246-3446 | 340 | 170.00 | 3.42 |
| ² TP780H200 | 9246-3439 | 156 | 78.00 | 1.57 | ² TP2090H200 | 9246-8468 | 418 | 209.00 | 4.20 |
| TP800H200 | 9246-3417 | 160 | 80.00 | 1.62 | ² TP2100H200 | 9246-8469 | 420 | 210.00 | 4.22 |
| ² TP820H200 | 9246-3440 | 164 | 82.00 | 1.65 | ² TP2120H200 | 9246-8470 | 424 | 212.00 | 4.26 |
| ² TP840H200 | 9246-3441 | 168 | 84.00 | 1.69 | ² TP2330H200 | 9246-8471 | 466 | 233.00 | 4.68 |

TWIN POWER BELTS

1/2" Pitch (.500"/H) — 3" Wide

| Part No. | Product No. | Number of Teeth | Pitch Length (in) | Weight (Lbs.) | Part No. | Product No. | Number of Teeth | Pitch Length (in) | Weight (Lbs.) |
|------------------------|-------------|-----------------|-------------------|---------------|-------------------------|-------------|-----------------|-------------------|---------------|
| ² TP210H300 | 9246-3525 | 42 | 21.00 | .66 | ² TP585H300 | 9246-3536 | 117 | 58.50 | 1.77 |
| ² TP220H300 | 9246-3526 | 44 | 22.00 | .69 | TP600H300 | 9246-3512 | 120 | 60.00 | 1.80 |
| ² TP225H300 | 9246-3545 | 45 | 22.50 | .71 | ² TP605H300 | 9246-8555 | 121 | 60.50 | 1.84 |
| ² TP230H300 | 9246-3527 | 46 | 23.00 | .73 | TP630H300 | 9246-3513 | 126 | 63.00 | 1.91 |
| TP240H300 | 9246-3500 | 48 | 24.00 | .75 | ² TP645H300 | 9246-3537 | 129 | 64.50 | 1.95 |
| TP270H300 | 9246-3501 | 54 | 27.00 | .82 | ² TP655H300 | 9246-8556 | 131 | 65.50 | 1.97 |
| TP300H300 | 9246-3502 | 60 | 30.00 | .91 | TP660H300 | 9246-3514 | 132 | 66.00 | 2.00 |
| ² TP310H300 | 9246-3503 | 62 | 31.00 | .94 | TP700H300 | 9246-3515 | 140 | 70.00 | 2.13 |
| ² TP315H300 | 9246-3547 | 63 | 31.50 | .95 | TP730H300 | 9246-3538 | 146 | 73.00 | 2.23 |
| ² TP320H300 | 9246-3528 | 64 | 32.00 | .96 | TP750H300 | 9246-3516 | 150 | 75.00 | 2.30 |
| TP330H300 | 9246-3524 | 66 | 33.00 | .98 | ² TP775H300 | 9246-8558 | 155 | 77.50 | 2.36 |
| ² TP340H300 | 9246-3529 | 68 | 34.00 | 1.01 | ² TP780H300 | 9246-3539 | 156 | 78.00 | 2.38 |
| ² TP350H300 | 9246-3530 | 70 | 35.00 | 1.04 | TP800H300 | 9246-3517 | 160 | 80.00 | 2.43 |
| TP360H300 | 9246-3504 | 72 | 36.00 | 1.09 | ² TP820H300 | 9246-3540 | 164 | 82.00 | 2.49 |
| ² TP370H300 | 9246-3531 | 74 | 37.00 | 1.14 | TP840H300 | 9246-3541 | 168 | 84.00 | 2.54 |
| TP390H300 | 9246-3505 | 78 | 39.00 | 1.18 | TP850H300 | 9246-3518 | 170 | 85.00 | 2.59 |
| ² TP400H300 | 9246-3532 | 80 | 40.00 | 1.23 | TP900H300 | 9246-3519 | 180 | 90.00 | 2.73 |
| ² TP410H300 | 9246-3533 | 82 | 41.00 | 1.25 | TP960H300 | 9246-3542 | 192 | 96.00 | 2.94 |
| ² TP415H300 | 9246-3548 | 83 | 41.50 | 1.26 | TP1000H300 | 9246-3520 | 200 | 100.00 | 3.06 |
| TP420H300 | 9246-3506 | 84 | 42.00 | 1.27 | TP1100H300 | 9246-3521 | 220 | 110.00 | 3.34 |
| ² TP445H300 | 9246-3549 | 89 | 44.50 | 1.36 | TP1140H300 | 9246-3543 | 228 | 114.00 | 3.45 |
| TP450H300 | 9246-3507 | 90 | 45.00 | 1.37 | ² TP1180H300 | 9246-8561 | 236 | 118.00 | 3.63 |
| ² TP455H300 | 9246-8550 | 91 | 45.50 | 1.39 | TP1250H300 | 9246-3522 | 250 | 125.00 | 3.80 |
| ² TP465H300 | 9246-8551 | 93 | 46.50 | 1.42 | TP1400H300 | 9246-3523 | 280 | 140.00 | 4.26 |
| TP480H300 | 9246-3508 | 96 | 48.00 | 1.46 | ² TP1510H300 | 9246-8565 | 302 | 151.00 | 4.59 |
| ² TP490H300 | 9246-3534 | 98 | 49.00 | 1.48 | ² TP1550H300 | 9246-3544 | 310 | 155.00 | 4.71 |
| ² TP495H300 | 9246-8552 | 99 | 49.50 | 1.49 | TP1645H300 | 9246-8566 | 329 | 164.50 | 5.00 |
| TP510H300 | 9246-3509 | 102 | 51.00 | 1.55 | ² TP1680H300 | 9246-8567 | 336 | 168.00 | 5.11 |
| ² TP525H300 | 9246-8553 | 105 | 52.50 | 1.60 | TP1700H300 | 9246-3546 | 340 | 170.00 | 5.16 |
| TP540H300 | 9246-3510 | 108 | 54.00 | 1.64 | TP2090H300 | 9246-8568 | 418 | 209.00 | 6.34 |
| ² TP555H300 | 9246-8554 | 111 | 55.50 | 1.68 | ² TP2100H300 | 9246-8569 | 420 | 210.00 | 6.37 |
| TP560H300 | 9246-3535 | 112 | 56.00 | 1.70 | ² TP2120H300 | 9246-8570 | 424 | 212.00 | 6.46 |
| TP570H300 | 9246-3511 | 114 | 57.00 | 1.73 | ² TP2330H300 | 9246-8571 | 466 | 233.00 | 7.07 |

² MTO Minimum Required. Check with Customer Service for availability.

Long-Length Poly Chain® GT® Carbon™ Belting

An innovative construction combined with the Gates tooth profile makes Poly Chain GT Carbon Gates most powerful synchronous belt. Compact and lightweight, Poly Chain GT Carbon belt drives deliver more power in less space.

Markets/Applications

Long length Poly Chain GT Carbon belting is a cost effective, low maintenance drive alternative that is well suited for linear movement, positioning and conveying applications.

Features/Advantages

- Gates **patented curvilinear tooth profile** provides excellent positioning characteristics, noise reduction, high shear strength, and improved load carrying capacity.
- Robust **carbon tensile cord** combines minimal stretch with extraordinary strength and load carrying capacity, while absorbing shock and surge loads.
- Durable **polyurethane construction** resists chemicals, oil, pollutants, and abrasion.
- **Nylon tooth facing** reduces friction and eliminates the need for lubrication.
- Eliminates lubrication and re-tensioning reduce maintenance and labor as compared to roller chain drives.
- Fully operational in temperature extremes of -65°F to +185°F (-54°C to +85°C).

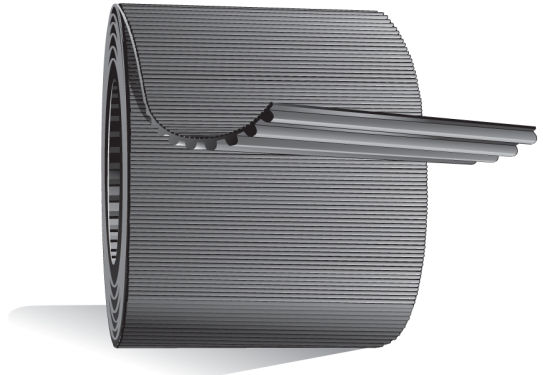
Recommended Sprockets

Poly Chain® GT®2 Sprockets

Notes

Minimum order length for Poly Chain GT Carbon belting is 50 feet, ordered in 50 foot increments thereafter. Continuous lengths, if needed, must be specified when ordering, and must be ordered in increments of the minimum order quantity. Continuous lengths may require lead times.

Poly Chain GT Carbon belting can be used on existing drives as replacement for Poly Chain® GT® belting. Minimum order quantities may vary for non-standard widths. Check with Customer Service.



Product No. Series 9302

8mm Pitch

| Part No. | Product No. | Width (mm) | Weight (Lbs.) | Min. Order Qty. | Max. Cont. Length |
|------------|-------------|------------|---------------|-----------------|-------------------|
| LL8MGT-012 | 9302-1000 | 12 | .04 | 50 ft. | 900 ft. |
| LL8MGT-021 | 9302-1100 | 21 | .07 | 50 ft. | 504 ft. |
| LL8MGT-036 | 9302-1200 | 36 | .11 | 50 ft. | 298 ft. |

14mm Pitch

| Part No. | Product No. | Width (mm) | Weight (Lbs.) | Min. Order Qty. | Max. Cont. Length |
|-------------|-------------|------------|---------------|-----------------|-------------------|
| LL14MGT-020 | 9302-1300 | 20 | .11 | 50 ft. | 522 ft. |
| LL14MGT-037 | 9302-1400 | 37 | .19 | 50 ft. | 298 ft. |

Long-Length PowerGrip® GT®2 Belting

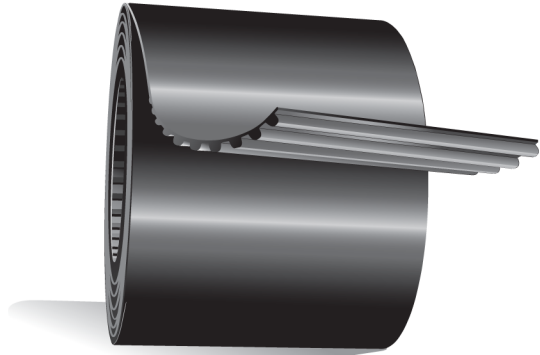
Long length PowerGrip GT2 belting is a cost effective, low maintenance drive alternative.

Markets/Applications

Well suited for linear movement, positioning and conveying applications.

Features/Advantages

- **Fiberglass tensile cord** provides high strength, excellent flex life, and high resistance to elongation. Steel tensile cord is available in some belt types for added length stability.
- **Neoprene body** provides protection against grime, grease, oil, and moisture.
- **Nylon tooth facing** provides a durable wear surface for long service life.
- The PowerGrip GT2 **belt tooth** is designed for use with a specific sprocket groove profile. The sprocket groove-belt tooth combination increases capacity, while improving registration.
- PowerGrip GT2 has more tooth ratchet resistance than HTD®.
- Eliminates lubrication and re-tensioning reduce maintenance and labor as compared to roller chain drives.
- PowerGrip GT2 belt/sprocket combinations match or exceed the positional accuracy of PowerGrip® Timing belt/pulley systems.
- Fully operational in temperature extremes of -35°F to +180°F (-34°C to +82°C).



Recommended Sprockets

PowerGrip® GT®2 Sprockets

Notes

Minimum order lengths for belting is 50 feet, ordered in 50 foot increments thereafter. Continuous lengths, if needed, must be specified when ordering, and must be ordered in increments of the minimum order quantity (unless ordering the maximum continuous lengths). Minimum order quantities may vary for non-standard widths. Continuous lengths may require lead times. Check with Customer Service.

LONG-LENGTH BELTING

Product No. Series 9396

2mm Pitch

| Part No. | Product No. | Width (mm) | Weight (Lbs.) | Min. Order Qty. | Max. Cont. Length |
|----------|-------------|------------|---------------|-----------------|-------------------|
| LL2MR04 | 9396-0033 | 4 | .01 | 50 ft. | 300 ft. |
| LL2MR06 | 9396-0009 | 6 | .01 | 50 ft. | 300 ft. |
| LL2MR09 | 9396-0052 | 9 | .02 | 50 ft. | 300 ft. |

8mm Pitch

| Part No. | Product No. | Width (mm) | Weight (Lbs.) | Min. Order Qty. | Max. Cont. Length |
|----------|-------------|------------|---------------|-----------------|-------------------|
| LL8MR20 | 9396-0029 | 20 | .08 | 50 ft. | 590 ft. |
| LL8MR30 | 9396-0030 | 30 | .13 | 50 ft. | 590 ft. |
| LL8MR50 | 9396-0031 | 50 | .21 | 50 ft. | 590 ft. |
| LL8MR85 | 9396-0032 | 85 | .36 | 50 ft. | 590 ft. |

3mm Pitch

| Part No. | Product No. | Width (mm) | Weight (Lbs.) | Min. Order Qty. | Max. Cont. Length |
|----------|-------------|------------|---------------|-----------------|-------------------|
| LL3MR06 | 9396-0002 | 6 | .02 | 50 ft. | 600 ft. |
| LL3MR09 | 9396-0012 | 9 | .03 | 50 ft. | 385 ft. |
| LL3MR15 | 9396-0021 | 15 | .04 | 50 ft. | 240 ft. |

Steel Tensile - 5mm Pitch

| Part No. | Product No. | Width (mm) | Weight (Lbs.) | Min. Order Qty. | Max. Cont. Length |
|------------|-------------|------------|---------------|-----------------|-------------------|
| LL5MR15 ST | 9396-10043 | 15 | .18 | 50 ft. | 392 ft. |
| LL5MR25 ST | 9396-40417 | 25 | .23 | 50 ft. | 392 ft. |

5mm Pitch

| Part No. | Product No. | Width (mm) | Weight (Lbs.) | Min. Order Qty. | Max. Cont. Length |
|----------|-------------|------------|---------------|-----------------|-------------------|
| LL5MR09 | 9396-0020 | 9 | .03 | 50 ft. | 360 ft. |
| LL5MR15 | 9396-0025 | 15 | .04 | 50 ft. | 230 ft. |

Steel Tensile - 8mm Pitch

| Part No. | Product No. | Width (mm) | Weight (Lbs.) | Min. Order Qty. | Max. Cont. Length |
|------------|-------------|------------|---------------|-----------------|-------------------|
| LL8MR20 ST | 9396-10049 | 20 | .29 | 50 ft. | 392 ft. |
| LL8MR30 ST | 9396-10050 | 30 | .37 | 50 ft. | 392 ft. |
| LL8MR50 ST | 9396-40433 | 50 | .53 | 50 ft. | 392 ft. |

Long-Length PowerGrip® HTD® Belting

PowerGrip HTD belts have a larger, more robust tooth profile for increased capacity, as compared to timing belts.

Markets/Applications

Long length PowerGrip HTD belting is a cost effective, low maintenance drive alternative that is well suited for linear movement, positing and conveying applications.

Features/Advantages

- **Fiberglass tensile cord** provides high strength, excellent flex life, and high resistance to elongation. Steel tensile cord is available in some belt types for added length stability.
- **Neoprene body** provides protection against grime, grease, oil, and moisture.
- **Nylon tooth facing** provides a durable wear surface for long service life.
- Eliminates lubrication and re-tensioning to reduce maintenance and labor required on drives.

Recommended Sprockets
PowerGrip® HTD® Sprockets

Notes

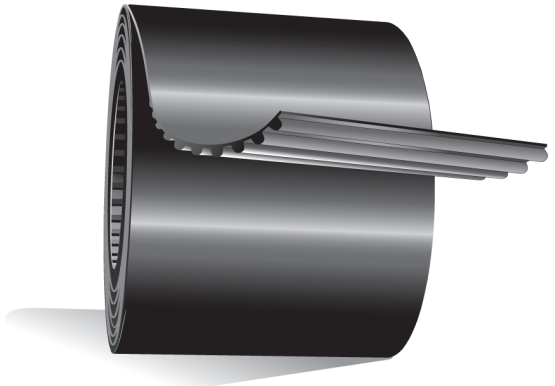
Minimum order lengths for fiberglass tensile cord belting is 50 feet, ordered in 50 foot increments thereafter.

Minimum order lengths for steel tensile belting is 98 feet, ordered in 98 foot increments thereafter.

Continuous lengths, if needed, must be specified when ordering, and must be ordered in increments of the minimum order quantity (unless ordering the maximum continuous lengths).

Continuous lengths may require lead times.

Minimum order quantities may vary for non-standard widths. Check with Customer Service.



LONG-LENGTH BELTING

Product No. Series 9308

3mm Pitch

| Part No. | Product No. | Width (mm) | Weight (Lbs.) | Min. Order Qty. | Max. Cont. Length |
|----------|-------------|------------|---------------|-----------------|-------------------|
| LL3M06 | 9308-0044 | 6 | .01 | 50 ft. | 300 ft. |
| LL3M09 | 9308-0003 | 9 | .01 | 50 ft. | 300 ft. |
| LL3M15 | 9308-0084 | 15 | .01 | 50 ft. | 185 ft. |

14mm Pitch

| Part No. | Product No. | Width (mm) | Weight (Lbs.) | Min. Order Qty. | Max. Cont. Length |
|----------|-------------|------------|---------------|-----------------|-------------------|
| LL14M40 | 9308-10009 | 40 | .26 | 98 ft. | 392 ft. |
| LL14M55 | 9308-10020 | 55 | .35 | 98 ft. | 392 ft. |
| LL14M85 | 9308-10057 | 85 | .55 | 98 ft. | 392 ft. |

5mm Pitch

| Part No. | Product No. | Width (mm) | Weight (Lbs.) | Min. Order Qty. | Max. Cont. Length |
|----------|-------------|------------|---------------|-----------------|-------------------|
| LL5M09 | 9308-0045 | 9 | .01 | 50 ft. | 300 ft. |
| LL5M15 | 9308-0033 | 15 | .04 | 50 ft. | 185 ft. |
| LL5M25 | 9308-0025 | 25 | .05 | 50 ft. | 100 ft. |

Steel Tensile - 14mm Pitch

| Part No. | Product No. | Width (mm) | Weight (Lbs.) | Min. Order Qty. | Max. Cont. Length |
|------------|-------------|------------|---------------|-----------------|-------------------|
| LL14M40 ST | 9308-10016 | 40 | .76 | 50 ft. | 392 ft. |
| LL14M55 ST | 9308-10051 | 55 | 1.02 | 98 ft. | 392 ft. |
| LL14M85 ST | 9308-10084 | 85 | 1.51 | 50 ft. | 392 ft. |

8mm Pitch

| Part No. | Product No. | Width (mm) | Weight (Lbs.) | Min. Order Qty. | Max. Cont. Length |
|----------------------|-------------|------------|---------------|-----------------|-------------------|
| ¹⁷ LL8M20 | 9308-0001 | 20 | .08 | 50 ft. | 170 ft. |
| ¹⁷ LL8M30 | 9308-0004 | 30 | .13 | 50 ft. | 300 ft. |
| ¹⁷ LL8M50 | 9308-0005 | 50 | .21 | 50 ft. | 300 ft. |
| ¹⁷ LL8M85 | 9308-0006 | 85 | .36 | 50 ft. | 300 ft. |

¹⁷ Longer continuous lengths may be available by special order, contact Customer Service.

Long-Length PowerGrip® Timing Belting

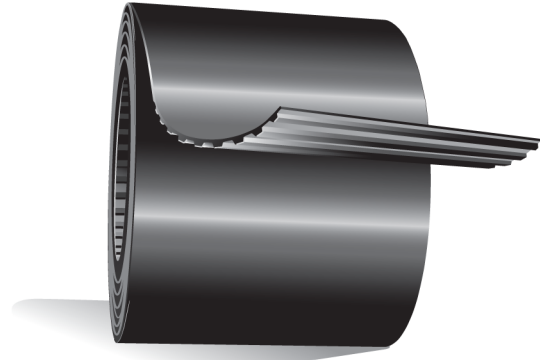
The trapezoidal tooth makes this belt well suited for use in positioning applications.

Markets/Applications

Long length PowerGrip Timing belting is a cost effective, low maintenance drive alternative that is well suited for linear movement, positioning and conveying applications.

Features/Advantages

- **Fiberglass tensile cord** provides high strength, excellent flex life, and high resistance to elongation. Steel tensile cord is available in some belt types for added length stability.
- **Neoprene body** provides protection against grime, grease, oil, and moisture.
- **Nylon tooth facing** provides a durable wear surface for long service life.
- **Eliminates lubrication and re-tensioning** to reduce maintenance and labor required on drives.



Notes

Minimum order lengths for fiberglass tensile cord belting is 50 feet, ordered in 50 foot increments thereafter.

Minimum order lengths for steel tensile belting is 98 feet, ordered in 98 foot increments thereafter.

Continuous lengths, if needed, must be specified when ordering, and must be ordered in increments of the minimum order quantity (unless ordering the maximum continuous lengths).

Continuous lengths may require lead times.

Minimum order quantities may vary for non-standard widths. Check with Customer Service.

LONG-LENGTH BELTING

Product No. Series 9314

MXL (.080" Pitch)

| Part No. | Product No. | Width (in) | Weight (Lbs.) | Min. Order Qty. | Max. Cont. Length |
|----------|-------------|------------|---------------|-----------------|-------------------|
| LL025MXL | 9314-2020 | 1/4 | .01 | 50 ft. | 475 ft. |
| LL037MXL | 9314-2014 | 3/8 | .01 | 50 ft. | 300 ft. |
| LL050MXL | 9314-2038 | 1/2 | .02 | 50 ft. | 240 ft. |

XL (.200" Pitch)

| Part No. | Product No. | Width (in) | Weight (Lbs.) | Min. Order Qty. | Max. Cont. Length |
|----------|-------------|------------|---------------|-----------------|-------------------|
| LL025XL | 9314-0001 | 1/4 | .01 | 50 ft. | 460 ft. |
| LL037XL | 9314-0002 | 3/8 | .02 | 50 ft. | 300 ft. |
| LL050XL | 9314-2012 | 1/2 | .03 | 50 ft. | 225 ft. |

L (.375" Pitch)

| Part No. | Product No. | Width (in) | Weight (Lbs.) | Min. Order Qty. | Max. Cont. Length |
|----------|-------------|------------|---------------|-----------------|-------------------|
| LL037L | 9314-2089 | 3/8 | .03 | 50 ft. | 575 ft. |
| LL050L | 9314-0004 | 1/2 | .02 | 50 ft. | 430 ft. |
| LL075L | 9314-0007 | 3/4 | .04 | 50 ft. | 275 ft. |
| LL100L | 9314-0015 | 1 | .05 | 50 ft. | 200 ft. |

H (.500" Pitch)

| Part No. | Product No. | Width (in) | Weight (Lbs.) | Min. Order Qty. | Max. Cont. Length |
|----------------------|-------------|------------|---------------|-----------------|-------------------|
| ¹⁷ LL050H | 9314-0003 | 1/2 | .04 | 50 ft. | 400 ft. |
| ¹⁷ LL075H | 9314-0006 | 3/4 | .06 | 50 ft. | 275 ft. |
| ¹⁷ LL100H | 9314-0008 | 1 | .12 | 50 ft. | 200 ft. |
| LL150H | 9314-0017 | 1 1/2 | .12 | 50 ft. | 656 ft. |
| LL200H | 9314-0021 | 2 | .13 | 50 ft. | 656 ft. |
| LL300H | 9314-0025 | 3 | .27 | 50 ft. | 656 ft. |

Steel Tensile - H (.500 Pitch)

| Part No. | Product No. | Width (in) | Weight (Lbs.) | Min. Order Qty. | Max. Cont. Length |
|-----------|-------------|------------|---------------|-----------------|-------------------|
| LL075H ST | 9314-10011 | 3/4 | .22 | 98 ft. | 492 ft. |
| LL100H ST | 9314-10037 | 1 | .25 | 98 ft. | 492 ft. |

¹⁷ Longer continuous lengths may be available by special order, contact Customer Service.

Synchro-Power® Polyurethane Belting

Urethane belting can be modified in a variety of ways to suit users needs.

Markets/Applications

Synchro-Power belting is ideal for various applications such as, vacuum conveyors, linear positioning, assembly conveyors, robotics, packaging conveying, glass conveyors, incline conveyors, paper transfer, wafer conveying, food and beverage and indexing.

Features/Advantages

- Modifications include molded profiles, tensile cords, lamination with various backings, and FDA and USDA constructions.
- Can be welded endless.
- Wide range of widths up to 18 inches.
- **Steel tensile cord** for length stability.
- **Polyurethane body** is abrasion, chemical and wear resistant for extended life.

Recommended Pulleys
PowerGrip® Timing Pulleys

Notes
Synchro-Power LL belting is made to order. Contact Customer Service for price and availability.



Product No. Series 7787

| Available Pitches | |
|-------------------|-----------------|
| Metric | Timing |
| T5 | XL |
| T10 | L |
| WT10 (Wide Width) | H |
| T20 | XH |
| AT5 | WH (Wide Width) |
| AT10 | |
| AT20 | |
| 5M HTD | |
| 8M HTD | |
| 14M HTD | |

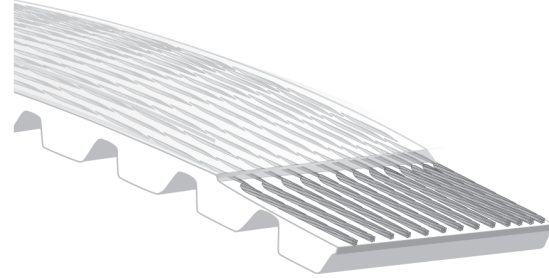
| Constructions Available |
|-------------------------|
| Steel Tensile |
| High Flex Steel Tensile |
| Kevlar Tensile |
| Nylon Tooth |
| Nylon Backing |
| Heavy Backing |
| FDA |

Synchro-Power® Polyurethane Belts

Endless urethane construction provides higher strength as compared to welded urethane belts, making them well-suited for use in power transmission and high-performance positioning applications.

Markets/Applications

Synchro-Power metric pitch timing belts are ideal for use in office machines, machine tools, postage equipment, sewing machines, vending machines, agriculture, outdoor power equipment, wood and paper, sand/gravel operations, oil fields, food processing and HVAC.



Features/Advantages

- Steel tensile cord for length stability.
- Abrasion, chemical, and wear resistant for extended life.
- Temperature ranges from -22°F to +176°F (-30°C to +80°C).

Recommended Sprockets

Contact the Gates Made-To-Order Metal Team

Notes

Synchro-Power belts listed on the following pages are available in custom widths as Standard/Non-Stock with no minimum order quantities required. Contact Customer Service for minimum and maximum width range.

See end of this section for Made-to-Order lengths available. The minimum order quantity is full sleeve yield +/- 10%. Sleeve widths are 300mm unless otherwise noted. Minimum belt width is 4mm. Please contact Customer Service for price and availability.

Product No. Series 7762

T5 Pitch — 4mm Wide

| Part No. | Product No. | Number of Teeth | Pitch Length (mm) | Weight (Lbs.) | Part No. | Product No. | Number of Teeth | Pitch Length (mm) | Weight (Lbs.) |
|----------|-------------|-----------------|-------------------|---------------|-----------|-------------|-----------------|-------------------|---------------|
| T5-150-4 | 7762-1000 | 48 | 150 | .01 | T5-525-4 | 7762-1034 | 105 | 525 | .01 |
| T5-165-4 | 7762-1001 | 33 | 165 | .01 | T5-545-4 | 7762-1035 | 109 | 545 | .01 |
| T5-180-4 | 7762-1002 | 58 | 180 | .01 | T5-550-4 | 7762-1036 | 110 | 550 | .01 |
| T5-185-4 | 7762-1003 | 37 | 185 | .01 | T5-560-4 | 7762-1037 | 112 | 560 | .01 |
| T5-200-4 | 7762-1004 | 40 | 200 | .01 | T5-575-4 | 7762-1038 | 115 | 575 | .01 |
| T5-215-4 | 7762-1005 | 43 | 215 | .01 | T5-590-4 | 7762-0490 | 118 | 590 | .01 |
| T5-220-4 | 7762-1006 | 44 | 220 | .01 | T5-600-4 | 7762-0478 | 120 | 600 | 2.81 |
| T5-225-4 | 7762-1007 | 45 | 225 | .01 | T5-610-4 | 7762-1039 | 122 | 610 | .01 |
| T5-245-4 | 7762-1008 | 49 | 245 | .01 | T5-620-4 | 7762-1040 | 124 | 620 | .01 |
| T5-250-4 | 7762-1009 | 50 | 250 | .01 | T5-630-4 | 7762-1041 | 126 | 630 | .01 |
| T5-255-4 | 7762-1010 | 51 | 255 | .01 | T5-640-4 | 7762-1042 | 128 | 640 | .01 |
| T5-260-4 | 7762-1011 | 52 | 260 | .01 | T5-650-4 | 7762-1043 | 130 | 650 | .01 |
| T5-270-4 | 7762-1012 | 54 | 270 | .01 | T5-660-4 | 7762-1044 | 132 | 660 | .01 |
| T5-275-4 | 7762-1013 | 55 | 275 | .01 | T5-675-4 | 7762-1045 | 135 | 675 | .01 |
| T5-280-4 | 7762-1014 | 56 | 280 | .01 | T5-690-4 | 7762-1046 | 138 | 690 | .01 |
| T5-295-4 | 7762-1015 | 59 | 295 | .01 | T5-700-4 | 7762-1047 | 140 | 700 | .01 |
| T5-305-4 | 7762-1016 | 61 | 305 | .01 | T5-720-4 | 7762-1048 | 144 | 720 | .01 |
| T5-330-4 | 7762-1018 | 66 | 330 | .01 | T5-725-4 | 7762-0454 | 145 | 725 | .01 |
| T5-340-4 | 7762-1019 | 68 | 340 | .01 | T5-750-4 | 7762-1049 | 150 | 750 | .01 |
| T5-350-4 | 7762-1020 | 70 | 350 | .01 | T5-780-4 | 7762-1050 | 156 | 780 | .02 |
| T5-355-4 | 7762-1021 | 71 | 355 | .01 | T5-800-4 | 7762-0363 | 160 | 800 | .02 |
| T5-365-4 | 7762-1022 | 73 | 365 | .01 | T5-815-4 | 7762-1051 | 163 | 815 | .02 |
| T5-390-4 | 7762-1023 | 78 | 390 | .01 | T5-830-4 | 7762-0604 | 166 | 830 | .02 |
| T5-400-4 | 7762-1024 | 80 | 400 | .01 | T5-840-4 | 7762-1052 | 168 | 840 | .02 |
| T5-410-4 | 7762-1025 | 82 | 410 | .01 | T5-850-4 | 7762-0377 | 170 | 850 | .02 |
| T5-420-4 | 7762-1026 | 84 | 420 | .01 | T5-900-4 | 7762-1053 | 180 | 900 | .02 |
| T5-445-4 | 7762-1027 | 89 | 445 | .01 | T5-940-4 | 7762-1054 | 188 | 940 | .02 |
| T5-450-4 | 7762-1028 | 90 | 450 | .01 | T5-990-4 | 7762-1055 | 198 | 990 | .02 |
| T5-455-4 | 7762-1029 | 91 | 455 | .01 | T5-1075-4 | 7762-1056 | 215 | 1075 | .02 |
| T5-475-4 | 7762-1030 | 95 | 475 | .01 | T5-1100-4 | 7762-1057 | 220 | 1100 | .02 |
| T5-480-4 | 7762-1031 | 96 | 480 | .01 | T5-1215-4 | 7762-1058 | 243 | 1215 | .02 |
| T5-500-4 | 7762-1032 | 100 | 500 | .01 | T5-1315-4 | 7762-1059 | 263 | 1315 | .03 |
| T5-510-4 | 7762-1033 | 102 | 510 | .01 | T5-1380-4 | 7762-1060 | 276 | 1380 | .03 |

Synchro-Power® Polyurethane Belts

Product No. Series 7762 (continued)

T5 Pitch — 6mm Wide

| Part No. | Product No. | Number of Teeth | Pitch Length (mm) | Weight (Lbs.) | Part No. | Product No. | Number of Teeth | Pitch Length (mm) | Weight (Lbs.) |
|----------|-------------|-----------------|-------------------|---------------|-----------|-------------|-----------------|-------------------|---------------|
| T5-150-6 | 7762-1070 | 30 | 150 | .01 | T5-525-6 | 7762-1104 | 105 | 525 | .02 |
| T5-165-6 | 7762-1071 | 33 | 165 | .01 | T5-545-6 | 7762-1105 | 109 | 545 | .02 |
| T5-180-6 | 7762-1072 | 36 | 180 | .01 | T5-550-6 | 7762-1106 | 110 | 550 | .02 |
| T5-185-6 | 7762-1073 | 37 | 185 | .01 | T5-560-6 | 7762-1107 | 112 | 560 | .02 |
| T5-200-6 | 7762-1074 | 40 | 200 | .01 | T5-575-6 | 7762-1108 | 115 | 575 | .02 |
| T5-215-6 | 7762-1075 | 43 | 215 | .01 | T5-590-6 | 7762-0491 | 118 | 590 | .02 |
| T5-220-6 | 7762-1076 | 44 | 220 | .01 | T5-600-6 | 7762-0479 | 120 | 600 | .02 |
| T5-225-6 | 7762-1077 | 45 | 225 | .01 | T5-610-6 | 7762-1109 | 122 | 610 | .02 |
| T5-245-6 | 7762-1078 | 49 | 245 | .01 | T5-620-6 | 7762-1110 | 124 | 620 | .02 |
| T5-250-6 | 7762-1079 | 50 | 250 | .01 | T5-630-6 | 7762-1111 | 126 | 630 | .02 |
| T5-255-6 | 7762-1080 | 51 | 255 | .01 | T5-640-6 | 7762-1112 | 128 | 640 | .02 |
| T5-260-6 | 7762-1081 | 52 | 260 | .01 | T5-650-6 | 7762-1113 | 130 | 650 | .02 |
| T5-270-6 | 7762-1082 | 54 | 270 | .01 | T5-660-6 | 7762-1114 | 132 | 660 | .02 |
| T5-275-6 | 7762-1083 | 55 | 275 | .01 | T5-675-6 | 7762-1115 | 135 | 675 | .02 |
| T5-280-6 | 7762-1084 | 56 | 280 | .01 | T5-690-6 | 7762-1116 | 138 | 690 | .02 |
| T5-295-6 | 7762-1085 | 59 | 295 | .01 | T5-700-6 | 7762-1117 | 140 | 700 | .02 |
| T5-305-6 | 7762-1086 | 61 | 305 | .01 | T5-720-6 | 7762-1118 | 144 | 720 | .02 |
| T5-330-6 | 7762-1088 | 66 | 330 | .01 | T5-725-6 | 7762-0455 | 145 | 725 | .01 |
| T5-340-6 | 7762-1089 | 68 | 340 | .01 | T5-750-6 | 7762-1119 | 150 | 750 | .02 |
| T5-350-6 | 7762-1090 | 70 | 350 | .01 | T5-780-6 | 7762-1120 | 156 | 780 | .02 |
| T5-355-6 | 7762-1091 | 71 | 355 | .01 | T5-800-6 | 7762-0364 | 160 | 800 | .05 |
| T5-365-6 | 7762-1092 | 73 | 365 | .01 | T5-815-6 | 7762-1121 | 163 | 815 | .02 |
| T5-390-6 | 7762-1093 | 78 | 390 | .01 | T5-830-6 | 7762-0605 | 166 | 830 | .02 |
| T5-400-6 | 7762-1094 | 80 | 400 | .01 | T5-840-6 | 7762-1122 | 168 | 840 | .02 |
| T5-410-6 | 7762-1095 | 82 | 410 | .01 | T5-850-6 | 7762-0378 | 170 | 850 | .05 |
| T5-420-6 | 7762-1096 | 84 | 420 | .01 | T5-900-6 | 7762-1123 | 180 | 900 | .03 |
| T5-445-6 | 7762-1097 | 89 | 445 | .01 | T5-940-6 | 7762-1124 | 188 | 940 | .03 |
| T5-450-6 | 7762-1098 | 90 | 450 | .01 | T5-990-6 | 7762-1125 | 198 | 990 | .03 |
| T5-455-6 | 7762-1099 | 91 | 455 | .01 | T5-1075-6 | 7762-1126 | 215 | 1075 | .03 |
| T5-475-6 | 7762-1100 | 95 | 475 | .01 | T5-1100-6 | 7762-1127 | 220 | 1100 | .03 |
| T5-480-6 | 7762-1101 | 96 | 480 | .01 | T5-1215-6 | 7762-1128 | 243 | 1215 | .04 |
| T5-500-6 | 7762-1102 | 100 | 500 | .01 | T5-1315-6 | 7762-1129 | 263 | 1315 | .04 |
| T5-510-6 | 7762-1103 | 102 | 510 | .01 | T5-1380-6 | 7762-1130 | 276 | 1380 | .04 |

T5 Pitch — 8mm Wide

| Part No. | Product No. | Number of Teeth | Pitch Length (mm) | Weight (Lbs.) | Part No. | Product No. | Number of Teeth | Pitch Length (mm) | Weight (Lbs.) |
|----------|-------------|-----------------|-------------------|---------------|----------|-------------|-----------------|-------------------|---------------|
| T5-150-8 | 7762-1140 | 30 | 150 | .01 | T5-365-8 | 7762-1162 | 73 | 365 | .01 |
| T5-165-8 | 7762-1141 | 33 | 165 | .01 | T5-390-8 | 7762-1163 | 78 | 390 | .02 |
| T5-180-8 | 7762-1142 | 36 | 180 | .01 | T5-400-8 | 7762-1164 | 80 | 400 | .02 |
| T5-185-8 | 7762-1143 | 37 | 185 | .01 | T5-410-8 | 7762-1165 | 82 | 410 | .02 |
| T5-200-8 | 7762-1144 | 40 | 200 | .01 | T5-420-8 | 7762-1166 | 84 | 420 | .02 |
| T5-215-8 | 7762-1145 | 43 | 215 | .01 | T5-445-8 | 7762-1167 | 89 | 445 | .02 |
| T5-220-8 | 7762-1146 | 44 | 220 | .01 | T5-450-8 | 7762-1168 | 90 | 450 | .02 |
| T5-225-8 | 7762-1147 | 45 | 225 | .01 | T5-455-8 | 7762-1169 | 91 | 455 | .02 |
| T5-245-8 | 7762-1148 | 49 | 245 | .01 | T5-475-8 | 7762-1170 | 95 | 475 | .02 |
| T5-250-8 | 7762-1149 | 50 | 250 | .01 | T5-480-8 | 7762-1171 | 96 | 480 | .02 |
| T5-255-8 | 7762-1150 | 51 | 255 | .01 | T5-500-8 | 7762-1172 | 100 | 500 | .02 |
| T5-260-8 | 7762-1151 | 52 | 260 | .01 | T5-510-8 | 7762-1173 | 102 | 510 | .02 |
| T5-270-8 | 7762-1152 | 54 | 270 | .01 | T5-525-8 | 7762-1174 | 105 | 525 | .02 |
| T5-275-8 | 7762-1153 | 55 | 275 | .01 | T5-545-8 | 7762-1175 | 109 | 545 | .02 |
| T5-280-8 | 7762-1154 | 56 | 280 | .01 | T5-550-8 | 7762-1176 | 110 | 550 | .02 |
| T5-295-8 | 7762-1155 | 59 | 295 | .01 | T5-560-8 | 7762-1177 | 112 | 560 | .02 |
| T5-305-8 | 7762-1156 | 61 | 305 | .01 | T5-575-8 | 7762-1178 | 115 | 575 | .02 |
| T5-330-8 | 7762-1158 | 66 | 330 | .01 | T5-590-8 | 7762-0492 | 118 | 590 | .02 |
| T5-340-8 | 7762-1159 | 68 | 340 | .01 | T5-600-8 | 7762-0480 | 120 | 600 | .02 |
| T5-350-8 | 7762-1160 | 70 | 350 | .01 | T5-610-8 | 7762-1179 | 122 | 610 | .02 |
| T5-355-8 | 7762-1161 | 71 | 355 | .01 | T5-620-8 | 7762-1180 | 124 | 620 | .02 |

SYNCHRO-POWER BELTS

Synchro-Power® Polyurethane Belts

Product No. Series 7762 (continued)

T5 Pitch — 8mm Wide (continued)

| Part No. | Product No. | Number of Teeth | Pitch Length (mm) | Weight (Lbs.) | Part No. | Product No. | Number of Teeth | Pitch Length (mm) | Weight (Lbs.) |
|----------|-------------|-----------------|-------------------|---------------|-----------|-------------|-----------------|-------------------|---------------|
| T5-630-8 | 7762-1181 | 126 | 630 | .02 | T5-815-8 | 7762-1191 | 163 | 815 | .03 |
| T5-640-8 | 7762-1182 | 128 | 640 | .02 | T5-830-8 | 7762-0606 | 166 | 830 | .03 |
| T5-650-8 | 7762-1183 | 130 | 650 | .03 | T5-840-8 | 7762-1192 | 168 | 840 | .03 |
| T5-660-8 | 7762-1184 | 132 | 660 | .03 | T5-850-8 | 7762-0379 | 170 | 850 | .05 |
| T5-675-8 | 7762-1185 | 135 | 675 | .03 | T5-900-8 | 7762-1193 | 180 | 900 | .03 |
| T5-690-8 | 7762-1186 | 138 | 690 | .03 | T5-940-8 | 7762-1194 | 188 | 940 | .04 |
| T5-700-8 | 7762-1187 | 140 | 700 | .03 | T5-990-8 | 7762-1195 | 198 | 990 | .04 |
| T5-720-8 | 7762-1188 | 144 | 720 | .03 | T5-1075-8 | 7762-1196 | 215 | 1075 | .04 |
| T5-725-8 | 7762-0456 | 145 | 725 | .01 | T5-1100-8 | 7762-1197 | 220 | 1100 | .04 |
| T5-750-8 | 7762-1189 | 150 | 750 | .03 | T5-1215-8 | 7762-1198 | 243 | 1215 | .05 |
| T5-780-8 | 7762-1190 | 156 | 780 | .03 | T5-1315-8 | 7762-1199 | 263 | 1315 | .05 |
| T5-800-8 | 7762-0365 | 160 | 800 | .01 | T5-1380-8 | 7762-1200 | 276 | 1380 | .05 |

T5 Pitch — 10mm Wide

| Part No. | Product No. | Number of Teeth | Pitch Length (mm) | Weight (Lbs.) | Part No. | Product No. | Number of Teeth | Pitch Length (mm) | Weight (Lbs.) |
|-----------|-------------|-----------------|-------------------|---------------|------------|-------------|-----------------|-------------------|---------------|
| T5-150-10 | 7762-1210 | 30 | 150 | .01 | T5-525-10 | 7762-1244 | 105 | 525 | .03 |
| T5-165-10 | 7762-1211 | 33 | 165 | .01 | T5-545-10 | 7762-1245 | 109 | 545 | .03 |
| T5-180-10 | 7762-1212 | 36 | 180 | .01 | T5-550-10 | 7762-1246 | 110 | 550 | .03 |
| T5-185-10 | 7762-1213 | 37 | 185 | .01 | T5-560-10 | 7762-1247 | 112 | 560 | .03 |
| T5-200-10 | 7762-1214 | 40 | 200 | .01 | T5-575-10 | 7762-1248 | 115 | 575 | .03 |
| T5-215-10 | 7762-1215 | 43 | 215 | .01 | T5-590-10 | 7762-0493 | 118 | 590 | .03 |
| T5-220-10 | 7762-1216 | 44 | 220 | .01 | T5-600-10 | 7762-0481 | 120 | 600 | .03 |
| T5-225-10 | 7762-1217 | 45 | 225 | .01 | T5-610-10 | 7762-1249 | 122 | 610 | .03 |
| T5-245-10 | 7762-1218 | 49 | 245 | .01 | T5-620-10 | 7762-1250 | 124 | 620 | .03 |
| T5-250-10 | 7762-1219 | 50 | 250 | .01 | T5-630-10 | 7762-1251 | 126 | 630 | .03 |
| T5-255-10 | 7762-1220 | 51 | 255 | .01 | T5-640-10 | 7762-1252 | 128 | 640 | .03 |
| T5-260-10 | 7762-1221 | 52 | 260 | .01 | T5-650-10 | 7762-1253 | 130 | 650 | .03 |
| T5-270-10 | 7762-1222 | 54 | 270 | .01 | T5-660-10 | 7762-1254 | 132 | 660 | .03 |
| T5-275-10 | 7762-1223 | 55 | 275 | .01 | T5-675-10 | 7762-1255 | 135 | 675 | .03 |
| T5-280-10 | 7762-1224 | 56 | 280 | .01 | T5-690-10 | 7762-1256 | 138 | 690 | .03 |
| T5-295-10 | 7762-1225 | 59 | 295 | .01 | T5-700-10 | 7762-1257 | 140 | 700 | .03 |
| T5-305-10 | 7762-1226 | 61 | 305 | .01 | T5-720-10 | 7762-1258 | 144 | 720 | .03 |
| T5-330-10 | 7762-1228 | 66 | 330 | .02 | T5-725-10 | 7762-0457 | 145 | 725 | .05 |
| T5-340-10 | 7762-1229 | 68 | 340 | .02 | T5-750-10 | 7762-1259 | 150 | 750 | .04 |
| T5-350-10 | 7762-1230 | 70 | 350 | .02 | T5-780-10 | 7762-1260 | 156 | 780 | .04 |
| T5-355-10 | 7762-1231 | 71 | 355 | .02 | T5-800-10 | 7762-0366 | 160 | 800 | .05 |
| T5-365-10 | 7762-1232 | 73 | 365 | .02 | T5-815-10 | 7762-1261 | 163 | 815 | .04 |
| T5-390-10 | 7762-1233 | 78 | 390 | .02 | T5-830-10 | 7762-0607 | 166 | 830 | .04 |
| T5-400-10 | 7762-1234 | 80 | 400 | .02 | T5-840-10 | 7762-1262 | 168 | 840 | .04 |
| T5-410-10 | 7762-1235 | 82 | 410 | .02 | T5-850-10 | 7762-0380 | 170 | 850 | .05 |
| T5-420-10 | 7762-1236 | 84 | 420 | .02 | T5-900-10 | 7762-1263 | 180 | 900 | .04 |
| T5-445-10 | 7762-1237 | 89 | 445 | .02 | T5-940-10 | 7762-1264 | 188 | 940 | .05 |
| T5-450-10 | 7762-1238 | 90 | 450 | .02 | T5-990-10 | 7762-1265 | 198 | 990 | .05 |
| T5-455-10 | 7762-1239 | 91 | 455 | .02 | T5-1075-10 | 7762-1266 | 215 | 1075 | .05 |
| T5-475-10 | 7762-1240 | 95 | 475 | .02 | T5-1100-10 | 7762-1267 | 220 | 1100 | .05 |
| T5-480-10 | 7762-1241 | 96 | 480 | .02 | T5-1215-10 | 7762-1268 | 243 | 1215 | .06 |
| T5-500-10 | 7762-1242 | 100 | 500 | .02 | T5-1315-10 | 7762-1269 | 263 | 1315 | .06 |
| T5-510-10 | 7762-1243 | 102 | 510 | .02 | T5-1380-10 | 7762-1270 | 276 | 1380 | .07 |

T5 Pitch — 12mm Wide

| Part No. | Product No. | Number of Teeth | Pitch Length (mm) | Weight (Lbs.) | Part No. | Product No. | Number of Teeth | Pitch Length (mm) | Weight (Lbs.) |
|-----------|-------------|-----------------|-------------------|---------------|-----------|-------------|-----------------|-------------------|---------------|
| T5-150-12 | 7762-1280 | 30 | 150 | .01 | T5-200-12 | 7762-1284 | 40 | 200 | .01 |
| T5-165-12 | 7762-1281 | 33 | 165 | .01 | T5-215-12 | 7762-1285 | 43 | 215 | .01 |
| T5-180-12 | 7762-1282 | 36 | 180 | .01 | T5-220-12 | 7762-1286 | 44 | 220 | .01 |
| T5-185-12 | 7762-1283 | 37 | 185 | .01 | T5-225-12 | 7762-1287 | 45 | 225 | .01 |

SYNCHRO-POWER BELTS

Synchro-Power® Polyurethane Belts

Product No. Series 7762 (continued)

T5 Pitch — 12mm Wide (continued)

| Part No. | Product No. | Number of Teeth | Pitch Length (mm) | Weight (Lbs.) | Part No. | Product No. | Number of Teeth | Pitch Length (mm) | Weight (Lbs.) |
|-----------|-------------|-----------------|-------------------|---------------|------------|-------------|-----------------|-------------------|---------------|
| T5-245-12 | 7762-1288 | 49 | 245 | .01 | T5-575-12 | 7762-1318 | 115 | 575 | .03 |
| T5-250-12 | 7762-1289 | 50 | 250 | .01 | T5-590-12 | 7762-0494 | 118 | 590 | .03 |
| T5-255-12 | 7762-1290 | 51 | 255 | .01 | T5-600-12 | 7762-0482 | 120 | 600 | .03 |
| T5-260-12 | 7762-1291 | 52 | 260 | .02 | T5-610-12 | 7762-1319 | 122 | 610 | .04 |
| T5-270-12 | 7762-1292 | 54 | 270 | .02 | T5-620-12 | 7762-1320 | 124 | 620 | .04 |
| T5-275-12 | 7762-1293 | 55 | 275 | .02 | T5-630-12 | 7762-1321 | 126 | 630 | .04 |
| T5-280-12 | 7762-1294 | 56 | 280 | .02 | T5-640-12 | 7762-1322 | 128 | 640 | .04 |
| T5-295-12 | 7762-1295 | 59 | 295 | .02 | T5-650-12 | 7762-1323 | 130 | 650 | .04 |
| T5-305-12 | 7762-1296 | 61 | 305 | .02 | T5-660-12 | 7762-1324 | 132 | 660 | .04 |
| T5-330-12 | 7762-1298 | 66 | 330 | .02 | T5-675-12 | 7762-1325 | 135 | 675 | .04 |
| T5-340-12 | 7762-1299 | 68 | 340 | .02 | T5-690-12 | 7762-1326 | 138 | 690 | .04 |
| T5-350-12 | 7762-1300 | 70 | 350 | .02 | T5-700-12 | 7762-1327 | 140 | 700 | .04 |
| T5-355-12 | 7762-1301 | 71 | 355 | .02 | T5-720-12 | 7762-1328 | 144 | 720 | .04 |
| T5-365-12 | 7762-1302 | 73 | 365 | .02 | T5-725-12 | 7762-0458 | 145 | 725 | .05 |
| T5-390-12 | 7762-1303 | 78 | 390 | .02 | T5-750-12 | 7762-1329 | 150 | 750 | .04 |
| T5-400-12 | 7762-1304 | 80 | 400 | .02 | T5-780-12 | 7762-1330 | 156 | 780 | .05 |
| T5-410-12 | 7762-1305 | 82 | 410 | .02 | T5-800-12 | 7762-0367 | 160 | 800 | .05 |
| T5-420-12 | 7762-1306 | 84 | 420 | .02 | T5-815-12 | 7762-1331 | 163 | 815 | .05 |
| T5-445-12 | 7762-1307 | 89 | 445 | .03 | T5-830-12 | 7762-0608 | 166 | 830 | .05 |
| T5-450-12 | 7762-1308 | 90 | 450 | .03 | T5-840-12 | 7762-1332 | 168 | 840 | .05 |
| T5-455-12 | 7762-1309 | 91 | 455 | .03 | T5-850-12 | 7762-0381 | 170 | 850 | .10 |
| T5-475-12 | 7762-1310 | 95 | 475 | .03 | T5-900-12 | 7762-1333 | 180 | 900 | .05 |
| T5-480-12 | 7762-1311 | 96 | 480 | .03 | T5-940-12 | 7762-1334 | 188 | 940 | .05 |
| T5-500-12 | 7762-1312 | 100 | 500 | .03 | T5-990-12 | 7762-1335 | 198 | 990 | .06 |
| T5-510-12 | 7762-1313 | 102 | 510 | .03 | T5-1075-12 | 7762-1336 | 215 | 1075 | .06 |
| T5-525-12 | 7762-1314 | 105 | 525 | .03 | T5-1100-12 | 7762-1337 | 220 | 1100 | .06 |
| T5-545-12 | 7762-1315 | 109 | 545 | .03 | T5-1215-12 | 7762-1338 | 243 | 1215 | .07 |
| T5-550-12 | 7762-1316 | 110 | 550 | .03 | T5-1315-12 | 7762-1339 | 263 | 1315 | .08 |
| T5-560-12 | 7762-1317 | 112 | 560 | .03 | T5-1380-12 | 7762-1340 | 276 | 1380 | .08 |

T5 Pitch — 16mm Wide

| Part No. | Product No. | Number of Teeth | Pitch Length (mm) | Weight (Lbs.) | Part No. | Product No. | Number of Teeth | Pitch Length (mm) | Weight (Lbs.) |
|-----------|-------------|-----------------|-------------------|---------------|-----------|-------------|-----------------|-------------------|---------------|
| T5-150-16 | 7762-1350 | 30 | 150 | .01 | T5-420-16 | 7762-1376 | 84 | 420 | .03 |
| T5-165-16 | 7762-1351 | 33 | 165 | .01 | T5-445-16 | 7762-1377 | 89 | 445 | .03 |
| T5-180-16 | 7762-1352 | 36 | 180 | .01 | T5-450-16 | 7762-1378 | 90 | 450 | .03 |
| T5-185-16 | 7762-1353 | 37 | 185 | .01 | T5-455-16 | 7762-1379 | 91 | 455 | .04 |
| T5-200-16 | 7762-1354 | 40 | 200 | .02 | T5-475-16 | 7762-1380 | 95 | 475 | .04 |
| T5-215-16 | 7762-1355 | 43 | 215 | .02 | T5-480-16 | 7762-1381 | 96 | 480 | .04 |
| T5-220-16 | 7762-1356 | 44 | 220 | .02 | T5-500-16 | 7762-1382 | 100 | 500 | .04 |
| T5-225-16 | 7762-1357 | 45 | 225 | .02 | T5-510-16 | 7762-1383 | 102 | 510 | .04 |
| T5-245-16 | 7762-1358 | 49 | 245 | .02 | T5-525-16 | 7762-1384 | 105 | 525 | .04 |
| T5-250-16 | 7762-1359 | 50 | 250 | .02 | T5-545-16 | 7762-1385 | 109 | 545 | .04 |
| T5-255-16 | 7762-1360 | 51 | 255 | .02 | T5-550-16 | 7762-1386 | 110 | 550 | .04 |
| T5-260-16 | 7762-1361 | 52 | 260 | .02 | T5-560-16 | 7762-1387 | 112 | 560 | .04 |
| T5-270-16 | 7762-1362 | 54 | 270 | .02 | T5-575-16 | 7762-1388 | 115 | 575 | .04 |
| T5-275-16 | 7762-1363 | 55 | 275 | .02 | T5-590-16 | 7762-0495 | 118 | 590 | .04 |
| T5-280-16 | 7762-1364 | 56 | 280 | .02 | T5-600-16 | 7762-0483 | 120 | 600 | .04 |
| T5-295-16 | 7762-1365 | 59 | 295 | .02 | T5-610-16 | 7762-1389 | 122 | 610 | .05 |
| T5-305-16 | 7762-1366 | 61 | 305 | .02 | T5-620-16 | 7762-1390 | 124 | 620 | .05 |
| T5-330-16 | 7762-1368 | 66 | 330 | .03 | T5-630-16 | 7762-1391 | 126 | 630 | .05 |
| T5-340-16 | 7762-1369 | 68 | 340 | .03 | T5-640-16 | 7762-1392 | 128 | 640 | .05 |
| T5-350-16 | 7762-1370 | 70 | 350 | .03 | T5-650-16 | 7762-1393 | 130 | 650 | .05 |
| T5-355-16 | 7762-1371 | 71 | 355 | .03 | T5-660-16 | 7762-1394 | 132 | 660 | .05 |
| T5-365-16 | 7762-1372 | 73 | 365 | .03 | T5-675-16 | 7762-1395 | 135 | 675 | .05 |
| T5-390-16 | 7762-1373 | 78 | 390 | .03 | T5-690-16 | 7762-1396 | 138 | 690 | .05 |
| T5-400-16 | 7762-1374 | 80 | 400 | .03 | T5-700-16 | 7762-1397 | 140 | 700 | .05 |
| T5-410-16 | 7762-1375 | 82 | 410 | .03 | T5-720-16 | 7762-1398 | 144 | 720 | .06 |

Synchro-Power® Polyurethane Belts

Product No. Series 7762 (continued)

T5 Pitch — 16mm Wide (continued)

| Part No. | Product No. | Number of Teeth | Pitch Length (mm) | Weight (Lbs.) | Part No. | Product No. | Number of Teeth | Pitch Length (mm) | Weight (Lbs.) |
|-----------|-------------|-----------------|-------------------|---------------|------------|-------------|-----------------|-------------------|---------------|
| T5-725-16 | 7762-0459 | 145 | 725 | .10 | T5-900-16 | 7762-1403 | 180 | 900 | .07 |
| T5-750-16 | 7762-1399 | 150 | 750 | .06 | T5-940-16 | 7762-1404 | 188 | 940 | .07 |
| T5-780-16 | 7762-1400 | 156 | 780 | .06 | T5-990-16 | 7762-1405 | 198 | 990 | .08 |
| T5-800-16 | 7762-0369 | 160 | 800 | .10 | T5-1075-16 | 7762-1406 | 215 | 1075 | .08 |
| T5-815-16 | 7762-1401 | 163 | 815 | .06 | T5-1100-16 | 7762-1407 | 220 | 1100 | .08 |
| T5-830-16 | 7762-0609 | 166 | 830 | .06 | T5-1215-16 | 7762-1408 | 243 | 1215 | .09 |
| T5-840-16 | 7762-1402 | 168 | 840 | .06 | T5-1315-16 | 7762-1409 | 263 | 1315 | .10 |
| T5-850-16 | 7762-0383 | 170 | 850 | .10 | T5-1380-16 | 7762-1410 | 276 | 1380 | .11 |

T5 Pitch — 20mm Wide

| Part No. | Product No. | Number of Teeth | Pitch Length (mm) | Weight (Lbs.) | Part No. | Product No. | Number of Teeth | Pitch Length (mm) | Weight (Lbs.) |
|-----------|-------------|-----------------|-------------------|---------------|------------|-------------|-----------------|-------------------|---------------|
| T5-150-20 | 7762-1420 | 30 | 150 | .01 | T5-525-20 | 7762-1454 | 105 | 525 | .05 |
| T5-165-20 | 7762-1421 | 33 | 165 | .02 | T5-545-20 | 7762-1455 | 109 | 545 | .05 |
| T5-180-20 | 7762-1422 | 36 | 180 | .02 | T5-550-20 | 7762-1456 | 110 | 550 | .05 |
| T5-185-20 | 7762-1423 | 37 | 185 | .02 | T5-560-20 | 7762-1457 | 112 | 560 | .05 |
| T5-200-20 | 7762-1424 | 40 | 200 | .02 | T5-575-20 | 7762-1458 | 115 | 575 | .06 |
| T5-215-20 | 7762-1425 | 43 | 215 | .02 | T5-590-20 | 7762-0496 | 118 | 590 | .06 |
| T5-220-20 | 7762-1426 | 44 | 220 | .02 | T5-600-20 | 7762-0484 | 120 | 600 | .06 |
| T5-225-20 | 7762-1427 | 45 | 225 | .02 | T5-610-20 | 7762-1459 | 122 | 610 | .06 |
| T5-245-20 | 7762-1428 | 49 | 245 | .02 | T5-620-20 | 7762-1460 | 124 | 620 | .06 |
| T5-250-20 | 7762-1429 | 50 | 250 | .02 | T5-630-20 | 7762-1461 | 126 | 630 | .06 |
| T5-255-20 | 7762-1430 | 51 | 255 | .02 | T5-640-20 | 7762-1462 | 128 | 640 | .06 |
| T5-260-20 | 7762-1431 | 52 | 260 | .03 | T5-650-20 | 7762-1463 | 130 | 650 | .06 |
| T5-270-20 | 7762-1432 | 54 | 270 | .03 | T5-660-20 | 7762-1464 | 132 | 660 | .06 |
| T5-275-20 | 7762-1433 | 55 | 275 | .03 | T5-675-20 | 7762-1465 | 135 | 675 | .06 |
| T5-280-20 | 7762-1434 | 56 | 280 | .03 | T5-690-20 | 7762-1466 | 138 | 690 | .07 |
| T5-295-20 | 7762-1435 | 59 | 295 | .03 | T5-700-20 | 7762-1467 | 140 | 700 | .07 |
| T5-305-20 | 7762-1436 | 61 | 305 | .03 | T5-720-20 | 7762-1468 | 144 | 720 | .07 |
| T5-330-20 | 7762-1438 | 66 | 330 | .03 | T5-725-20 | 7762-0460 | 145 | 725 | .10 |
| T5-340-20 | 7762-1439 | 68 | 340 | .03 | T5-750-20 | 7762-1469 | 150 | 750 | .07 |
| T5-350-20 | 7762-1440 | 70 | 350 | .03 | T5-780-20 | 7762-1470 | 156 | 780 | .08 |
| T5-355-20 | 7762-1441 | 71 | 355 | .03 | T5-800-20 | 7762-0370 | 160 | 800 | .10 |
| T5-365-20 | 7762-1442 | 73 | 365 | .04 | T5-815-20 | 7762-1471 | 163 | 815 | .08 |
| T5-390-20 | 7762-1443 | 78 | 390 | .04 | T5-830-20 | 7762-0610 | 166 | 830 | .08 |
| T5-400-20 | 7762-1444 | 80 | 400 | .04 | T5-840-20 | 7762-1472 | 168 | 840 | .08 |
| T5-410-20 | 7762-1445 | 82 | 410 | .04 | T5-850-20 | 7762-0384 | 170 | 850 | .10 |
| T5-420-20 | 7762-1446 | 84 | 420 | .04 | T5-900-20 | 7762-1473 | 180 | 900 | .09 |
| T5-445-20 | 7762-1447 | 89 | 445 | .04 | T5-940-20 | 7762-1474 | 188 | 940 | .09 |
| T5-450-20 | 7762-1448 | 90 | 450 | .04 | T5-990-20 | 7762-1475 | 198 | 990 | .10 |
| T5-455-20 | 7762-1449 | 91 | 455 | .04 | T5-1075-20 | 7762-1476 | 215 | 1075 | .10 |
| T5-475-20 | 7762-1450 | 95 | 475 | .05 | T5-1100-20 | 7762-1477 | 220 | 1100 | .11 |
| T5-480-20 | 7762-1451 | 96 | 480 | .05 | T5-1215-20 | 7762-1478 | 243 | 1215 | .12 |
| T5-500-20 | 7762-1452 | 100 | 500 | .05 | T5-1315-20 | 7762-1479 | 263 | 1315 | .13 |
| T5-510-20 | 7762-1453 | 102 | 510 | .05 | T5-1380-20 | 7762-1480 | 276 | 1380 | .13 |

T5 Pitch — 25mm Wide

| Part No. | Product No. | Number of Teeth | Pitch Length (mm) | Weight (Lbs.) | Part No. | Product No. | Number of Teeth | Pitch Length (mm) | Weight (Lbs.) |
|-----------|-------------|-----------------|-------------------|---------------|-----------|-------------|-----------------|-------------------|---------------|
| T5-150-25 | 7762-1490 | 30 | 150 | .02 | T5-245-25 | 7762-1498 | 49 | 245 | .03 |
| T5-165-25 | 7762-1491 | 33 | 165 | .02 | T5-250-25 | 7762-1499 | 50 | 250 | .03 |
| T5-180-25 | 7762-1492 | 36 | 180 | .02 | T5-255-25 | 7762-1500 | 51 | 255 | .03 |
| T5-185-25 | 7762-1493 | 37 | 185 | .02 | T5-260-25 | 7762-1501 | 52 | 260 | .03 |
| T5-200-25 | 7762-1494 | 40 | 200 | .02 | T5-270-25 | 7762-1502 | 54 | 270 | .03 |
| T5-215-25 | 7762-1495 | 43 | 215 | .03 | T5-275-25 | 7762-1503 | 55 | 275 | .03 |
| T5-220-25 | 7762-1496 | 44 | 220 | .03 | T5-280-25 | 7762-1504 | 56 | 280 | .03 |
| T5-225-25 | 7762-1497 | 45 | 225 | .03 | T5-295-25 | 7762-1505 | 59 | 295 | .04 |

Synchro-Power® Polyurethane Belts

Product No. Series 7762 (continued)

T5 Pitch — 25mm Wide (continued)

| Part No. | Product No. | Number of Teeth | Pitch Length (mm) | Weight (Lbs.) | Part No. | Product No. | Number of Teeth | Pitch Length (mm) | Weight (Lbs.) |
|-----------|-------------|-----------------|-------------------|---------------|------------|-------------|-----------------|-------------------|---------------|
| T5-305-25 | 7762-1506 | 61 | 305 | .04 | T5-620-25 | 7762-1530 | 124 | 620 | .07 |
| T5-330-25 | 7762-1508 | 66 | 330 | .04 | T5-630-25 | 7762-1531 | 126 | 630 | .08 |
| T5-340-25 | 7762-1509 | 68 | 340 | .04 | T5-640-25 | 7762-1532 | 128 | 640 | .08 |
| T5-350-25 | 7762-1510 | 70 | 350 | .04 | T5-650-25 | 7762-1533 | 130 | 650 | .08 |
| T5-355-25 | 7762-1511 | 71 | 355 | .04 | T5-660-25 | 7762-1534 | 132 | 660 | .08 |
| T5-365-25 | 7762-1512 | 73 | 365 | .04 | T5-675-25 | 7762-1535 | 135 | 675 | .08 |
| T5-390-25 | 7762-1513 | 78 | 390 | .05 | T5-690-25 | 7762-1536 | 138 | 690 | .08 |
| T5-400-25 | 7762-1514 | 80 | 400 | .05 | T5-700-25 | 7762-1537 | 140 | 700 | .08 |
| T5-410-25 | 7762-1515 | 82 | 410 | .05 | T5-720-25 | 7762-1538 | 144 | 720 | .09 |
| T5-420-25 | 7762-1516 | 84 | 420 | .05 | T5-725-25 | 7762-0461 | 145 | 725 | .10 |
| T5-445-25 | 7762-1517 | 89 | 445 | .05 | T5-750-25 | 7762-1539 | 150 | 750 | .09 |
| T5-450-25 | 7762-1518 | 90 | 450 | .05 | T5-780-25 | 7762-1540 | 156 | 780 | .09 |
| T5-455-25 | 7762-1519 | 91 | 455 | .05 | T5-800-25 | 7762-0371 | 160 | 800 | .15 |
| T5-475-25 | 7762-1520 | 95 | 475 | .06 | T5-815-25 | 7762-1541 | 163 | 815 | .10 |
| T5-480-25 | 7762-1521 | 96 | 480 | .06 | T5-830-25 | 7762-0611 | 166 | 830 | .10 |
| T5-500-25 | 7762-1522 | 100 | 500 | .06 | T5-840-25 | 7762-1542 | 168 | 840 | .10 |
| T5-510-25 | 7762-1523 | 102 | 510 | .06 | T5-850-25 | 7762-0385 | 170 | 850 | .15 |
| T5-525-25 | 7762-1524 | 105 | 525 | .06 | T5-900-25 | 7762-1543 | 180 | 900 | .11 |
| T5-545-25 | 7762-1525 | 109 | 545 | .07 | T5-940-25 | 7762-1544 | 188 | 940 | .11 |
| T5-550-25 | 7762-1526 | 110 | 550 | .07 | T5-990-25 | 7762-1545 | 198 | 990 | .12 |
| T5-560-25 | 7762-1527 | 112 | 560 | .07 | T5-1075-25 | 7762-1546 | 215 | 1075 | .13 |
| T5-575-25 | 7762-1528 | 115 | 575 | .07 | T5-1100-25 | 7762-1547 | 220 | 1100 | .13 |
| T5-590-25 | 7762-0497 | 118 | 590 | .07 | T5-1215-25 | 7762-1548 | 243 | 1215 | .15 |
| T5-600-25 | 7762-0485 | 120 | 600 | .07 | T5-1315-25 | 7762-1549 | 263 | 1315 | .16 |
| T5-610-25 | 7762-1529 | 122 | 610 | .07 | T5-1380-25 | 7762-1550 | 276 | 1380 | .17 |

T5 Pitch — 32mm Wide

| Part No. | Product No. | Number of Teeth | Pitch Length (mm) | Weight (Lbs.) | Part No. | Product No. | Number of Teeth | Pitch Length (mm) | Weight (Lbs.) |
|-----------|-------------|-----------------|-------------------|---------------|-----------|-------------|-----------------|-------------------|---------------|
| T5-150-32 | 7762-1560 | 30 | 150 | .02 | T5-475-32 | 7762-1590 | 95 | 475 | .07 |
| T5-165-32 | 7762-1561 | 33 | 165 | .03 | T5-480-32 | 7762-1591 | 96 | 480 | .07 |
| T5-180-32 | 7762-1562 | 36 | 180 | .03 | T5-500-32 | 7762-1592 | 100 | 500 | .08 |
| T5-185-32 | 7762-1563 | 37 | 185 | .03 | T5-510-32 | 7762-1593 | 102 | 510 | .08 |
| T5-200-32 | 7762-1564 | 40 | 200 | .03 | T5-525-32 | 7762-1594 | 105 | 525 | .08 |
| T5-215-32 | 7762-1565 | 43 | 215 | .03 | T5-545-32 | 7762-1595 | 109 | 545 | .08 |
| T5-220-32 | 7762-1566 | 44 | 220 | .03 | T5-550-32 | 7762-1596 | 110 | 550 | .08 |
| T5-225-32 | 7762-1567 | 45 | 225 | .03 | T5-560-32 | 7762-1597 | 112 | 560 | .09 |
| T5-245-32 | 7762-1568 | 49 | 245 | .04 | T5-575-32 | 7762-1598 | 115 | 575 | .09 |
| T5-250-32 | 7762-1569 | 50 | 250 | .04 | T5-590-32 | 7762-0498 | 118 | 590 | .09 |
| T5-255-32 | 7762-1570 | 51 | 255 | .04 | T5-600-32 | 7762-0486 | 120 | 600 | .09 |
| T5-260-32 | 7762-1571 | 52 | 260 | .04 | T5-610-32 | 7762-1599 | 122 | 610 | .09 |
| T5-270-32 | 7762-1572 | 54 | 270 | .04 | T5-620-32 | 7762-1600 | 124 | 620 | .10 |
| T5-275-32 | 7762-1573 | 55 | 275 | .04 | T5-630-32 | 7762-1601 | 126 | 630 | .10 |
| T5-280-32 | 7762-1574 | 56 | 280 | .04 | T5-640-32 | 7762-1602 | 128 | 640 | .10 |
| T5-295-32 | 7762-1575 | 59 | 295 | .05 | T5-650-32 | 7762-1603 | 130 | 650 | .10 |
| T5-305-32 | 7762-1576 | 61 | 305 | .05 | T5-660-32 | 7762-1604 | 132 | 660 | .10 |
| T5-330-32 | 7762-1578 | 66 | 330 | .05 | T5-675-32 | 7762-1605 | 135 | 675 | .10 |
| T5-340-32 | 7762-1579 | 68 | 340 | .05 | T5-690-32 | 7762-1606 | 138 | 690 | .11 |
| T5-350-32 | 7762-1580 | 70 | 350 | .05 | T5-700-32 | 7762-1607 | 140 | 700 | .11 |
| T5-355-32 | 7762-1581 | 71 | 355 | .05 | T5-720-32 | 7762-1608 | 144 | 720 | .11 |
| T5-365-32 | 7762-1582 | 73 | 365 | .06 | T5-725-32 | 7762-0462 | 145 | 725 | .11 |
| T5-390-32 | 7762-1583 | 78 | 390 | .06 | T5-750-32 | 7762-1609 | 150 | 750 | .12 |
| T5-400-32 | 7762-1584 | 80 | 400 | .06 | T5-780-32 | 7762-1610 | 156 | 780 | .12 |
| T5-410-32 | 7762-1585 | 82 | 410 | .06 | T5-800-32 | 7762-0372 | 160 | 800 | .13 |
| T5-420-32 | 7762-1586 | 84 | 420 | .06 | T5-815-32 | 7762-1611 | 163 | 815 | .13 |
| T5-445-32 | 7762-1587 | 89 | 445 | .07 | T5-830-32 | 7762-0612 | 166 | 830 | .13 |
| T5-450-32 | 7762-1588 | 90 | 450 | .07 | T5-840-32 | 7762-1612 | 168 | 840 | .13 |
| T5-455-32 | 7762-1589 | 91 | 455 | .07 | T5-850-32 | 7762-0386 | 170 | 850 | .13 |

SYNCHRO-POWER BELTS

Synchro-Power® Polyurethane Belts

Product No. Series 7762 (continued)

T5 Pitch — 32mm Wide (continued)

| Part No. | Product No. | Number of Teeth | Pitch Length (mm) | Weight (Lbs.) | Part No. | Product No. | Number of Teeth | Pitch Length (mm) | Weight (Lbs.) |
|------------|-------------|-----------------|-------------------|---------------|------------|-------------|-----------------|-------------------|---------------|
| T5-900-32 | 7762-1613 | 180 | 900 | .14 | T5-1100-32 | 7762-1617 | 220 | 1100 | .17 |
| T5-940-32 | 7762-1614 | 188 | 940 | .14 | T5-1215-32 | 7762-1618 | 243 | 1215 | .19 |
| T5-990-32 | 7762-1615 | 198 | 990 | .15 | T5-1315-32 | 7762-1619 | 263 | 1315 | .20 |
| T5-1075-32 | 7762-1616 | 215 | 1075 | .17 | T5-1380-32 | 7762-1620 | 276 | 1380 | .21 |

T5 Pitch — 50mm Wide

| Part No. | Product No. | Number of Teeth | Pitch Length (mm) | Weight (Lbs.) | Part No. | Product No. | Number of Teeth | Pitch Length (mm) | Weight (Lbs.) |
|-----------|-------------|-----------------|-------------------|---------------|------------|-------------|-----------------|-------------------|---------------|
| T5-150-50 | 7762-1630 | 30 | 150 | .04 | T5-525-50 | 7762-1664 | 105 | 525 | .13 |
| T5-165-50 | 7762-1631 | 33 | 165 | .04 | T5-545-50 | 7762-1665 | 109 | 545 | .13 |
| T5-180-50 | 7762-1632 | 36 | 180 | .04 | T5-550-50 | 7762-1666 | 110 | 550 | .13 |
| T5-185-50 | 7762-1633 | 37 | 185 | .04 | T5-560-50 | 7762-1667 | 112 | 560 | .13 |
| T5-200-50 | 7762-1634 | 40 | 200 | .05 | T5-575-50 | 7762-1668 | 115 | 575 | .14 |
| T5-215-50 | 7762-1635 | 43 | 215 | .05 | T5-590-50 | 7762-0499 | 118 | 590 | .14 |
| T5-220-50 | 7762-1636 | 44 | 220 | .05 | T5-600-50 | 7762-0487 | 120 | 600 | .14 |
| T5-225-50 | 7762-1637 | 45 | 225 | .05 | T5-610-50 | 7762-1669 | 122 | 610 | .15 |
| T5-245-50 | 7762-1638 | 49 | 245 | .06 | T5-620-50 | 7762-1670 | 124 | 620 | .15 |
| T5-250-50 | 7762-1639 | 50 | 250 | .06 | T5-630-50 | 7762-1671 | 126 | 630 | .15 |
| T5-255-50 | 7762-1640 | 51 | 255 | .06 | T5-640-50 | 7762-1672 | 128 | 640 | .15 |
| T5-260-50 | 7762-1641 | 52 | 260 | .06 | T5-650-50 | 7762-1673 | 130 | 650 | .16 |
| T5-270-50 | 7762-1642 | 54 | 270 | .06 | T5-660-50 | 7762-1674 | 132 | 660 | .16 |
| T5-275-50 | 7762-1643 | 55 | 275 | .07 | T5-675-50 | 7762-1675 | 135 | 675 | .16 |
| T5-280-50 | 7762-1644 | 56 | 280 | .07 | T5-690-50 | 7762-1676 | 138 | 690 | .17 |
| T5-295-50 | 7762-1645 | 59 | 295 | .07 | T5-700-50 | 7762-1677 | 140 | 700 | .17 |
| T5-305-50 | 7762-1646 | 61 | 305 | .07 | T5-720-50 | 7762-1678 | 144 | 720 | .17 |
| T5-330-50 | 7762-1648 | 66 | 330 | .08 | T5-725-50 | 7762-0463 | 145 | 725 | .17 |
| T5-340-50 | 7762-1649 | 68 | 340 | .08 | T5-750-50 | 7762-1679 | 150 | 750 | .18 |
| T5-350-50 | 7762-1650 | 70 | 350 | .08 | T5-780-50 | 7762-1680 | 156 | 780 | .19 |
| T5-355-50 | 7762-1651 | 71 | 355 | .09 | T5-800-50 | 7762-0373 | 160 | 800 | .20 |
| T5-365-50 | 7762-1652 | 73 | 365 | .09 | T5-815-50 | 7762-1681 | 163 | 815 | .20 |
| T5-390-50 | 7762-1653 | 78 | 390 | .09 | T5-830-50 | 7762-0613 | 166 | 830 | .20 |
| T5-400-50 | 7762-1654 | 80 | 400 | .10 | T5-840-50 | 7762-1682 | 168 | 840 | .20 |
| T5-410-50 | 7762-1655 | 82 | 410 | .10 | T5-850-50 | 7762-0387 | 170 | 850 | .20 |
| T5-420-50 | 7762-1656 | 84 | 420 | .10 | T5-900-50 | 7762-1683 | 180 | 900 | .22 |
| T5-445-50 | 7762-1657 | 89 | 445 | .11 | T5-940-50 | 7762-1684 | 188 | 940 | .23 |
| T5-450-50 | 7762-1658 | 90 | 450 | .11 | T5-990-50 | 7762-1685 | 198 | 990 | .24 |
| T5-455-50 | 7762-1659 | 91 | 455 | .11 | T5-1075-50 | 7762-1686 | 215 | 1075 | .26 |
| T5-475-50 | 7762-1660 | 95 | 475 | .11 | T5-1100-50 | 7762-1687 | 220 | 1100 | .26 |
| T5-480-50 | 7762-1661 | 96 | 480 | .12 | T5-1215-50 | 7762-1688 | 243 | 1215 | .29 |
| T5-500-50 | 7762-1662 | 100 | 500 | .12 | T5-1315-50 | 7762-1689 | 263 | 1315 | .32 |
| T5-510-50 | 7762-1663 | 102 | 510 | .12 | T5-1380-50 | 7762-1690 | 276 | 1380 | .33 |

T5 Pitch — 75mm Wide

| Part No. | Product No. | Number of Teeth | Pitch Length (mm) | Weight (Lbs.) | Part No. | Product No. | Number of Teeth | Pitch Length (mm) | Weight (Lbs.) |
|-----------|-------------|-----------------|-------------------|---------------|-----------|-------------|-----------------|-------------------|---------------|
| T5-150-75 | 7762-1700 | 30 | 150 | .05 | T5-270-75 | 7762-1712 | 54 | 270 | .10 |
| T5-165-75 | 7762-1701 | 33 | 165 | .06 | T5-275-75 | 7762-1713 | 55 | 275 | .10 |
| T5-180-75 | 7762-1702 | 36 | 180 | .06 | T5-280-75 | 7762-1714 | 56 | 280 | .10 |
| T5-185-75 | 7762-1703 | 37 | 185 | .07 | T5-295-75 | 7762-1715 | 59 | 295 | .11 |
| T5-200-75 | 7762-1704 | 40 | 200 | .07 | T5-305-75 | 7762-1716 | 61 | 305 | .11 |
| T5-215-75 | 7762-1705 | 43 | 215 | .08 | T5-330-75 | 7762-1718 | 66 | 330 | .12 |
| T5-220-75 | 7762-1706 | 44 | 220 | .08 | T5-340-75 | 7762-1719 | 68 | 340 | .12 |
| T5-225-75 | 7762-1707 | 45 | 225 | .08 | T5-350-75 | 7762-1720 | 70 | 350 | .13 |
| T5-245-75 | 7762-1708 | 49 | 245 | .09 | T5-355-75 | 7762-1721 | 71 | 355 | .13 |
| T5-250-75 | 7762-1709 | 50 | 250 | .09 | T5-365-75 | 7762-1722 | 73 | 365 | .13 |
| T5-255-75 | 7762-1710 | 51 | 255 | .09 | T5-390-75 | 7762-1723 | 78 | 390 | .14 |
| T5-260-75 | 7762-1711 | 52 | 260 | .09 | T5-400-75 | 7762-1724 | 80 | 400 | .14 |

SYNCHRO-POWER BELTS

Synchro-Power® Polyurethane Belts

Product No. Series 7762 (continued)

T5 Pitch — 75mm Wide (continued)

| Part No. | Product No. | Number of Teeth | Pitch Length (mm) | Weight (Lbs.) | Part No. | Product No. | Number of Teeth | Pitch Length (mm) | Weight (Lbs.) |
|-----------|-------------|-----------------|-------------------|---------------|------------|-------------|-----------------|-------------------|---------------|
| T5-410-75 | 7762-1725 | 82 | 410 | .15 | T5-660-75 | 7762-1744 | 132 | 660 | .24 |
| T5-420-75 | 7762-1726 | 84 | 420 | .15 | T5-675-75 | 7762-1745 | 135 | 675 | .24 |
| T5-445-75 | 7762-1727 | 89 | 445 | .16 | T5-690-75 | 7762-1746 | 138 | 690 | .25 |
| T5-450-75 | 7762-1728 | 90 | 450 | .16 | T5-700-75 | 7762-1747 | 140 | 700 | .25 |
| T5-455-75 | 7762-1729 | 91 | 455 | .16 | T5-720-75 | 7762-1748 | 144 | 720 | .26 |
| T5-475-75 | 7762-1730 | 95 | 475 | .17 | T5-725-75 | 7762-0464 | 145 | 725 | .26 |
| T5-480-75 | 7762-1731 | 96 | 480 | .17 | T5-750-75 | 7762-1749 | 150 | 750 | .27 |
| T5-500-75 | 7762-1732 | 100 | 500 | .18 | T5-780-75 | 7762-1750 | 156 | 780 | .28 |
| T5-510-75 | 7762-1733 | 102 | 510 | .18 | T5-800-75 | 7762-0374 | 160 | 800 | .29 |
| T5-525-75 | 7762-1734 | 105 | 525 | .19 | T5-815-75 | 7762-1751 | 163 | 815 | .29 |
| T5-545-75 | 7762-1735 | 109 | 545 | .20 | T5-830-75 | 7762-0614 | 166 | 830 | .29 |
| T5-550-75 | 7762-1736 | 110 | 550 | .20 | T5-840-75 | 7762-1752 | 168 | 840 | .30 |
| T5-560-75 | 7762-1737 | 112 | 560 | .20 | T5-850-75 | 7762-0388 | 170 | 850 | .30 |
| T5-575-75 | 7762-1738 | 115 | 575 | .21 | T5-900-75 | 7762-1753 | 180 | 900 | .32 |
| T5-590-75 | 7762-0500 | 118 | 590 | .21 | T5-940-75 | 7762-1754 | 188 | 940 | .34 |
| T5-600-75 | 7762-0488 | 120 | 600 | .21 | T5-990-75 | 7762-1755 | 198 | 990 | .36 |
| T5-610-75 | 7762-1739 | 122 | 610 | .22 | T5-1075-75 | 7762-1756 | 215 | 1075 | .39 |
| T5-620-75 | 7762-1740 | 124 | 620 | .22 | T5-1100-75 | 7762-1757 | 220 | 1100 | .40 |
| T5-630-75 | 7762-1741 | 126 | 630 | .23 | T5-1215-75 | 7762-1758 | 243 | 1215 | .44 |
| T5-640-75 | 7762-1742 | 128 | 640 | .23 | T5-1315-75 | 7762-1759 | 263 | 1315 | .47 |
| T5-650-75 | 7762-1743 | 130 | 650 | .23 | T5-1380-75 | 7762-1760 | 276 | 1380 | .50 |

T5 Pitch — 200mm Wide

| Part No. | Product No. | Number of Teeth | Pitch Length (mm) | Weight (Lbs.) | Part No. | Product No. | Number of Teeth | Pitch Length (mm) | Weight (Lbs.) |
|------------|-------------|-----------------|-------------------|---------------|------------|-------------|-----------------|-------------------|---------------|
| T5-750-200 | 7762-1819 | 150 | 750 | .72 | T5-830-200 | 7762-0615 | 166 | 830 | .78 |
| T5-780-200 | 7762-1820 | 156 | 780 | .75 | | | | | |

T10 Pitch — 10mm Wide

| Part No. | Product No. | Number of Teeth | Pitch Length (mm) | Weight (Lbs.) | Part No. | Product No. | Number of Teeth | Pitch Length (mm) | Weight (Lbs.) |
|------------|-------------|-----------------|-------------------|---------------|-------------|-------------|-----------------|-------------------|---------------|
| T10-260-10 | 7762-2000 | 26 | 260 | .03 | T10-920-10 | 7762-2025 | 92 | 920 | .09 |
| T10-370-10 | 7762-2001 | 37 | 370 | .04 | T10-950-10 | 7762-0339 | 95 | 950 | .10 |
| T10-400-10 | 7762-2002 | 40 | 400 | .04 | T10-960-10 | 7762-2026 | 96 | 960 | .10 |
| T10-410-10 | 7762-2003 | 41 | 410 | .04 | T10-970-10 | 7762-2027 | 97 | 970 | .10 |
| T10-440-10 | 7762-2004 | 44 | 440 | .04 | T10-980-10 | 7762-2028 | 98 | 980 | .10 |
| T10-450-10 | 7762-2005 | 45 | 450 | .05 | T10-1000-10 | 7762-0352 | 100 | 1000 | .15 |
| T10-500-10 | 7762-2006 | 50 | 500 | .05 | T10-1010-10 | 7762-2029 | 101 | 1010 | .10 |
| T10-530-10 | 7762-2007 | 53 | 530 | .05 | T10-1080-10 | 7762-2030 | 108 | 1080 | .11 |
| T10-560-10 | 7762-2008 | 56 | 560 | .06 | T10-1100-10 | 7762-2031 | 110 | 1100 | .11 |
| T10-600-10 | 7762-2009 | 60 | 600 | .06 | T10-1110-10 | 7762-2032 | 111 | 1110 | .11 |
| T10-610-10 | 7762-2010 | 61 | 610 | .06 | T10-1140-10 | 7762-2033 | 114 | 1140 | .11 |
| T10-630-10 | 7762-2011 | 63 | 630 | .06 | T10-1150-10 | 7762-2034 | 115 | 1150 | .12 |
| T10-660-10 | 7762-2012 | 66 | 660 | .07 | T10-1210-10 | 7762-2035 | 121 | 1210 | .12 |
| T10-690-10 | 7762-2013 | 69 | 690 | .07 | T10-1240-10 | 7762-2036 | 124 | 1240 | .12 |
| T10-700-10 | 7762-2014 | 70 | 700 | .07 | T10-1250-10 | 7762-2037 | 125 | 1250 | .13 |
| T10-720-10 | 7762-2015 | 72 | 720 | .07 | T10-1300-10 | 7762-2038 | 130 | 1300 | .13 |
| T10-730-10 | 7762-2016 | 73 | 730 | .07 | T10-1320-10 | 7762-2039 | 132 | 1320 | .13 |
| T10-750-10 | 7762-2017 | 75 | 750 | .08 | T10-1350-10 | 7762-2040 | 135 | 1350 | .14 |
| T10-780-10 | 7762-2018 | 78 | 780 | .08 | T10-1390-10 | 7762-2041 | 139 | 1390 | .14 |
| T10-800-10 | 7762-0326 | 80 | 800 | .10 | T10-1400-10 | 7762-2042 | 140 | 1400 | .14 |
| T10-810-10 | 7762-2019 | 81 | 810 | .08 | T10-1420-10 | 7762-2043 | 142 | 1420 | .14 |
| T10-840-10 | 7762-2020 | 84 | 840 | .08 | T10-1450-10 | 7762-2044 | 145 | 1450 | .15 |
| T10-880-10 | 7762-2021 | 88 | 880 | .09 | T10-1460-10 | 7762-2045 | 146 | 1460 | .15 |
| T10-890-10 | 7762-2022 | 89 | 890 | .09 | T10-1500-10 | 7762-2046 | 150 | 1500 | .15 |
| T10-900-10 | 7762-2023 | 90 | 900 | .09 | T10-1560-10 | 7762-2047 | 156 | 1560 | .16 |
| T10-910-10 | 7762-2024 | 91 | 910 | .09 | T10-1600-10 | 7762-0616 | 160 | 1600 | .16 |

Synchro-Power® Polyurethane Belts

Product No. Series 7762 (continued)

T10 Pitch — 10mm Wide (continued)

| Part No. | Product No. | Number of Teeth | Pitch Length (mm) | Weight (Lbs.) |
|-------------|-------------|-----------------|-------------------|---------------|
| T10-1610-10 | 7762-2048 | 161 | 1610 | .16 |
| T10-1700-10 | 7762-0593 | 170 | 1700 | .09 |
| T10-1750-10 | 7762-2049 | 175 | 1750 | .18 |
| T10-1780-10 | 7762-2050 | 178 | 1780 | .18 |

| Part No. | Product No. | Number of Teeth | Pitch Length (mm) | Weight (Lbs.) |
|-------------|-------------|-----------------|-------------------|---------------|
| T10-1880-10 | 7762-2051 | 188 | 1880 | .19 |
| T10-1960-10 | 7762-2052 | 196 | 1960 | .20 |
| T10-2250-10 | 7762-2053 | 225 | 2250 | .23 |

T10 Pitch — 12mm Wide

| Part No. | Product No. | Number of Teeth | Pitch Length (mm) | Weight (Lbs.) |
|------------|-------------|-----------------|-------------------|---------------|
| T10-260-12 | 7762-2054 | 26 | 260 | .03 |
| T10-370-12 | 7762-2055 | 37 | 370 | .04 |
| T10-400-12 | 7762-2056 | 40 | 400 | .05 |
| T10-410-12 | 7762-2057 | 41 | 410 | .05 |
| T10-440-12 | 7762-2058 | 44 | 440 | .05 |
| T10-450-12 | 7762-2059 | 45 | 450 | .05 |
| T10-500-12 | 7762-2060 | 50 | 500 | .06 |
| T10-530-12 | 7762-2061 | 53 | 530 | .06 |
| T10-560-12 | 7762-2062 | 56 | 560 | .07 |
| T10-600-12 | 7762-2063 | 60 | 600 | .07 |
| T10-610-12 | 7762-2064 | 61 | 610 | .07 |
| T10-630-12 | 7762-2065 | 63 | 630 | .08 |
| T10-660-12 | 7762-2066 | 66 | 660 | .08 |
| T10-690-12 | 7762-2067 | 69 | 690 | .08 |
| T10-700-12 | 7762-2068 | 70 | 700 | .08 |
| T10-720-12 | 7762-2069 | 72 | 720 | .09 |
| T10-730-12 | 7762-2070 | 73 | 730 | .09 |
| T10-750-12 | 7762-2071 | 75 | 750 | .09 |
| T10-780-12 | 7762-2072 | 78 | 780 | .09 |
| T10-800-12 | 7762-0327 | 80 | 800 | .10 |
| T10-810-12 | 7762-2073 | 81 | 810 | .10 |
| T10-840-12 | 7762-2074 | 84 | 840 | .10 |
| T10-880-12 | 7762-2075 | 88 | 880 | .11 |
| T10-890-12 | 7762-2076 | 89 | 890 | .11 |
| T10-900-12 | 7762-2077 | 90 | 900 | .11 |
| T10-910-12 | 7762-2078 | 91 | 910 | .11 |
| T10-920-12 | 7762-2079 | 92 | 920 | .11 |
| T10-950-12 | 7762-0340 | 95 | 950 | .12 |
| T10-960-12 | 7762-2080 | 96 | 960 | .12 |
| T10-970-12 | 7762-2081 | 97 | 970 | .12 |

| Part No. | Product No. | Number of Teeth | Pitch Length (mm) | Weight (Lbs.) |
|-------------|-------------|-----------------|-------------------|---------------|
| T10-980-12 | 7762-2082 | 98 | 980 | .12 |
| T10-1000-12 | 7762-0353 | 100 | 1000 | .12 |
| T10-1010-12 | 7762-2083 | 101 | 1010 | .12 |
| T10-1080-12 | 7762-2084 | 108 | 1080 | .13 |
| T10-1100-12 | 7762-2085 | 110 | 1100 | .13 |
| T10-1110-12 | 7762-2086 | 111 | 1110 | .13 |
| T10-1140-12 | 7762-2087 | 114 | 1140 | .14 |
| T10-1150-12 | 7762-2088 | 115 | 1150 | .14 |
| T10-1210-12 | 7762-2089 | 121 | 1210 | .15 |
| T10-1240-12 | 7762-2090 | 124 | 1240 | .15 |
| T10-1250-12 | 7762-2091 | 125 | 1250 | .15 |
| T10-1300-12 | 7762-2092 | 130 | 1300 | .16 |
| T10-1320-12 | 7762-2093 | 132 | 1320 | .16 |
| T10-1350-12 | 7762-2094 | 135 | 1350 | .16 |
| T10-1390-12 | 7762-2095 | 139 | 1390 | .17 |
| T10-1400-12 | 7762-2096 | 140 | 1400 | .17 |
| T10-1420-12 | 7762-2097 | 142 | 1420 | .17 |
| T10-1450-12 | 7762-2098 | 145 | 1450 | .17 |
| T10-1460-12 | 7762-2099 | 146 | 1460 | .18 |
| T10-1500-12 | 7762-2100 | 150 | 1500 | .18 |
| T10-1560-12 | 7762-2101 | 156 | 1560 | .19 |
| T10-1600-12 | 7762-0617 | 160 | 1600 | .19 |
| T10-1610-12 | 7762-2102 | 161 | 1610 | .19 |
| T10-1700-12 | 7762-0594 | 170 | 1700 | .11 |
| T10-1750-12 | 7762-2103 | 175 | 1750 | .21 |
| T10-1780-12 | 7762-2104 | 178 | 1780 | .21 |
| T10-1880-12 | 7762-2105 | 188 | 1880 | .23 |
| T10-1960-12 | 7762-2106 | 196 | 1960 | .24 |
| T10-2250-12 | 7762-2107 | 225 | 2250 | .27 |

T10 Pitch — 14mm Wide

| Part No. | Product No. | Number of Teeth | Pitch Length (mm) | Weight (Lbs.) |
|------------|-------------|-----------------|-------------------|---------------|
| T10-260-14 | 7762-2108 | 26 | 260 | .04 |
| T10-370-14 | 7762-2109 | 37 | 370 | .05 |
| T10-400-14 | 7762-2110 | 40 | 400 | .06 |
| T10-410-14 | 7762-2111 | 41 | 410 | .06 |
| T10-440-14 | 7762-2112 | 44 | 440 | .06 |
| T10-450-14 | 7762-2113 | 45 | 450 | .06 |
| T10-500-14 | 7762-2114 | 50 | 500 | .07 |
| T10-530-14 | 7762-2115 | 53 | 530 | .07 |
| T10-560-14 | 7762-2116 | 56 | 560 | .08 |
| T10-600-14 | 7762-2117 | 60 | 600 | .08 |
| T10-610-14 | 7762-2118 | 61 | 610 | .09 |
| T10-630-14 | 7762-2119 | 63 | 630 | .09 |
| T10-660-14 | 7762-2120 | 66 | 660 | .09 |
| T10-690-14 | 7762-2121 | 69 | 690 | .10 |
| T10-700-14 | 7762-2122 | 70 | 700 | .10 |

| Part No. | Product No. | Number of Teeth | Pitch Length (mm) | Weight (Lbs.) |
|------------|-------------|-----------------|-------------------|---------------|
| T10-720-14 | 7762-2123 | 72 | 720 | .10 |
| T10-730-14 | 7762-2124 | 73 | 730 | .10 |
| T10-750-14 | 7762-2125 | 75 | 750 | .11 |
| T10-780-14 | 7762-2126 | 78 | 780 | .11 |
| T10-800-14 | 7762-0328 | 80 | 800 | .15 |
| T10-810-14 | 7762-2127 | 81 | 810 | .11 |
| T10-840-14 | 7762-2128 | 84 | 840 | .12 |
| T10-880-14 | 7762-2129 | 88 | 880 | .12 |
| T10-890-14 | 7762-2130 | 89 | 890 | .13 |
| T10-900-14 | 7762-2131 | 90 | 900 | .13 |
| T10-910-14 | 7762-2132 | 91 | 910 | .13 |
| T10-920-14 | 7762-2133 | 92 | 920 | .13 |
| T10-950-14 | 7762-0341 | 95 | 950 | .20 |
| T10-960-14 | 7762-2134 | 96 | 960 | .13 |
| T10-970-14 | 7762-2135 | 97 | 970 | .14 |

SYNCHRO-POWER BELTS

Synchro-Power® Polyurethane Belts

Product No. Series 7762 (continued)

T10 Pitch — 14mm Wide (continued)

| Part No. | Product No. | Number of Teeth | Pitch Length (mm) | Weight (Lbs.) |
|-------------|-------------|-----------------|-------------------|---------------|
| T10-980-14 | 7762-2136 | 98 | 980 | .14 |
| T10-1000-14 | 7762-0354 | 100 | 1000 | .20 |
| T10-1010-14 | 7762-2137 | 101 | 1010 | .14 |
| T10-1080-14 | 7762-2138 | 108 | 1080 | .15 |
| T10-1100-14 | 7762-2139 | 110 | 1100 | .15 |
| T10-1110-14 | 7762-2140 | 111 | 1110 | .16 |
| T10-1140-14 | 7762-2141 | 114 | 1140 | .16 |
| T10-1150-14 | 7762-2142 | 115 | 1150 | .16 |
| T10-1210-14 | 7762-2143 | 121 | 1210 | .17 |
| T10-1240-14 | 7762-2144 | 124 | 1240 | .17 |
| T10-1250-14 | 7762-2145 | 125 | 1250 | .18 |
| T10-1300-14 | 7762-2146 | 130 | 1300 | .18 |
| T10-1320-14 | 7762-2147 | 132 | 1320 | .19 |
| T10-1350-14 | 7762-2148 | 135 | 1350 | .19 |
| T10-1390-14 | 7762-2149 | 139 | 1390 | .20 |

| Part No. | Product No. | Number of Teeth | Pitch Length (mm) | Weight (Lbs.) |
|-------------|-------------|-----------------|-------------------|---------------|
| T10-1400-14 | 7762-2150 | 140 | 1400 | .20 |
| T10-1420-14 | 7762-2151 | 142 | 1420 | .20 |
| T10-1450-14 | 7762-2152 | 145 | 1450 | .20 |
| T10-1460-14 | 7762-2153 | 146 | 1460 | .21 |
| T10-1500-14 | 7762-2154 | 150 | 1500 | .21 |
| T10-1560-14 | 7762-2155 | 156 | 1560 | .22 |
| T10-1600-14 | 7762-0618 | 160 | 1600 | .27 |
| T10-1610-14 | 7762-2156 | 161 | 1610 | .23 |
| T10-1700-14 | 7762-0595 | 170 | 1700 | .13 |
| T10-1750-14 | 7762-2157 | 175 | 1750 | .25 |
| T10-1780-14 | 7762-2158 | 178 | 1780 | .25 |
| T10-1880-14 | 7762-2159 | 188 | 1880 | .26 |
| T10-1960-14 | 7762-2160 | 196 | 1960 | .28 |
| T10-2250-14 | 7762-2161 | 225 | 2250 | .32 |

T10 Pitch — 16mm Wide

| Part No. | Product No. | Number of Teeth | Pitch Length (mm) | Weight (Lbs.) |
|------------|-------------|-----------------|-------------------|---------------|
| T10-260-16 | 7762-2165 | 26 | 260 | .04 |
| T10-370-16 | 7762-2166 | 37 | 370 | .06 |
| T10-400-16 | 7762-2167 | 40 | 400 | .06 |
| T10-410-16 | 7762-2168 | 41 | 410 | .07 |
| T10-440-16 | 7762-2169 | 44 | 440 | .07 |
| T10-450-16 | 7762-2170 | 45 | 450 | .07 |
| T10-500-16 | 7762-2171 | 50 | 500 | .08 |
| T10-530-16 | 7762-2172 | 53 | 530 | .09 |
| T10-560-16 | 7762-2173 | 56 | 560 | .09 |
| T10-600-16 | 7762-2174 | 60 | 600 | .10 |
| T10-610-16 | 7762-2175 | 61 | 610 | .10 |
| T10-630-16 | 7762-2176 | 63 | 630 | .10 |
| T10-660-16 | 7762-2177 | 66 | 660 | .11 |
| T10-690-16 | 7762-2178 | 69 | 690 | .11 |
| T10-700-16 | 7762-2179 | 70 | 700 | .11 |
| T10-720-16 | 7762-2180 | 72 | 720 | .12 |
| T10-730-16 | 7762-2181 | 73 | 730 | .12 |
| T10-750-16 | 7762-2182 | 75 | 750 | .12 |
| T10-780-16 | 7762-2183 | 78 | 780 | .13 |
| T10-800-16 | 7762-0329 | 80 | 800 | .15 |
| T10-810-16 | 7762-2184 | 81 | 810 | .13 |
| T10-840-16 | 7762-2185 | 84 | 840 | .13 |
| T10-880-16 | 7762-2186 | 88 | 880 | .14 |
| T10-890-16 | 7762-2187 | 89 | 890 | .14 |
| T10-900-16 | 7762-2188 | 90 | 900 | .14 |
| T10-910-16 | 7762-2189 | 91 | 910 | .15 |
| T10-920-16 | 7762-2190 | 92 | 920 | .15 |
| T10-950-16 | 7762-0342 | 95 | 950 | .20 |
| T10-960-16 | 7762-2191 | 96 | 960 | .15 |
| T10-970-16 | 7762-2192 | 97 | 970 | .16 |

| Part No. | Product No. | Number of Teeth | Pitch Length (mm) | Weight (Lbs.) |
|-------------|-------------|-----------------|-------------------|---------------|
| T10-980-16 | 7762-2193 | 98 | 980 | .16 |
| T10-1000-16 | 7762-0355 | 100 | 1000 | .20 |
| T10-1010-16 | 7762-2194 | 101 | 1010 | .16 |
| T10-1080-16 | 7762-2195 | 108 | 1080 | .17 |
| T10-1100-16 | 7762-2196 | 110 | 1100 | .18 |
| T10-1110-16 | 7762-2197 | 111 | 1110 | .18 |
| T10-1140-16 | 7762-2198 | 114 | 1140 | .18 |
| T10-1150-16 | 7762-2199 | 115 | 1150 | .18 |
| T10-1210-16 | 7762-2200 | 121 | 1210 | .19 |
| T10-1240-16 | 7762-2201 | 124 | 1240 | .20 |
| T10-1250-16 | 7762-2202 | 125 | 1250 | .20 |
| T10-1300-16 | 7762-2203 | 130 | 1300 | .21 |
| T10-1320-16 | 7762-2204 | 132 | 1320 | .21 |
| T10-1350-16 | 7762-2205 | 135 | 1350 | .22 |
| T10-1390-16 | 7762-2206 | 139 | 1390 | .22 |
| T10-1400-16 | 7762-2207 | 140 | 1400 | .22 |
| T10-1420-16 | 7762-2208 | 142 | 1420 | .23 |
| T10-1450-16 | 7762-2209 | 145 | 1450 | .23 |
| T10-1460-16 | 7762-2210 | 146 | 1460 | .23 |
| T10-1500-16 | 7762-2211 | 150 | 1500 | .24 |
| T10-1560-16 | 7762-2212 | 156 | 1560 | .25 |
| T10-1600-16 | 7762-0619 | 160 | 1600 | .26 |
| T10-1610-16 | 7762-2213 | 161 | 1610 | .26 |
| T10-1700-16 | 7762-0596 | 170 | 1700 | .15 |
| T10-1750-16 | 7762-2214 | 175 | 1750 | .28 |
| T10-1780-16 | 7762-2215 | 178 | 1780 | .29 |
| T10-1880-16 | 7762-2216 | 188 | 1880 | .30 |
| T10-1960-16 | 7762-2217 | 196 | 1960 | .31 |
| T10-2250-16 | 7762-2218 | 225 | 2250 | .36 |

T10 Pitch — 20mm Wide

| Part No. | Product No. | Number of Teeth | Pitch Length (mm) | Weight (Lbs.) |
|------------|-------------|-----------------|-------------------|---------------|
| T10-260-20 | 7762-2220 | 26 | 260 | .05 |
| T10-370-20 | 7762-2221 | 37 | 370 | .07 |
| T10-400-20 | 7762-2222 | 40 | 400 | .08 |
| T10-410-20 | 7762-2223 | 41 | 410 | .08 |

| Part No. | Product No. | Number of Teeth | Pitch Length (mm) | Weight (Lbs.) |
|------------|-------------|-----------------|-------------------|---------------|
| T10-440-20 | 7762-2224 | 44 | 440 | .09 |
| T10-450-20 | 7762-2225 | 45 | 450 | .09 |
| T10-500-20 | 7762-2226 | 50 | 500 | .10 |
| T10-530-20 | 7762-2227 | 53 | 530 | .11 |

Synchro-Power® Polyurethane Belts

Product No. Series 7762 (continued)

T10 Pitch — 20mm Wide (continued)

| Part No. | Product No. | Number of Teeth | Pitch Length (mm) | Weight (Lbs.) | Part No. | Product No. | Number of Teeth | Pitch Length (mm) | Weight (Lbs.) |
|-------------|-------------|-----------------|-------------------|---------------|-------------|-------------|-----------------|-------------------|---------------|
| T10-560-20 | 7762-2228 | 56 | 560 | .11 | T10-1100-20 | 7762-2251 | 110 | 1100 | .22 |
| T10-600-20 | 7762-2229 | 60 | 600 | .12 | T10-1110-20 | 7762-2252 | 111 | 1110 | .22 |
| T10-610-20 | 7762-2230 | 61 | 610 | .12 | T10-1140-20 | 7762-2253 | 114 | 1140 | .23 |
| T10-630-20 | 7762-2231 | 63 | 630 | .13 | T10-1150-20 | 7762-2254 | 115 | 1150 | .23 |
| T10-660-20 | 7762-2232 | 66 | 660 | .13 | T10-1210-20 | 7762-2255 | 121 | 1210 | .24 |
| T10-690-20 | 7762-2233 | 69 | 690 | .14 | T10-1240-20 | 7762-2256 | 124 | 1240 | .25 |
| T10-700-20 | 7762-2234 | 70 | 700 | .14 | T10-1250-20 | 7762-2257 | 125 | 1250 | .25 |
| T10-720-20 | 7762-2235 | 72 | 720 | .14 | T10-1300-20 | 7762-2258 | 130 | 1300 | .26 |
| T10-730-20 | 7762-2236 | 73 | 730 | .15 | T10-1320-20 | 7762-2259 | 132 | 1320 | .27 |
| T10-750-20 | 7762-2237 | 75 | 750 | .15 | T10-1350-20 | 7762-2260 | 135 | 1350 | .27 |
| T10-780-20 | 7762-2238 | 78 | 780 | .16 | T10-1390-20 | 7762-2261 | 139 | 1390 | .28 |
| T10-800-20 | 7762-0330 | 80 | 800 | .20 | T10-1400-20 | 7762-2262 | 140 | 1400 | .28 |
| T10-810-20 | 7762-2239 | 81 | 810 | .16 | T10-1420-20 | 7762-2263 | 142 | 1420 | .29 |
| T10-840-20 | 7762-2240 | 84 | 840 | .17 | T10-1450-20 | 7762-2264 | 145 | 1450 | .29 |
| T10-880-20 | 7762-2241 | 88 | 880 | .18 | T10-1460-20 | 7762-2265 | 146 | 1460 | .29 |
| T10-890-20 | 7762-2242 | 89 | 890 | .18 | T10-1500-20 | 7762-2266 | 150 | 1500 | .30 |
| T10-900-20 | 7762-2243 | 90 | 900 | .18 | T10-1560-20 | 7762-2267 | 156 | 1560 | .31 |
| T10-910-20 | 7762-2244 | 91 | 910 | .18 | T10-1600-20 | 7762-0620 | 160 | 1600 | .32 |
| T10-920-20 | 7762-2245 | 92 | 920 | .18 | T10-1610-20 | 7762-2268 | 161 | 1610 | .32 |
| T10-950-20 | 7762-0343 | 95 | 950 | .25 | T10-1700-20 | 7762-0597 | 170 | 1700 | .19 |
| T10-960-20 | 7762-2246 | 96 | 960 | .19 | T10-1750-20 | 7762-2269 | 175 | 1750 | .35 |
| T10-970-20 | 7762-2247 | 97 | 970 | .19 | T10-1780-20 | 7762-2270 | 178 | 1780 | .36 |
| T10-980-20 | 7762-2248 | 98 | 980 | .20 | T10-1880-20 | 7762-2271 | 188 | 1880 | .38 |
| T10-1000-20 | 7762-0356 | 100 | 1000 | .25 | T10-1960-20 | 7762-2272 | 196 | 1960 | .39 |
| T10-1010-20 | 7762-2249 | 101 | 1010 | .20 | T10-2250-20 | 7762-2273 | 225 | 2250 | .45 |
| T10-1080-20 | 7762-2250 | 108 | 1080 | .22 | | | | | |

T10 Pitch — 25mm Wide

| Part No. | Product No. | Number of Teeth | Pitch Length (mm) | Weight (Lbs.) | Part No. | Product No. | Number of Teeth | Pitch Length (mm) | Weight (Lbs.) |
|------------|-------------|-----------------|-------------------|---------------|-------------|-------------|-----------------|-------------------|---------------|
| T10-260-25 | 7762-2275 | 26 | 260 | .07 | T10-960-25 | 7762-2301 | 96 | 960 | .24 |
| T10-370-25 | 7762-2276 | 37 | 370 | .09 | T10-970-25 | 7762-2302 | 97 | 970 | .24 |
| T10-400-25 | 7762-2277 | 40 | 400 | .10 | T10-980-25 | 7762-2303 | 98 | 980 | .25 |
| T10-410-25 | 7762-2278 | 41 | 410 | .10 | T10-1000-25 | 7762-0357 | 100 | 1000 | .25 |
| T10-440-25 | 7762-2279 | 44 | 440 | .11 | T10-1010-25 | 7762-2304 | 101 | 1010 | .25 |
| T10-450-25 | 7762-2280 | 45 | 450 | .11 | T10-1080-25 | 7762-2305 | 108 | 1080 | .27 |
| T10-500-25 | 7762-2281 | 50 | 500 | .13 | T10-1100-25 | 7762-2306 | 110 | 1100 | .28 |
| T10-530-25 | 7762-2282 | 53 | 530 | .13 | T10-1110-25 | 7762-2307 | 111 | 1110 | .28 |
| T10-560-25 | 7762-2283 | 56 | 560 | .14 | T10-1140-25 | 7762-2308 | 114 | 1140 | .29 |
| T10-600-25 | 7762-2284 | 60 | 600 | .15 | T10-1150-25 | 7762-2309 | 115 | 1150 | .29 |
| T10-610-25 | 7762-2285 | 61 | 610 | .15 | T10-1210-25 | 7762-2310 | 121 | 1210 | .30 |
| T10-630-25 | 7762-2286 | 63 | 630 | .16 | T10-1240-25 | 7762-2311 | 124 | 1240 | .31 |
| T10-660-25 | 7762-2287 | 66 | 660 | .17 | T10-1250-25 | 7762-2312 | 125 | 1250 | .31 |
| T10-690-25 | 7762-2288 | 69 | 690 | .17 | T10-1300-25 | 7762-2313 | 130 | 1300 | .33 |
| T10-700-25 | 7762-2289 | 70 | 700 | .18 | T10-1320-25 | 7762-2314 | 132 | 1320 | .33 |
| T10-720-25 | 7762-2290 | 72 | 720 | .18 | T10-1350-25 | 7762-2315 | 135 | 1350 | .34 |
| T10-730-25 | 7762-2291 | 73 | 730 | .18 | T10-1390-25 | 7762-2316 | 139 | 1390 | .35 |
| T10-750-25 | 7762-2292 | 75 | 750 | .19 | T10-1400-25 | 7762-2317 | 140 | 1400 | .35 |
| T10-780-25 | 7762-2293 | 78 | 780 | .20 | T10-1420-25 | 7762-2318 | 142 | 1420 | .36 |
| T10-800-25 | 7762-0331 | 80 | 800 | .25 | T10-1450-25 | 7762-2319 | 145 | 1450 | .36 |
| T10-810-25 | 7762-2294 | 81 | 810 | .20 | T10-1460-25 | 7762-2320 | 146 | 1460 | .37 |
| T10-840-25 | 7762-2295 | 84 | 840 | .21 | T10-1500-25 | 7762-2321 | 150 | 1500 | .38 |
| T10-880-25 | 7762-2296 | 88 | 880 | .22 | T10-1560-25 | 7762-2322 | 156 | 1560 | .39 |
| T10-890-25 | 7762-2297 | 89 | 890 | .22 | T10-1600-25 | 7762-0621 | 160 | 1600 | .40 |
| T10-900-25 | 7762-2298 | 90 | 900 | .23 | T10-1610-25 | 7762-2323 | 161 | 1610 | .40 |
| T10-910-25 | 7762-2299 | 91 | 910 | .23 | T10-1700-25 | 7762-0598 | 170 | 1700 | .24 |
| T10-920-25 | 7762-2300 | 92 | 920 | .23 | T10-1750-25 | 7762-2324 | 175 | 1750 | .44 |
| T10-950-25 | 7762-0344 | 95 | 950 | .25 | T10-1780-25 | 7762-2325 | 178 | 1780 | .45 |

SYNCHRO-POWER BELTS

Synchro-Power® Polyurethane Belts

Product No. Series 7762 (continued)

T10 Pitch — 25mm Wide (continued)

| Part No. | Product No. | Number of Teeth | Pitch Length (mm) | Weight (Lbs.) |
|-------------|-------------|-----------------|-------------------|---------------|
| T10-1880-25 | 7762-2326 | 188 | 1880 | .47 |
| T10-1960-25 | 7762-2327 | 196 | 1960 | .49 |

| Part No. | Product No. | Number of Teeth | Pitch Length (mm) | Weight (Lbs.) |
|-------------|-------------|-----------------|-------------------|---------------|
| T10-2250-25 | 7762-2328 | 225 | 2250 | .56 |

T10 Pitch — 32mm Wide

| Part No. | Product No. | Number of Teeth | Pitch Length (mm) | Weight (Lbs.) |
|------------|-------------|-----------------|-------------------|---------------|
| T10-260-32 | 7762-2330 | 26 | 260 | .08 |
| T10-370-32 | 7762-2331 | 37 | 370 | .12 |
| T10-400-32 | 7762-2332 | 40 | 400 | .13 |
| T10-410-32 | 7762-2333 | 41 | 410 | .13 |
| T10-440-32 | 7762-2334 | 44 | 440 | .14 |
| T10-450-32 | 7762-2335 | 45 | 450 | .14 |
| T10-500-32 | 7762-2336 | 50 | 500 | .16 |
| T10-530-32 | 7762-2337 | 53 | 530 | .17 |
| T10-560-32 | 7762-2338 | 56 | 560 | .18 |
| T10-600-32 | 7762-2339 | 60 | 600 | .19 |
| T10-610-32 | 7762-2340 | 61 | 610 | .20 |
| T10-630-32 | 7762-2341 | 63 | 630 | .20 |
| T10-660-32 | 7762-2342 | 66 | 660 | .21 |
| T10-690-32 | 7762-2343 | 69 | 690 | .22 |
| T10-700-32 | 7762-2344 | 70 | 700 | .22 |
| T10-720-32 | 7762-2345 | 72 | 720 | .23 |
| T10-730-32 | 7762-2346 | 73 | 730 | .23 |
| T10-750-32 | 7762-2347 | 75 | 750 | .24 |
| T10-780-32 | 7762-2348 | 78 | 780 | .25 |
| T10-800-32 | 7762-0332 | 80 | 800 | .25 |
| T10-810-32 | 7762-2349 | 81 | 810 | .26 |
| T10-840-32 | 7762-2350 | 84 | 840 | .27 |
| T10-880-32 | 7762-2351 | 88 | 880 | .28 |
| T10-890-32 | 7762-2352 | 89 | 890 | .29 |
| T10-900-32 | 7762-2353 | 90 | 900 | .29 |
| T10-910-32 | 7762-2354 | 91 | 910 | .29 |
| T10-920-32 | 7762-2355 | 92 | 920 | .30 |
| T10-950-32 | 7762-0345 | 95 | 950 | .30 |
| T10-960-32 | 7762-2356 | 96 | 960 | .31 |
| T10-970-32 | 7762-2357 | 97 | 970 | .31 |

| Part No. | Product No. | Number of Teeth | Pitch Length (mm) | Weight (Lbs.) |
|-------------|-------------|-----------------|-------------------|---------------|
| T10-980-32 | 7762-2358 | 98 | 980 | .31 |
| T10-1000-32 | 7762-0358 | 100 | 1000 | .30 |
| T10-1010-32 | 7762-2359 | 101 | 1010 | .32 |
| T10-1080-32 | 7762-2360 | 108 | 1080 | .35 |
| T10-1100-32 | 7762-2361 | 110 | 1100 | .35 |
| T10-1110-32 | 7762-2362 | 111 | 1110 | .36 |
| T10-1140-32 | 7762-2363 | 114 | 1140 | .37 |
| T10-1150-32 | 7762-2364 | 115 | 1150 | .37 |
| T10-1210-32 | 7762-2365 | 121 | 1210 | .39 |
| T10-1240-32 | 7762-2366 | 124 | 1240 | .40 |
| T10-1250-32 | 7762-2367 | 125 | 1250 | .40 |
| T10-1300-32 | 7762-2368 | 130 | 1300 | .42 |
| T10-1320-32 | 7762-2369 | 132 | 1320 | .42 |
| T10-1350-32 | 7762-2370 | 135 | 1350 | .43 |
| T10-1390-32 | 7762-2371 | 139 | 1390 | .45 |
| T10-1400-32 | 7762-2372 | 140 | 1400 | .45 |
| T10-1420-32 | 7762-2373 | 142 | 1420 | .46 |
| T10-1450-32 | 7762-2374 | 145 | 1450 | .47 |
| T10-1460-32 | 7762-2375 | 146 | 1460 | .47 |
| T10-1500-32 | 7762-2376 | 150 | 1500 | .48 |
| T10-1560-32 | 7762-2377 | 156 | 1560 | .50 |
| T10-1600-32 | 7762-0622 | 160 | 1600 | .52 |
| T10-1610-32 | 7762-2378 | 161 | 1610 | .52 |
| T10-1700-32 | 7762-0599 | 170 | 1700 | .33 |
| T10-1750-32 | 7762-2379 | 175 | 1750 | .56 |
| T10-1780-32 | 7762-2380 | 178 | 1780 | .57 |
| T10-1880-32 | 7762-2381 | 188 | 1880 | .60 |
| T10-1960-32 | 7762-2382 | 196 | 1960 | .63 |
| T10-2250-32 | 7762-2383 | 225 | 2250 | .72 |

T10 Pitch — 50mm Wide

| Part No. | Product No. | Number of Teeth | Pitch Length (mm) | Weight (Lbs.) |
|------------|-------------|-----------------|-------------------|---------------|
| T10-260-50 | 7762-2385 | 26 | 260 | .13 |
| T10-370-50 | 7762-2386 | 37 | 370 | .19 |
| T10-400-50 | 7762-2387 | 40 | 400 | .20 |
| T10-410-50 | 7762-2388 | 41 | 410 | .21 |
| T10-440-50 | 7762-2389 | 44 | 440 | .22 |
| T10-450-50 | 7762-2390 | 45 | 450 | .23 |
| T10-500-50 | 7762-2391 | 50 | 500 | .25 |
| T10-530-50 | 7762-2392 | 53 | 530 | .27 |
| T10-560-50 | 7762-2393 | 56 | 560 | .28 |
| T10-600-50 | 7762-2394 | 60 | 600 | .30 |
| T10-610-50 | 7762-2395 | 61 | 610 | .31 |
| T10-630-50 | 7762-2396 | 63 | 630 | .32 |
| T10-660-50 | 7762-2397 | 66 | 660 | .33 |
| T10-690-50 | 7762-2398 | 69 | 690 | .35 |
| T10-700-50 | 7762-2399 | 70 | 700 | .35 |
| T10-720-50 | 7762-2400 | 72 | 720 | .36 |
| T10-730-50 | 7762-2401 | 73 | 730 | .37 |

| Part No. | Product No. | Number of Teeth | Pitch Length (mm) | Weight (Lbs.) |
|-------------|-------------|-----------------|-------------------|---------------|
| T10-750-50 | 7762-2402 | 75 | 750 | .38 |
| T10-780-50 | 7762-2403 | 78 | 780 | .39 |
| T10-800-50 | 7762-0333 | 80 | 800 | .17 |
| T10-810-50 | 7762-2404 | 81 | 810 | .41 |
| T10-840-50 | 7762-2405 | 84 | 840 | .42 |
| T10-880-50 | 7762-2406 | 88 | 880 | .44 |
| T10-890-50 | 7762-2407 | 89 | 890 | .45 |
| T10-900-50 | 7762-2408 | 90 | 900 | .45 |
| T10-910-50 | 7762-2409 | 91 | 910 | .46 |
| T10-920-50 | 7762-2410 | 92 | 920 | .46 |
| T10-950-50 | 7762-0346 | 95 | 950 | .50 |
| T10-960-50 | 7762-2411 | 96 | 960 | .48 |
| T10-970-50 | 7762-2412 | 97 | 970 | .49 |
| T10-980-50 | 7762-2413 | 98 | 980 | .49 |
| T10-1000-50 | 7762-0359 | 100 | 1000 | .55 |
| T10-1010-50 | 7762-2414 | 101 | 1010 | .51 |
| T10-1080-50 | 7762-2415 | 108 | 1080 | .54 |

Synchro-Power® Polyurethane Belts

Product No. Series 7762 (continued)

T10 Pitch — 50mm Wide (continued)

| Part No. | Product No. | Number of Teeth | Pitch Length (mm) | Weight (Lbs.) | Part No. | Product No. | Number of Teeth | Pitch Length (mm) | Weight (Lbs.) |
|-------------|-------------|-----------------|-------------------|---------------|-------------|-------------|-----------------|-------------------|---------------|
| T10-1100-50 | 7762-2416 | 110 | 1100 | .55 | T10-1450-50 | 7762-2429 | 145 | 1450 | .73 |
| T10-1110-50 | 7762-2417 | 111 | 1110 | .56 | T10-1460-50 | 7762-2430 | 146 | 1460 | .73 |
| T10-1140-50 | 7762-2418 | 114 | 1140 | .57 | T10-1500-50 | 7762-2431 | 150 | 1500 | .75 |
| T10-1150-50 | 7762-2419 | 115 | 1150 | .58 | T10-1560-50 | 7762-2432 | 156 | 1560 | .78 |
| T10-1210-50 | 7762-2420 | 121 | 1210 | .61 | T10-1600-50 | 7762-0623 | 160 | 1600 | .81 |
| T10-1240-50 | 7762-2421 | 124 | 1240 | .62 | T10-1610-50 | 7762-2433 | 161 | 1610 | .81 |
| T10-1250-50 | 7762-2422 | 125 | 1250 | .63 | T10-1700-50 | 7762-0600 | 170 | 1700 | .50 |
| T10-1300-50 | 7762-2423 | 130 | 1300 | .65 | T10-1750-50 | 7762-2434 | 175 | 1750 | .88 |
| T10-1320-50 | 7762-2424 | 132 | 1320 | .66 | T10-1780-50 | 7762-2435 | 178 | 1780 | .89 |
| T10-1350-50 | 7762-2425 | 135 | 1350 | .68 | T10-1880-50 | 7762-2436 | 188 | 1880 | .94 |
| T10-1390-50 | 7762-2426 | 139 | 1390 | .70 | T10-1960-50 | 7762-2437 | 196 | 1960 | .98 |
| T10-1400-50 | 7762-2427 | 140 | 1400 | .70 | T10-2250-50 | 7762-2438 | 225 | 2250 | 1.13 |
| T10-1420-50 | 7762-2428 | 142 | 1420 | .71 | | | | | |

T10 Pitch — 75mm Wide

| Part No. | Product No. | Number of Teeth | Pitch Length (mm) | Weight (Lbs.) | Part No. | Product No. | Number of Teeth | Pitch Length (mm) | Weight (Lbs.) |
|------------|-------------|-----------------|-------------------|---------------|-------------|-------------|-----------------|-------------------|---------------|
| T10-260-75 | 7762-2450 | 26 | 260 | .20 | T10-980-75 | 7762-2478 | 98 | 980 | .74 |
| T10-370-75 | 7762-2451 | 37 | 370 | .28 | T10-1000-75 | 7762-0360 | 100 | 1000 | .75 |
| T10-400-75 | 7762-2452 | 40 | 400 | .30 | T10-1010-75 | 7762-2479 | 101 | 1010 | .76 |
| T10-410-75 | 7762-2453 | 41 | 410 | .31 | T10-1080-75 | 7762-2480 | 108 | 1080 | .81 |
| T10-440-75 | 7762-2454 | 44 | 440 | .33 | T10-1100-75 | 7762-2481 | 110 | 1100 | .83 |
| T10-450-75 | 7762-2455 | 45 | 450 | .34 | T10-1110-75 | 7762-2482 | 111 | 1110 | .84 |
| T10-500-75 | 7762-2456 | 50 | 500 | .38 | T10-1140-75 | 7762-2483 | 114 | 1140 | .86 |
| T10-530-75 | 7762-2457 | 53 | 530 | .40 | T10-1150-75 | 7762-2484 | 115 | 1150 | .87 |
| T10-560-75 | 7762-2458 | 56 | 560 | .42 | T10-1210-75 | 7762-2485 | 121 | 1210 | .91 |
| T10-600-75 | 7762-2459 | 60 | 600 | .45 | T10-1240-75 | 7762-2486 | 124 | 1240 | .93 |
| T10-610-75 | 7762-2460 | 61 | 610 | .46 | T10-1250-75 | 7762-2487 | 125 | 1250 | .94 |
| T10-630-75 | 7762-2461 | 63 | 630 | .47 | T10-1300-75 | 7762-2488 | 130 | 1300 | .98 |
| T10-660-75 | 7762-2462 | 66 | 660 | .50 | T10-1320-75 | 7762-2489 | 132 | 1320 | .99 |
| T10-690-75 | 7762-2463 | 69 | 690 | .52 | T10-1350-75 | 7762-2490 | 135 | 1350 | 1.02 |
| T10-700-75 | 7762-2464 | 70 | 700 | .53 | T10-1390-75 | 7762-2491 | 139 | 1390 | 1.05 |
| T10-720-75 | 7762-2465 | 72 | 720 | .54 | T10-1400-75 | 7762-2492 | 140 | 1400 | 1.05 |
| T10-730-75 | 7762-2466 | 73 | 730 | .55 | T10-1420-75 | 7762-2493 | 142 | 1420 | 1.07 |
| T10-750-75 | 7762-2467 | 75 | 750 | .56 | T10-1450-75 | 7762-2494 | 145 | 1450 | 1.09 |
| T10-780-75 | 7762-2468 | 78 | 780 | .59 | T10-1460-75 | 7762-2495 | 146 | 1460 | 1.10 |
| T10-800-75 | 7762-0334 | 80 | 800 | .60 | T10-1500-75 | 7762-2496 | 150 | 1500 | 1.13 |
| T10-810-75 | 7762-2469 | 81 | 810 | .61 | T10-1560-75 | 7762-2497 | 156 | 1560 | 1.17 |
| T10-840-75 | 7762-2470 | 84 | 840 | .63 | T10-1600-75 | 7762-0624 | 160 | 1600 | 1.21 |
| T10-880-75 | 7762-2471 | 88 | 880 | .66 | T10-1610-75 | 7762-2498 | 161 | 1610 | 1.21 |
| T10-890-75 | 7762-2472 | 89 | 890 | .67 | T10-1700-75 | 7762-0601 | 170 | 1700 | 1.26 |
| T10-900-75 | 7762-2473 | 90 | 900 | .68 | T10-1750-75 | 7762-2499 | 175 | 1750 | 1.32 |
| T10-910-75 | 7762-2474 | 91 | 910 | .69 | T10-1780-75 | 7762-2500 | 178 | 1780 | 1.34 |
| T10-920-75 | 7762-2475 | 92 | 920 | .69 | T10-1880-75 | 7762-2501 | 188 | 1880 | 1.42 |
| T10-950-75 | 7762-0347 | 95 | 950 | .71 | T10-1960-75 | 7762-2502 | 196 | 1960 | 1.48 |
| T10-960-75 | 7762-2476 | 96 | 960 | .72 | T10-2250-75 | 7762-2503 | 225 | 2250 | 1.69 |
| T10-970-75 | 7762-2477 | 97 | 970 | .73 | | | | | |

T10 Pitch — 100mm Wide

| Part No. | Product No. | Number of Teeth | Pitch Length (mm) | Weight (Lbs.) | Part No. | Product No. | Number of Teeth | Pitch Length (mm) | Weight (Lbs.) |
|-------------|-------------|-----------------|-------------------|---------------|-------------|-------------|-----------------|-------------------|---------------|
| T10-260-100 | 7762-2505 | 26 | 260 | .52 | T10-500-100 | 7762-2511 | 50 | 500 | 1.00 |
| T10-370-100 | 7762-2506 | 37 | 370 | .74 | T10-530-100 | 7762-2512 | 43 | 530 | 1.06 |
| T10-400-100 | 7762-2507 | 40 | 400 | .80 | T10-560-100 | 7762-2513 | 56 | 560 | 1.12 |
| T10-410-100 | 7762-2508 | 41 | 410 | .82 | T10-600-100 | 7762-2514 | 60 | 600 | 1.20 |
| T10-440-100 | 7762-2509 | 44 | 440 | .88 | T10-610-100 | 7762-2515 | 61 | 610 | 1.22 |
| T10-450-100 | 7762-2510 | 45 | 450 | .90 | T10-630-100 | 7762-2516 | 63 | 630 | 1.26 |

SYNCHRO-POWER BELTS

Synchro-Power® Polyurethane Belts

Product No. Series 7762 (continued)

T10 Pitch — 100mm Wide (continued)

| Part No. | Product No. | Number of Teeth | Pitch Length (mm) | Weight (Lbs.) | Part No. | Product No. | Number of Teeth | Pitch Length (mm) | Weight (Lbs.) |
|--------------|-------------|-----------------|-------------------|---------------|--------------|-------------|-----------------|-------------------|---------------|
| T10-660-100 | 7762-2517 | 66 | 660 | 1.33 | T10-1140-100 | 7762-2538 | 114 | 1140 | 2.29 |
| T10-690-100 | 7762-2518 | 69 | 690 | 1.39 | T10-1150-100 | 7762-2539 | 115 | 1150 | 2.31 |
| T10-700-100 | 7762-2519 | 70 | 700 | 1.41 | T10-1210-100 | 7762-2540 | 121 | 1210 | 2.43 |
| T10-720-100 | 7762-2520 | 72 | 720 | 1.45 | T10-1240-100 | 7762-2541 | 124 | 1240 | 1.24 |
| T10-730-100 | 7762-2521 | 73 | 730 | 1.47 | T10-1250-100 | 7762-2542 | 125 | 1250 | 1.25 |
| T10-750-100 | 7762-2522 | 75 | 750 | 1.51 | T10-1300-100 | 7762-2543 | 130 | 1300 | 1.31 |
| T10-780-100 | 7762-2523 | 78 | 780 | 1.57 | T10-1320-100 | 7762-2544 | 132 | 1320 | 1.33 |
| T10-800-100 | 7762-0335 | 80 | 800 | .34 | T10-1350-100 | 7762-2545 | 135 | 1350 | 1.36 |
| T10-810-100 | 7762-2524 | 81 | 810 | 1.63 | T10-1390-100 | 7762-2546 | 139 | 1390 | 1.40 |
| T10-840-100 | 7762-2525 | 84 | 840 | 1.69 | T10-1400-100 | 7762-2547 | 140 | 1400 | 1.41 |
| T10-880-100 | 7762-2526 | 88 | 880 | 1.77 | T10-1420-100 | 7762-2548 | 142 | 1420 | 1.43 |
| T10-890-100 | 7762-2527 | 89 | 890 | 1.79 | T10-1450-100 | 7762-2549 | 145 | 1450 | 1.46 |
| T10-900-100 | 7762-2528 | 90 | 900 | 1.81 | T10-1460-100 | 7762-2550 | 146 | 1460 | 1.47 |
| T10-910-100 | 7762-2529 | 91 | 910 | 1.83 | T10-1500-100 | 7762-2551 | 150 | 1500 | 1.51 |
| T10-920-100 | 7762-2530 | 92 | 920 | 1.85 | T10-1560-100 | 7762-2552 | 156 | 1560 | 1.57 |
| T10-950-100 | 7762-0348 | 95 | 950 | 1.00 | T10-1600-100 | 7762-0625 | 160 | 1600 | 1.62 |
| T10-960-100 | 7762-2531 | 96 | 960 | 1.93 | T10-1610-100 | 7762-2553 | 161 | 1610 | 1.62 |
| T10-970-100 | 7762-2532 | 97 | 970 | 1.95 | T10-1700-100 | 7762-0602 | 170 | 1700 | 1.00 |
| T10-980-100 | 7762-2533 | 98 | 980 | 1.97 | T10-1750-100 | 7762-2554 | 175 | 1750 | 1.76 |
| T10-1000-100 | 7762-0361 | 100 | 1000 | 1.10 | T10-1780-100 | 7762-2555 | 178 | 1780 | 1.79 |
| T10-1010-100 | 7762-2534 | 101 | 1010 | 2.03 | T10-1880-100 | 7762-2556 | 188 | 1880 | 1.89 |
| T10-1080-100 | 7762-2535 | 108 | 1080 | 2.17 | T10-1960-100 | 7762-2557 | 196 | 1960 | 1.97 |
| T10-1100-100 | 7762-2536 | 110 | 1100 | 2.21 | T10-2250-100 | 7762-2558 | 225 | 2250 | 2.26 |
| T10-1110-100 | 7762-2537 | 111 | 1110 | 2.23 | | | | | |

T10 Pitch — 200mm Wide

| Part No. | Product No. | Number of Teeth | Pitch Length (mm) | Weight (Lbs.) | Part No. | Product No. | Number of Teeth | Pitch Length (mm) | Weight (Lbs.) |
|-------------|-------------|-----------------|-------------------|---------------|--------------|-------------|-----------------|-------------------|---------------|
| T10-260-200 | 7762-2560 | 26 | 260 | .52 | T10-1560-200 | 7762-2607 | 156 | 1560 | 3.13 |
| T10-750-200 | 7762-2577 | 75 | 750 | 1.51 | T10-1700-200 | 7762-0603 | 170 | 1700 | 3.33 |

AT5 Pitch — 4mm Wide

| Part No. | Product No. | Number of Teeth | Pitch Length (mm) | Weight (Lbs.) | Part No. | Product No. | Number of Teeth | Pitch Length (mm) | Weight (Lbs.) |
|-----------|-------------|-----------------|-------------------|---------------|------------|-------------|-----------------|-------------------|---------------|
| AT5-255-4 | 7762-3001 | 51 | 255 | .01 | AT5-610-4 | 7762-3013 | 122 | 610 | .02 |
| AT5-275-4 | 7762-3002 | 55 | 275 | .01 | AT5-630-4 | 7762-3014 | 126 | 630 | .02 |
| AT5-280-4 | 7762-3003 | 56 | 280 | .01 | AT5-660-4 | 7762-3015 | 132 | 660 | .02 |
| AT5-300-4 | 7762-3004 | 60 | 300 | .01 | AT5-720-4 | 7762-3016 | 144 | 720 | .02 |
| AT5-340-4 | 7762-3005 | 68 | 340 | .01 | AT5-750-4 | 7762-3017 | 150 | 750 | .02 |
| AT5-375-4 | 7762-3006 | 75 | 375 | .01 | AT5-780-4 | 7762-3018 | 156 | 780 | .02 |
| AT5-390-4 | 7762-3007 | 78 | 390 | .01 | AT5-825-4 | 7762-3019 | 165 | 825 | .02 |
| AT5-420-4 | 7762-3008 | 84 | 420 | .01 | AT5-975-4 | 7762-3020 | 195 | 975 | .03 |
| AT5-455-4 | 7762-3009 | 91 | 455 | .01 | AT5-1050-4 | 7762-3021 | 210 | 1050 | .03 |
| AT5-500-4 | 7762-3010 | 100 | 500 | .02 | AT5-1125-4 | 7762-3022 | 225 | 1125 | .03 |
| AT5-545-4 | 7762-3011 | 109 | 545 | .02 | AT5-1500-4 | 7762-3311 | 300 | 1500 | .04 |
| AT5-600-4 | 7762-3012 | 120 | 600 | .02 | | | | | |

AT5 Pitch — 6mm Wide

| Part No. | Product No. | Number of Teeth | Pitch Length (mm) | Weight (Lbs.) | Part No. | Product No. | Number of Teeth | Pitch Length (mm) | Weight (Lbs.) |
|-----------|-------------|-----------------|-------------------|---------------|-----------|-------------|-----------------|-------------------|---------------|
| AT5-255-6 | 7762-3025 | 51 | 255 | .01 | AT5-375-6 | 7762-3030 | 75 | 375 | .02 |
| AT5-275-6 | 7762-3026 | 55 | 275 | .01 | AT5-390-6 | 7762-3031 | 78 | 390 | .02 |
| AT5-280-6 | 7762-3027 | 56 | 280 | .01 | AT5-420-6 | 7762-3032 | 84 | 420 | .02 |
| AT5-300-6 | 7762-3028 | 60 | 300 | .01 | AT5-455-6 | 7762-3033 | 91 | 455 | .02 |
| AT5-340-6 | 7762-3029 | 68 | 340 | .02 | AT5-500-6 | 7762-3034 | 100 | 500 | .02 |

Synchro-Power® Polyurethane Belts

Product No. Series 7762 (continued)

AT5 Pitch — 6mm Wide (continued)

| Part No. | Product No. | Number of Teeth | Pitch Length (mm) | Weight (Lbs.) |
|-----------|-------------|-----------------|-------------------|---------------|
| AT5-545-6 | 7762-3035 | 109 | 545 | .02 |
| AT5-600-6 | 7762-3036 | 120 | 600 | .03 |
| AT5-610-6 | 7762-3037 | 122 | 610 | .03 |
| AT5-630-6 | 7762-3038 | 126 | 630 | .03 |
| AT5-660-6 | 7762-3039 | 132 | 660 | .03 |
| AT5-720-6 | 7762-3040 | 144 | 720 | .03 |
| AT5-750-6 | 7762-3041 | 150 | 750 | .03 |

| Part No. | Product No. | Number of Teeth | Pitch Length (mm) | Weight (Lbs.) |
|------------|-------------|-----------------|-------------------|---------------|
| AT5-780-6 | 7762-3042 | 156 | 780 | .04 |
| AT5-825-6 | 7762-3043 | 165 | 825 | .04 |
| AT5-975-6 | 7762-3044 | 195 | 975 | .04 |
| AT5-1050-6 | 7762-3045 | 210 | 1050 | .05 |
| AT5-1125-6 | 7762-3046 | 225 | 1125 | .05 |
| AT5-1500-6 | 7762-3312 | 300 | 1500 | .06 |

AT5 Pitch — 8mm Wide

| Part No. | Product No. | Number of Teeth | Pitch Length (mm) | Weight (Lbs.) |
|-----------|-------------|-----------------|-------------------|---------------|
| AT5-255-8 | 7762-3049 | 51 | 255 | .02 |
| AT5-275-8 | 7762-3050 | 55 | 275 | .02 |
| AT5-280-8 | 7762-3051 | 56 | 280 | .02 |
| AT5-300-8 | 7762-3052 | 60 | 300 | .02 |
| AT5-340-8 | 7762-3053 | 68 | 340 | .02 |
| AT5-375-8 | 7762-3054 | 75 | 375 | .02 |
| AT5-390-8 | 7762-3055 | 78 | 390 | .02 |
| AT5-420-8 | 7762-3056 | 84 | 420 | .03 |
| AT5-455-8 | 7762-3057 | 91 | 455 | .03 |
| AT5-500-8 | 7762-3058 | 100 | 500 | .03 |
| AT5-545-8 | 7762-3059 | 109 | 545 | .03 |
| AT5-600-8 | 7762-3060 | 120 | 600 | .04 |

| Part No. | Product No. | Number of Teeth | Pitch Length (mm) | Weight (Lbs.) |
|------------|-------------|-----------------|-------------------|---------------|
| AT5-610-8 | 7762-3061 | 122 | 610 | .04 |
| AT5-630-8 | 7762-3062 | 126 | 630 | .04 |
| AT5-660-8 | 7762-3063 | 132 | 660 | .04 |
| AT5-720-8 | 7762-3064 | 144 | 720 | .04 |
| AT5-750-8 | 7762-3065 | 150 | 750 | .05 |
| AT5-780-8 | 7762-3066 | 156 | 780 | .05 |
| AT5-825-8 | 7762-3067 | 165 | 825 | .05 |
| AT5-975-8 | 7762-3068 | 195 | 975 | .06 |
| AT5-1050-8 | 7762-3069 | 210 | 1050 | .06 |
| AT5-1125-8 | 7762-3070 | 225 | 1125 | .07 |
| AT5-1500-8 | 7762-3313 | 300 | 1500 | .09 |

AT5 Pitch — 10mm Wide

| Part No. | Product No. | Number of Teeth | Pitch Length (mm) | Weight (Lbs.) |
|------------|-------------|-----------------|-------------------|---------------|
| AT5-255-10 | 7762-3073 | 51 | 255 | .02 |
| AT5-275-10 | 7762-3074 | 55 | 275 | .02 |
| AT5-280-10 | 7762-3075 | 56 | 280 | .02 |
| AT5-300-10 | 7762-3076 | 60 | 300 | .02 |
| AT5-340-10 | 7762-3077 | 68 | 340 | .03 |
| AT5-375-10 | 7762-3078 | 75 | 375 | .03 |
| AT5-390-10 | 7762-3079 | 78 | 390 | .03 |
| AT5-420-10 | 7762-3080 | 84 | 420 | .03 |
| AT5-455-10 | 7762-3081 | 91 | 455 | .03 |
| AT5-500-10 | 7762-3082 | 100 | 500 | .04 |
| AT5-545-10 | 7762-3083 | 109 | 545 | .04 |
| AT5-600-10 | 7762-3084 | 120 | 600 | .05 |

| Part No. | Product No. | Number of Teeth | Pitch Length (mm) | Weight (Lbs.) |
|-------------|-------------|-----------------|-------------------|---------------|
| AT5-610-10 | 7762-3085 | 122 | 610 | .05 |
| AT5-630-10 | 7762-3086 | 126 | 630 | .05 |
| AT5-660-10 | 7762-3087 | 132 | 660 | .05 |
| AT5-720-10 | 7762-3088 | 144 | 720 | .05 |
| AT5-750-10 | 7762-3089 | 150 | 750 | .06 |
| AT5-780-10 | 7762-3090 | 156 | 780 | .06 |
| AT5-825-10 | 7762-3091 | 165 | 825 | .06 |
| AT5-975-10 | 7762-3092 | 195 | 975 | .07 |
| AT5-1050-10 | 7762-3093 | 210 | 1050 | .08 |
| AT5-1125-10 | 7762-3094 | 225 | 1125 | .09 |
| AT5-1500-10 | 7762-3314 | 300 | 1500 | .11 |

AT5 Pitch — 12mm Wide

| Part No. | Product No. | Number of Teeth | Pitch Length (mm) | Weight (Lbs.) |
|------------|-------------|-----------------|-------------------|---------------|
| AT5-255-12 | 7762-3097 | 51 | 255 | .02 |
| AT5-275-12 | 7762-3098 | 55 | 275 | .02 |
| AT5-280-12 | 7762-3099 | 56 | 280 | .03 |
| AT5-300-12 | 7762-3100 | 60 | 300 | .03 |
| AT5-340-12 | 7762-3101 | 68 | 340 | .03 |
| AT5-375-12 | 7762-3102 | 75 | 375 | .03 |
| AT5-390-12 | 7762-3103 | 78 | 390 | .04 |
| AT5-420-12 | 7762-3104 | 84 | 420 | .04 |
| AT5-455-12 | 7762-3105 | 91 | 455 | .04 |
| AT5-500-12 | 7762-3106 | 100 | 500 | .05 |
| AT5-545-12 | 7762-3107 | 109 | 545 | .05 |
| AT5-600-12 | 7762-3108 | 120 | 600 | .05 |

| Part No. | Product No. | Number of Teeth | Pitch Length (mm) | Weight (Lbs.) |
|-------------|-------------|-----------------|-------------------|---------------|
| AT5-610-12 | 7762-3109 | 122 | 610 | .06 |
| AT5-630-12 | 7762-3110 | 126 | 630 | .06 |
| AT5-660-12 | 7762-3111 | 132 | 660 | .06 |
| AT5-720-12 | 7762-3112 | 144 | 720 | .07 |
| AT5-750-12 | 7762-3113 | 150 | 750 | .07 |
| AT5-780-12 | 7762-3114 | 156 | 780 | .07 |
| AT5-825-12 | 7762-3115 | 165 | 825 | .07 |
| AT5-975-12 | 7762-3116 | 195 | 975 | .09 |
| AT5-1050-12 | 7762-3117 | 210 | 1050 | .10 |
| AT5-1125-12 | 7762-3118 | 225 | 1125 | .10 |
| AT5-1500-12 | 7762-3315 | 300 | 1500 | .13 |

Synchro-Power® Polyurethane Belts

Product No. Series 7762 (continued)

AT5 Pitch — 16mm Wide

| Part No. | Product No. | Number of Teeth | Pitch Length (mm) | Weight (Lbs.) |
|------------|-------------|-----------------|-------------------|---------------|
| AT5-255-16 | 7762-3121 | 51 | 255 | .03 |
| AT5-275-16 | 7762-3122 | 55 | 275 | .03 |
| AT5-280-16 | 7762-3123 | 56 | 280 | .03 |
| AT5-300-16 | 7762-3124 | 60 | 300 | .04 |
| AT5-340-16 | 7762-3125 | 68 | 340 | .04 |
| AT5-375-16 | 7762-3126 | 75 | 375 | .05 |
| AT5-390-16 | 7762-3127 | 78 | 390 | .05 |
| AT5-420-16 | 7762-3128 | 84 | 420 | .05 |
| AT5-455-16 | 7762-3129 | 91 | 455 | .06 |
| AT5-500-16 | 7762-3130 | 100 | 500 | .06 |
| AT5-545-16 | 7762-3131 | 109 | 545 | .07 |
| AT5-600-16 | 7762-3132 | 120 | 600 | .07 |

| Part No. | Product No. | Number of Teeth | Pitch Length (mm) | Weight (Lbs.) |
|-------------|-------------|-----------------|-------------------|---------------|
| AT5-610-16 | 7762-3133 | 122 | 610 | .07 |
| AT5-630-16 | 7762-3134 | 126 | 630 | .08 |
| AT5-660-16 | 7762-3135 | 132 | 660 | .08 |
| AT5-720-16 | 7762-3136 | 144 | 720 | .09 |
| AT5-750-16 | 7762-3137 | 150 | 750 | .09 |
| AT5-780-16 | 7762-3138 | 156 | 780 | .09 |
| AT5-825-16 | 7762-3139 | 165 | 825 | .10 |
| AT5-975-16 | 7762-3140 | 195 | 975 | .12 |
| AT5-1050-16 | 7762-3141 | 210 | 1050 | .13 |
| AT5-1125-16 | 7762-3142 | 225 | 1125 | .14 |
| AT5-1500-16 | 7762-3316 | 300 | 1500 | .18 |

AT5 Pitch — 20mm Wide

| Part No. | Product No. | Number of Teeth | Pitch Length (mm) | Weight (Lbs.) |
|------------|-------------|-----------------|-------------------|---------------|
| AT5-255-20 | 7762-3145 | 51 | 255 | .04 |
| AT5-275-20 | 7762-3146 | 55 | 275 | .04 |
| AT5-280-20 | 7762-3147 | 56 | 280 | .04 |
| AT5-300-20 | 7762-3148 | 60 | 300 | .05 |
| AT5-340-20 | 7762-3149 | 68 | 340 | .05 |
| AT5-375-20 | 7762-3150 | 75 | 375 | .06 |
| AT5-390-20 | 7762-3151 | 78 | 390 | .06 |
| AT5-420-20 | 7762-3152 | 84 | 420 | .06 |
| AT5-455-20 | 7762-3153 | 91 | 455 | .07 |
| AT5-500-20 | 7762-3154 | 100 | 500 | .08 |
| AT5-545-20 | 7762-3155 | 109 | 545 | .08 |
| AT5-600-20 | 7762-3156 | 120 | 600 | .09 |

| Part No. | Product No. | Number of Teeth | Pitch Length (mm) | Weight (Lbs.) |
|-------------|-------------|-----------------|-------------------|---------------|
| AT5-610-20 | 7762-3157 | 122 | 610 | .09 |
| AT5-630-20 | 7762-3158 | 126 | 630 | .10 |
| AT5-660-20 | 7762-3159 | 132 | 660 | .10 |
| AT5-720-20 | 7762-3160 | 144 | 720 | .11 |
| AT5-750-20 | 7762-3161 | 150 | 750 | .11 |
| AT5-780-20 | 7762-3162 | 156 | 780 | .12 |
| AT5-825-20 | 7762-3163 | 165 | 825 | .12 |
| AT5-975-20 | 7762-3164 | 195 | 975 | .15 |
| AT5-1050-20 | 7762-3165 | 210 | 1050 | .16 |
| AT5-1125-20 | 7762-3166 | 225 | 1125 | .17 |
| AT5-1500-20 | 7762-3317 | 300 | 1500 | .22 |

AT5 Pitch — 25mm Wide

| Part No. | Product No. | Number of Teeth | Pitch Length (mm) | Weight (Lbs.) |
|------------|-------------|-----------------|-------------------|---------------|
| AT5-255-25 | 7762-3169 | 51 | 255 | .05 |
| AT5-275-25 | 7762-3170 | 55 | 275 | .05 |
| AT5-280-25 | 7762-3171 | 56 | 280 | .05 |
| AT5-300-25 | 7762-3172 | 60 | 300 | .06 |
| AT5-340-25 | 7762-3173 | 68 | 340 | .06 |
| AT5-375-25 | 7762-3174 | 75 | 375 | .07 |
| AT5-390-25 | 7762-3175 | 78 | 390 | .07 |
| AT5-420-25 | 7762-3176 | 84 | 420 | .08 |
| AT5-455-25 | 7762-3177 | 91 | 455 | .09 |
| AT5-500-25 | 7762-3178 | 100 | 500 | .09 |
| AT5-545-25 | 7762-3179 | 109 | 545 | .10 |
| AT5-600-25 | 7762-3180 | 120 | 600 | .11 |

| Part No. | Product No. | Number of Teeth | Pitch Length (mm) | Weight (Lbs.) |
|-------------|-------------|-----------------|-------------------|---------------|
| AT5-610-25 | 7762-3181 | 122 | 610 | .12 |
| AT5-630-25 | 7762-3182 | 126 | 630 | .12 |
| AT5-660-25 | 7762-3183 | 132 | 660 | .12 |
| AT5-720-25 | 7762-3184 | 144 | 720 | .14 |
| AT5-750-25 | 7762-3185 | 150 | 750 | .14 |
| AT5-780-25 | 7762-3186 | 156 | 780 | .15 |
| AT5-825-25 | 7762-3187 | 165 | 825 | .16 |
| AT5-975-25 | 7762-3188 | 195 | 975 | .18 |
| AT5-1050-25 | 7762-3189 | 210 | 1050 | .20 |
| AT5-1125-25 | 7762-3190 | 225 | 1125 | .21 |
| AT5-1500-25 | 7762-3318 | 300 | 1500 | .28 |

AT5 Pitch — 32mm Wide

| Part No. | Product No. | Number of Teeth | Pitch Length (mm) | Weight (Lbs.) |
|------------|-------------|-----------------|-------------------|---------------|
| AT5-255-32 | 7762-3193 | 51 | 255 | .05 |
| AT5-275-32 | 7762-3194 | 55 | 275 | .05 |
| AT5-280-32 | 7762-3195 | 56 | 280 | .05 |
| AT5-300-32 | 7762-3196 | 60 | 300 | .06 |
| AT5-340-32 | 7762-3197 | 68 | 340 | .06 |
| AT5-375-32 | 7762-3198 | 75 | 375 | .07 |
| AT5-390-32 | 7762-3199 | 78 | 390 | .07 |

| Part No. | Product No. | Number of Teeth | Pitch Length (mm) | Weight (Lbs.) |
|------------|-------------|-----------------|-------------------|---------------|
| AT5-420-32 | 7762-3200 | 84 | 420 | .08 |
| AT5-455-32 | 7762-3201 | 91 | 455 | .09 |
| AT5-500-32 | 7762-3202 | 100 | 500 | .09 |
| AT5-545-32 | 7762-3203 | 109 | 545 | .10 |
| AT5-600-32 | 7762-3204 | 120 | 600 | .11 |
| AT5-610-32 | 7762-3205 | 122 | 610 | .12 |
| AT5-630-32 | 7762-3206 | 126 | 630 | .12 |

Synchro-Power® Polyurethane Belts

Product No. Series 7762 (continued)

AT5 Pitch — 32mm Wide (continued)

| Part No. | Product No. | Number of Teeth | Pitch Length (mm) | Weight (Lbs.) |
|------------|-------------|-----------------|-------------------|---------------|
| AT5-660-32 | 7762-3207 | 132 | 660 | .12 |
| AT5-720-32 | 7762-3208 | 144 | 720 | .14 |
| AT5-750-32 | 7762-3209 | 150 | 750 | .14 |
| AT5-780-32 | 7762-3210 | 156 | 780 | .15 |
| AT5-825-32 | 7762-3211 | 165 | 825 | .16 |

| Part No. | Product No. | Number of Teeth | Pitch Length (mm) | Weight (Lbs.) |
|-------------|-------------|-----------------|-------------------|---------------|
| AT5-975-32 | 7762-3212 | 195 | 975 | .18 |
| AT5-1050-32 | 7762-3213 | 210 | 1050 | .20 |
| AT5-1125-32 | 7762-3214 | 225 | 1125 | .21 |
| AT5-1500-32 | 7762-3319 | 300 | 1500 | .28 |

AT5 Pitch — 50mm Wide

| Part No. | Product No. | Number of Teeth | Pitch Length (mm) | Weight (Lbs.) |
|------------|-------------|-----------------|-------------------|---------------|
| AT5-255-50 | 7762-3217 | 51 | 255 | .10 |
| AT5-275-50 | 7762-3218 | 55 | 275 | .10 |
| AT5-280-50 | 7762-3219 | 56 | 280 | .11 |
| AT5-300-50 | 7762-3220 | 60 | 300 | .11 |
| AT5-340-50 | 7762-3221 | 68 | 340 | .13 |
| AT5-375-50 | 7762-3222 | 75 | 375 | .14 |
| AT5-390-50 | 7762-3223 | 78 | 390 | .15 |
| AT5-420-50 | 7762-3224 | 84 | 420 | .16 |
| AT5-455-50 | 7762-3225 | 91 | 455 | .17 |
| AT5-500-50 | 7762-3226 | 100 | 500 | .19 |
| AT5-545-50 | 7762-3227 | 109 | 545 | .21 |
| AT5-600-50 | 7762-3228 | 120 | 600 | .23 |

| Part No. | Product No. | Number of Teeth | Pitch Length (mm) | Weight (Lbs.) |
|-------------|-------------|-----------------|-------------------|---------------|
| AT5-610-50 | 7762-3229 | 122 | 610 | .23 |
| AT5-630-50 | 7762-3230 | 126 | 630 | .24 |
| AT5-660-50 | 7762-3231 | 132 | 660 | .25 |
| AT5-720-50 | 7762-3232 | 144 | 720 | .27 |
| AT5-750-50 | 7762-3233 | 150 | 750 | .28 |
| AT5-780-50 | 7762-3234 | 156 | 780 | .30 |
| AT5-825-50 | 7762-3235 | 165 | 825 | .31 |
| AT5-975-50 | 7762-3236 | 195 | 975 | .37 |
| AT5-1050-50 | 7762-3237 | 210 | 1050 | .40 |
| AT5-1125-50 | 7762-3238 | 225 | 1125 | .43 |
| AT5-1500-50 | 7762-3320 | 300 | 1500 | .56 |

AT5 Pitch — 75mm Wide

| Part No. | Product No. | Number of Teeth | Pitch Length (mm) | Weight (Lbs.) |
|------------|-------------|-----------------|-------------------|---------------|
| AT5-255-75 | 7762-3241 | 51 | 255 | .14 |
| AT5-275-75 | 7762-3242 | 55 | 275 | .16 |
| AT5-280-75 | 7762-3243 | 56 | 280 | .16 |
| AT5-300-75 | 7762-3244 | 60 | 300 | .17 |
| AT5-340-75 | 7762-3245 | 68 | 340 | .19 |
| AT5-375-75 | 7762-3246 | 75 | 375 | .21 |
| AT5-390-75 | 7762-3247 | 78 | 390 | .22 |
| AT5-420-75 | 7762-3248 | 84 | 420 | .24 |
| AT5-455-75 | 7762-3249 | 91 | 455 | .26 |
| AT5-500-75 | 7762-3250 | 100 | 500 | .28 |
| AT5-545-75 | 7762-3251 | 109 | 545 | .31 |
| AT5-600-75 | 7762-3252 | 120 | 600 | .34 |

| Part No. | Product No. | Number of Teeth | Pitch Length (mm) | Weight (Lbs.) |
|-------------|-------------|-----------------|-------------------|---------------|
| AT5-610-75 | 7762-3253 | 122 | 610 | .35 |
| AT5-630-75 | 7762-3254 | 126 | 630 | .36 |
| AT5-660-75 | 7762-3255 | 132 | 660 | .37 |
| AT5-720-75 | 7762-3256 | 144 | 720 | .41 |
| AT5-750-75 | 7762-3257 | 150 | 750 | .43 |
| AT5-780-75 | 7762-3258 | 156 | 780 | .44 |
| AT5-825-75 | 7762-3259 | 165 | 825 | .47 |
| AT5-975-75 | 7762-3260 | 195 | 975 | .55 |
| AT5-1050-75 | 7762-3261 | 210 | 1050 | .60 |
| AT5-1125-75 | 7762-3262 | 225 | 1125 | .64 |
| AT5-1500-75 | 7762-3321 | 300 | 1500 | .85 |

AT5 Pitch — 100mm Wide

| Part No. | Product No. | Number of Teeth | Pitch Length (mm) | Weight (Lbs.) |
|-------------|-------------|-----------------|-------------------|---------------|
| AT5-225-100 | 7762-3264 | 45 | 225 | .17 |
| AT5-255-100 | 7762-3265 | 51 | 255 | .19 |
| AT5-275-100 | 7762-3266 | 55 | 275 | .21 |
| AT5-280-100 | 7762-3267 | 56 | 280 | .21 |
| AT5-300-100 | 7762-3268 | 60 | 300 | .23 |
| AT5-340-100 | 7762-3269 | 68 | 340 | .26 |
| AT5-375-100 | 7762-3270 | 75 | 375 | .28 |
| AT5-390-100 | 7762-3271 | 78 | 390 | .30 |
| AT5-420-100 | 7762-3272 | 84 | 420 | .32 |
| AT5-455-100 | 7762-3273 | 91 | 455 | .34 |
| AT5-500-100 | 7762-3274 | 100 | 500 | .38 |
| AT5-545-100 | 7762-3275 | 109 | 545 | .41 |

| Part No. | Product No. | Number of Teeth | Pitch Length (mm) | Weight (Lbs.) |
|--------------|-------------|-----------------|-------------------|---------------|
| AT5-600-100 | 7762-3276 | 120 | 600 | .45 |
| AT5-610-100 | 7762-3277 | 122 | 610 | .46 |
| AT5-630-100 | 7762-3278 | 126 | 630 | .48 |
| AT5-660-100 | 7762-3279 | 132 | 660 | .50 |
| AT5-720-100 | 7762-3280 | 144 | 720 | .55 |
| AT5-750-100 | 7762-3281 | 150 | 750 | .57 |
| AT5-780-100 | 7762-3282 | 156 | 780 | .59 |
| AT5-825-100 | 7762-3283 | 165 | 825 | .62 |
| AT5-975-100 | 7762-3284 | 195 | 975 | .74 |
| AT5-1050-100 | 7762-3285 | 210 | 1050 | .80 |
| AT5-1125-100 | 7762-3286 | 225 | 1125 | .85 |
| AT5-1500-100 | 7762-3322 | 300 | 1500 | 1.13 |

SYNCHRO-POWER BELTS

Synchro-Power® Polyurethane Belts

Product No. Series 7762 (continued)

AT10 Pitch — 12mm Wide

| Part No. | Product No. | Number of Teeth | Pitch Length (mm) | Weight (Lbs.) | Part No. | Product No. | Number of Teeth | Pitch Length (mm) | Weight (Lbs.) |
|-------------|-------------|-----------------|-------------------|---------------|--------------|-------------|-----------------|-------------------|---------------|
| AT10-500-12 | 7762-4000 | 50 | 500 | .08 | AT10-980-12 | 7762-4013 | 98 | 980 | .15 |
| AT10-560-12 | 7762-4001 | 56 | 560 | .08 | AT10-1010-12 | 7762-4014 | 101 | 1010 | .15 |
| AT10-610-12 | 7762-4002 | 61 | 610 | .09 | AT10-1050-12 | 7762-4015 | 105 | 1050 | .16 |
| AT10-660-12 | 7762-4003 | 66 | 660 | .10 | AT10-1080-12 | 7762-4016 | 108 | 1080 | .16 |
| AT10-700-12 | 7762-4004 | 70 | 700 | .11 | AT10-1150-12 | 7762-4017 | 115 | 1150 | .17 |
| AT10-730-12 | 7762-4005 | 73 | 730 | .11 | AT10-1210-12 | 7762-4018 | 121 | 1210 | .18 |
| AT10-780-12 | 7762-4006 | 78 | 780 | .12 | AT10-1250-12 | 7762-4019 | 125 | 1250 | .19 |
| AT10-800-12 | 7762-4007 | 80 | 800 | .12 | AT10-1320-12 | 7762-4020 | 132 | 1320 | .20 |
| AT10-810-12 | 7762-4008 | 81 | 810 | .12 | AT10-1400-12 | 7762-4021 | 140 | 1400 | .21 |
| AT10-840-12 | 7762-4009 | 84 | 840 | .13 | AT10-1500-12 | 7762-4022 | 150 | 1500 | .23 |
| AT10-890-12 | 7762-4010 | 89 | 890 | .13 | AT10-1600-12 | 7762-4023 | 160 | 1600 | .24 |
| AT10-920-12 | 7762-4011 | 92 | 920 | .14 | AT10-1700-12 | 7762-4024 | 170 | 1700 | .26 |
| AT10-960-12 | 7762-4012 | 96 | 960 | .14 | AT10-1800-12 | 7762-4226 | 180 | 1800 | .27 |

AT10 Pitch — 16mm Wide

| Part No. | Product No. | Number of Teeth | Pitch Length (mm) | Weight (Lbs.) | Part No. | Product No. | Number of Teeth | Pitch Length (mm) | Weight (Lbs.) |
|-------------|-------------|-----------------|-------------------|---------------|--------------|-------------|-----------------|-------------------|---------------|
| AT10-500-16 | 7762-4025 | 50 | 500 | .10 | AT10-980-16 | 7762-4038 | 98 | 980 | .20 |
| AT10-560-16 | 7762-4026 | 56 | 560 | .11 | AT10-1010-16 | 7762-4039 | 101 | 1010 | .20 |
| AT10-610-16 | 7762-4027 | 61 | 610 | .12 | AT10-1050-16 | 7762-4040 | 105 | 1050 | .21 |
| AT10-660-16 | 7762-4028 | 66 | 660 | .13 | AT10-1080-16 | 7762-4041 | 108 | 1080 | .22 |
| AT10-700-16 | 7762-4029 | 70 | 700 | .14 | AT10-1150-16 | 7762-4042 | 115 | 1150 | .23 |
| AT10-730-16 | 7762-4030 | 73 | 730 | .15 | AT10-1210-16 | 7762-4043 | 121 | 1210 | .24 |
| AT10-780-16 | 7762-4031 | 78 | 780 | .16 | AT10-1250-16 | 7762-4044 | 125 | 1250 | .25 |
| AT10-800-16 | 7762-4032 | 80 | 800 | .16 | AT10-1320-16 | 7762-4045 | 132 | 1320 | .26 |
| AT10-810-16 | 7762-4033 | 81 | 810 | .16 | AT10-1400-16 | 7762-4046 | 140 | 1400 | .28 |
| AT10-840-16 | 7762-4034 | 84 | 840 | .17 | AT10-1500-16 | 7762-4047 | 150 | 1500 | .30 |
| AT10-890-16 | 7762-4035 | 89 | 890 | .18 | AT10-1600-16 | 7762-4048 | 160 | 1600 | .32 |
| AT10-920-16 | 7762-4036 | 92 | 920 | .18 | AT10-1700-16 | 7762-4049 | 170 | 1700 | .34 |
| AT10-960-16 | 7762-4037 | 96 | 960 | .19 | AT10-1800-16 | 7762-4228 | 180 | 1800 | .36 |

AT10 Pitch — 20mm Wide

| Part No. | Product No. | Number of Teeth | Pitch Length (mm) | Weight (Lbs.) | Part No. | Product No. | Number of Teeth | Pitch Length (mm) | Weight (Lbs.) |
|-------------|-------------|-----------------|-------------------|---------------|--------------|-------------|-----------------|-------------------|---------------|
| AT10-500-20 | 7762-4050 | 50 | 500 | .13 | AT10-980-20 | 7762-4063 | 98 | 980 | .25 |
| AT10-560-20 | 7762-4051 | 56 | 560 | .14 | AT10-1010-20 | 7762-4064 | 101 | 1010 | .25 |
| AT10-610-20 | 7762-4052 | 61 | 610 | .15 | AT10-1050-20 | 7762-4065 | 105 | 1050 | .26 |
| AT10-660-20 | 7762-4053 | 66 | 660 | .17 | AT10-1080-20 | 7762-4066 | 108 | 1080 | .27 |
| AT10-700-20 | 7762-4054 | 70 | 700 | .18 | AT10-1150-20 | 7762-4067 | 115 | 1150 | .29 |
| AT10-730-20 | 7762-4055 | 73 | 730 | .18 | AT10-1210-20 | 7762-4068 | 121 | 1210 | .30 |
| AT10-780-20 | 7762-4056 | 78 | 780 | .20 | AT10-1250-20 | 7762-4069 | 125 | 1250 | .31 |
| AT10-800-20 | 7762-4057 | 80 | 800 | .20 | AT10-1320-20 | 7762-4070 | 132 | 1320 | .33 |
| AT10-810-20 | 7762-4058 | 81 | 810 | .20 | AT10-1400-20 | 7762-4071 | 140 | 1400 | .35 |
| AT10-840-20 | 7762-4059 | 84 | 840 | .21 | AT10-1500-20 | 7762-4072 | 150 | 1500 | .38 |
| AT10-890-20 | 7762-4060 | 89 | 890 | .22 | AT10-1600-20 | 7762-4073 | 160 | 1600 | .40 |
| AT10-920-20 | 7762-4061 | 92 | 920 | .23 | AT10-1700-20 | 7762-4074 | 170 | 1700 | .43 |
| AT10-960-20 | 7762-4062 | 96 | 960 | .24 | AT10-1800-20 | 7762-4230 | 180 | 1800 | .45 |

AT10 Pitch — 25mm Wide

| Part No. | Product No. | Number of Teeth | Pitch Length (mm) | Weight (Lbs.) | Part No. | Product No. | Number of Teeth | Pitch Length (mm) | Weight (Lbs.) |
|-------------|-------------|-----------------|-------------------|---------------|-------------|-------------|-----------------|-------------------|---------------|
| AT10-500-25 | 7762-4075 | 50 | 500 | .16 | AT10-730-25 | 7762-4080 | 73 | 730 | .23 |
| AT10-560-25 | 7762-4076 | 56 | 560 | .18 | AT10-780-25 | 7762-4081 | 78 | 780 | .24 |
| AT10-610-25 | 7762-4077 | 61 | 610 | .19 | AT10-800-25 | 7762-4082 | 80 | 800 | .25 |
| AT10-660-25 | 7762-4078 | 66 | 660 | .21 | AT10-810-25 | 7762-4083 | 81 | 810 | .25 |
| AT10-700-25 | 7762-4079 | 70 | 700 | .22 | AT10-840-25 | 7762-4084 | 84 | 840 | .26 |

SYNCHRO-POWER BELTS

Synchro-Power® Polyurethane Belts

Product No. Series 7762 (continued)

AT10 Pitch — 25mm Wide (continued)

| Part No. | Product No. | Number of Teeth | Pitch Length (mm) | Weight (Lbs.) | Part No. | Product No. | Number of Teeth | Pitch Length (mm) | Weight (Lbs.) |
|--------------|-------------|-----------------|-------------------|---------------|--------------|-------------|-----------------|-------------------|---------------|
| AT10-890-25 | 7762-4085 | 89 | 890 | .28 | AT10-1210-25 | 7762-4093 | 121 | 1210 | .38 |
| AT10-920-25 | 7762-4086 | 92 | 920 | .29 | AT10-1250-25 | 7762-4094 | 125 | 1250 | .39 |
| AT10-960-25 | 7762-4087 | 96 | 960 | .30 | AT10-1320-25 | 7762-4095 | 132 | 1320 | .41 |
| AT10-980-25 | 7762-4088 | 98 | 980 | .31 | AT10-1400-25 | 7762-4096 | 140 | 1400 | .44 |
| AT10-1010-25 | 7762-4089 | 101 | 1010 | .32 | AT10-1500-25 | 7762-4097 | 150 | 1500 | .47 |
| AT10-1050-25 | 7762-4090 | 105 | 1050 | .33 | AT10-1600-25 | 7762-4098 | 160 | 1600 | .50 |
| AT10-1080-25 | 7762-4091 | 108 | 1080 | .34 | AT10-1700-25 | 7762-4099 | 170 | 1700 | .53 |
| AT10-1150-25 | 7762-4092 | 115 | 1150 | .36 | AT10-1800-25 | 7762-4242 | 180 | 1800 | .56 |

AT10 Pitch — 32mm Wide

| Part No. | Product No. | Number of Teeth | Pitch Length (mm) | Weight (Lbs.) | Part No. | Product No. | Number of Teeth | Pitch Length (mm) | Weight (Lbs.) |
|-------------|-------------|-----------------|-------------------|---------------|--------------|-------------|-----------------|-------------------|---------------|
| AT10-500-32 | 7762-4100 | 50 | 500 | .20 | AT10-980-32 | 7762-4113 | 98 | 980 | .39 |
| AT10-560-32 | 7762-4101 | 56 | 560 | .22 | AT10-1010-32 | 7762-4114 | 101 | 1010 | .41 |
| AT10-610-32 | 7762-4102 | 61 | 610 | .24 | AT10-1050-32 | 7762-4115 | 105 | 1050 | .42 |
| AT10-660-32 | 7762-4103 | 66 | 660 | .26 | AT10-1080-32 | 7762-4116 | 108 | 1080 | .43 |
| AT10-700-32 | 7762-4104 | 70 | 700 | .28 | AT10-1150-32 | 7762-4117 | 115 | 1150 | .46 |
| AT10-730-32 | 7762-4105 | 73 | 730 | .29 | AT10-1210-32 | 7762-4118 | 121 | 1210 | .49 |
| AT10-780-32 | 7762-4106 | 78 | 780 | .31 | AT10-1250-32 | 7762-4119 | 125 | 1250 | .50 |
| AT10-800-32 | 7762-4107 | 80 | 800 | .32 | AT10-1320-32 | 7762-4120 | 132 | 1320 | .53 |
| AT10-810-32 | 7762-4108 | 81 | 810 | .33 | AT10-1400-32 | 7762-4121 | 140 | 1400 | .56 |
| AT10-840-32 | 7762-4109 | 84 | 840 | .34 | AT10-1500-32 | 7762-4122 | 150 | 1500 | .60 |
| AT10-890-32 | 7762-4110 | 89 | 890 | .36 | AT10-1600-32 | 7762-4123 | 160 | 1600 | .64 |
| AT10-920-32 | 7762-4111 | 92 | 920 | .37 | AT10-1700-32 | 7762-4124 | 170 | 1700 | .68 |
| AT10-960-32 | 7762-4112 | 96 | 960 | .39 | AT10-1800-32 | 7762-4233 | 180 | 1800 | .72 |

AT10 Pitch — 50mm Wide

| Part No. | Product No. | Number of Teeth | Pitch Length (mm) | Weight (Lbs.) | Part No. | Product No. | Number of Teeth | Pitch Length (mm) | Weight (Lbs.) |
|-------------|-------------|-----------------|-------------------|---------------|--------------|-------------|-----------------|-------------------|---------------|
| AT10-500-50 | 7762-4125 | 50 | 500 | .31 | AT10-980-50 | 7762-4138 | 98 | 980 | .61 |
| AT10-560-50 | 7762-4126 | 56 | 560 | .35 | AT10-1010-50 | 7762-4139 | 101 | 1010 | .63 |
| AT10-610-50 | 7762-4127 | 61 | 610 | .38 | AT10-1050-50 | 7762-4140 | 105 | 1050 | .66 |
| AT10-660-50 | 7762-4128 | 66 | 660 | .41 | AT10-1080-50 | 7762-4141 | 108 | 1080 | .68 |
| AT10-700-50 | 7762-4129 | 70 | 700 | .44 | AT10-1150-50 | 7762-4142 | 115 | 1150 | .72 |
| AT10-730-50 | 7762-4130 | 73 | 730 | .46 | AT10-1210-50 | 7762-4143 | 121 | 1210 | .76 |
| AT10-780-50 | 7762-4131 | 78 | 780 | .49 | AT10-1250-50 | 7762-4144 | 125 | 1250 | .78 |
| AT10-800-50 | 7762-4132 | 80 | 800 | .50 | AT10-1320-50 | 7762-4145 | 132 | 1320 | .83 |
| AT10-810-50 | 7762-4133 | 81 | 810 | .51 | AT10-1400-50 | 7762-4146 | 140 | 1400 | .88 |
| AT10-840-50 | 7762-4134 | 84 | 840 | .53 | AT10-1500-50 | 7762-4147 | 150 | 1500 | .94 |
| AT10-890-50 | 7762-4135 | 89 | 890 | .56 | AT10-1600-50 | 7762-4148 | 160 | 1600 | 1.00 |
| AT10-920-50 | 7762-4136 | 92 | 920 | .58 | AT10-1700-50 | 7762-4149 | 170 | 1700 | 1.07 |
| AT10-960-50 | 7762-4137 | 96 | 960 | .60 | AT10-1800-50 | 7762-4235 | 180 | 1800 | 1.12 |

AT10 Pitch — 75mm Wide

| Part No. | Product No. | Number of Teeth | Pitch Length (mm) | Weight (Lbs.) | Part No. | Product No. | Number of Teeth | Pitch Length (mm) | Weight (Lbs.) |
|-------------|-------------|-----------------|-------------------|---------------|--------------|-------------|-----------------|-------------------|---------------|
| AT10-500-75 | 7762-4150 | 50 | 500 | .47 | AT10-890-75 | 7762-4160 | 89 | 890 | .84 |
| AT10-560-75 | 7762-4151 | 56 | 560 | .53 | AT10-920-75 | 7762-4161 | 92 | 920 | .87 |
| AT10-610-75 | 7762-4152 | 61 | 610 | .57 | AT10-960-75 | 7762-4162 | 96 | 960 | .90 |
| AT10-660-75 | 7762-4153 | 66 | 660 | .62 | AT10-980-75 | 7762-4163 | 98 | 980 | .92 |
| AT10-700-75 | 7762-4154 | 70 | 700 | .66 | AT10-1010-75 | 7762-4164 | 101 | 1010 | .95 |
| AT10-730-75 | 7762-4155 | 73 | 730 | .69 | AT10-1050-75 | 7762-4165 | 105 | 1050 | .99 |
| AT10-780-75 | 7762-4156 | 78 | 780 | .73 | AT10-1080-75 | 7762-4166 | 108 | 1080 | 1.02 |
| AT10-800-75 | 7762-4157 | 80 | 800 | .75 | AT10-1150-75 | 7762-4167 | 115 | 1150 | 1.08 |
| AT10-810-75 | 7762-4158 | 81 | 810 | .76 | AT10-1210-75 | 7762-4168 | 121 | 1210 | 1.14 |
| AT10-840-75 | 7762-4159 | 84 | 840 | .79 | AT10-1250-75 | 7762-4169 | 125 | 1250 | 1.18 |

SYNCHRO-POWER BELTS

Synchro-Power® Polyurethane Belts

Product No. Series 7762 (continued)

AT10 Pitch — 75mm Wide (continued)

| Part No. | Product No. | Number of Teeth | Pitch Length (mm) | Weight (Lbs.) | Part No. | Product No. | Number of Teeth | Pitch Length (mm) | Weight (Lbs.) |
|--------------|-------------|-----------------|-------------------|---------------|--------------|-------------|-----------------|-------------------|---------------|
| AT10-1320-75 | 7762-4170 | 132 | 1320 | 1.24 | AT10-1600-75 | 7762-4173 | 160 | 1600 | 1.51 |
| AT10-1400-75 | 7762-4171 | 140 | 1400 | 1.32 | AT10-1700-75 | 7762-4174 | 170 | 1700 | 1.60 |
| AT10-1500-75 | 7762-4172 | 150 | 1500 | 1.41 | AT10-1800-75 | 7762-4237 | 180 | 1800 | 1.69 |

AT10 Pitch — 100mm Wide

| Part No. | Product No. | Number of Teeth | Pitch Length (mm) | Weight (Lbs.) | Part No. | Product No. | Number of Teeth | Pitch Length (mm) | Weight (Lbs.) |
|--------------|-------------|-----------------|-------------------|---------------|---------------|-------------|-----------------|-------------------|---------------|
| AT10-500-100 | 7762-4175 | 50 | 500 | .63 | AT10-980-100 | 7762-4188 | 98 | 980 | 1.23 |
| AT10-560-100 | 7762-4176 | 56 | 560 | .70 | AT10-1010-100 | 7762-4189 | 101 | 1010 | 1.27 |
| AT10-610-100 | 7762-4177 | 61 | 610 | .77 | AT10-1050-100 | 7762-4190 | 105 | 1050 | 1.32 |
| AT10-660-100 | 7762-4178 | 66 | 660 | .83 | AT10-1080-100 | 7762-4191 | 108 | 1080 | 1.35 |
| AT10-700-100 | 7762-4179 | 70 | 700 | .88 | AT10-1150-100 | 7762-4192 | 115 | 1150 | 1.44 |
| AT10-730-100 | 7762-4180 | 73 | 730 | .92 | AT10-1210-100 | 7762-4193 | 121 | 1210 | 1.52 |
| AT10-780-100 | 7762-4181 | 78 | 780 | .98 | AT10-1250-100 | 7762-4194 | 125 | 1250 | 1.57 |
| AT10-800-100 | 7762-4182 | 80 | 800 | 1.00 | AT10-1320-100 | 7762-4195 | 132 | 1320 | 1.66 |
| AT10-810-100 | 7762-4183 | 81 | 810 | 1.02 | AT10-1400-100 | 7762-4196 | 140 | 1400 | 1.76 |
| AT10-840-100 | 7762-4184 | 84 | 840 | 1.05 | AT10-1500-100 | 7762-4197 | 150 | 1500 | 1.88 |
| AT10-890-100 | 7762-4185 | 89 | 890 | 1.12 | AT10-1600-100 | 7762-4198 | 160 | 1600 | 2.01 |
| AT10-920-100 | 7762-4186 | 92 | 920 | 1.15 | AT10-1700-100 | 7762-4199 | 170 | 1700 | 2.13 |
| AT10-960-100 | 7762-4187 | 96 | 960 | 1.20 | AT10-1800-100 | 7762-4239 | 180 | 1800 | 2.25 |

Synchro-Power® Polyurethane Belts

Product No. Series 7762 (continued)

Made-to-Order T2.5 Pitch*

| Part No. | Number of Teeth | Pitch Length (mm) | Part No. | Number of Teeth | Pitch Length (mm) | Part No. | Number of Teeth | Pitch Length (mm) | Part No. | Number of Teeth | Pitch Length (mm) |
|-----------------------|-----------------|-------------------|------------|-----------------|-------------------|----------|-----------------|-------------------|-----------|-----------------|-------------------|
| ¹ T2.5-120 | 48 | 120 | T2.5-245 | 98 | 245 | T2.5-380 | 152 | 380 | T2.5-700 | 280 | 700 |
| ¹ T2.5-145 | 58 | 145 | T2.5-265 | 106 | 265 | T2.5-420 | 168 | 420 | T2.5-780 | 312 | 780 |
| T2.5-160 | 64 | 160 | T2.5-277.5 | 111 | 277.5 | T2.5-480 | 192 | 480 | T2.5-880 | 352 | 880 |
| T2.5-177.5 | 71 | 177.5 | T2.5-285 | 114 | 285 | T2.5-500 | 200 | 500 | T2.5-915 | 366 | 915 |
| T2.5-180 | 72 | 180 | T2.5-290 | 116 | 290 | T2.5-540 | 216 | 540 | T2.5-950 | 380 | 950 |
| T2.5-182.5 | 73 | 182.5 | T2.5-305 | 122 | 305 | T2.5-600 | 240 | 600 | T2.5-1185 | 474 | 1185 |
| T2.5-200 | 80 | 200 | T2.5-317.5 | 127 | 317.5 | T2.5-620 | 248 | 620 | | | |
| T2.5-210 | 84 | 210 | T2.5-330 | 132 | 330 | T2.5-650 | 260 | 650 | | | |
| T2.5-230 | 92 | 230 | T2.5-342.5 | 137 | 342.5 | T2.5-680 | 272 | 680 | | | |

Made-to-Order T5 Pitch*

| Part No. | Number of Teeth | Pitch Length (mm) | Part No. | Number of Teeth | Pitch Length (mm) | Part No. | Number of Teeth | Pitch Length (mm) | Part No. | Number of Teeth | Pitch Length (mm) |
|---------------------|-----------------|-------------------|----------|-----------------|-------------------|----------|-----------------|-------------------|----------|-----------------|-------------------|
| ¹ T5-120 | 24 | 120 | T5-460 | 92 | 460 | T5-920 | 184 | 920 | T5-1440 | 288 | 1440 |
| T5-210 | 42 | 210 | T5-515 | 103 | 515 | T5-1160 | 232 | 1160 | T5-1470 | 294 | 1470 |
| T5-300 | 60 | 300 | T5-765 | 153 | 765 | T5-1200 | 240 | 1200 | T5-1500 | 300 | 1500 |
| T5-375 | 75 | 375 | T5-830 | 166 | 830 | T5-1275 | 255 | 1275 | T5-1580 | 316 | 1580 |
| T5-425 | 85 | 425 | T5-860 | 172 | 860 | T5-1280 | 256 | 1280 | T5-1955 | 391 | 1955 |
| T5-440 | 88 | 440 | T5-885 | 177 | 885 | T5-1355 | 271 | 1355 | | | |

Made-to-Order T10 Pitch*

| Part No. | Number of Teeth | Pitch Length (mm) | Part No. | Number of Teeth | Pitch Length (mm) | Part No. | Number of Teeth | Pitch Length (mm) | Part No. | Number of Teeth | Pitch Length (mm) |
|----------|-----------------|-------------------|----------|-----------------|-------------------|----------|-----------------|-------------------|----------|-----------------|-------------------|
| T10-320 | 32 | 320 | T10-550 | 55 | 550 | T10-1050 | 105 | 1050 | T10-1700 | 170 | 1700 |
| T10-340 | 34 | 340 | T10-650 | 65 | 650 | T10-1200 | 120 | 1200 | | | |
| T10-390 | 39 | 390 | T10-680 | 68 | 680 | T10-1440 | 144 | 1440 | | | |
| T10-480 | 48 | 480 | T10-850 | 85 | 850 | T10-1600 | 160 | 1600 | | | |

Made-to-Order AT5 Pitch*

| Part No. | Number of Teeth | Pitch Length (mm) | Part No. | Number of Teeth | Pitch Length (mm) | Part No. | Number of Teeth | Pitch Length (mm) |
|----------|-----------------|-------------------|----------|-----------------|-------------------|----------|-----------------|-------------------|
| AT5-225 | 45 | 225 | AT5-480 | 96 | 480 | AT5-710 | 142 | 710 |
| AT5-330 | 66 | 330 | AT5-525 | 105 | 525 | AT5-860 | 172 | 860 |
| AT5-450 | 90 | 450 | AT5-670 | 134 | 670 | AT5-2000 | 400 | 2000 |

Made-to-Order AT10 Pitch*

| Part No. | Number of Teeth | Pitch Length (mm) | Part No. | Number of Teeth | Pitch Length (mm) | Part No. | Number of Teeth | Pitch Length (mm) | Part No. | Number of Teeth | Pitch Length (mm) |
|-----------|-----------------|-------------------|-----------|-----------------|-------------------|-----------|-----------------|-------------------|-----------|-----------------|-------------------|
| AT10-370 | 37 | 370 | AT10-1100 | 110 | 1100 | AT10-1280 | 128 | 1280 | AT10-1630 | 163 | 1630 |
| AT10-580 | 58 | 580 | AT10-1190 | 119 | 1190 | AT10-1300 | 130 | 1300 | AT10-1720 | 172 | 1720 |
| AT10-600 | 60 | 600 | AT10-1200 | 120 | 1200 | AT10-1350 | 135 | 1350 | AT10-1860 | 186 | 1860 |
| AT10-630 | 63 | 630 | AT10-1220 | 122 | 1220 | AT10-1360 | 136 | 1360 | AT10-1940 | 194 | 1940 |
| AT10-880 | 88 | 880 | AT10-1230 | 123 | 1230 | AT10-1420 | 142 | 1420 | | | |
| AT10-1000 | 100 | 1000 | AT10-1240 | 124 | 1240 | AT10-1480 | 148 | 1480 | | | |

*Minimum order quantity is full sleeve yield +/- 10%. Unless otherwise noted, sleeve width is 300mm. Minimum cut belt width is 4 mm.

Contact customer service for pricing and availability.

¹ 240mm sleeve

Synchro-Power® Polyurethane Belts

Product No. Series 7762 (continued)

Made-to-Order DT5 Pitch*

| Part No. | Number of Teeth | Pitch Length (mm) | Part No. | Number of Teeth | Pitch Length (mm) | Part No. | Number of Teeth | Pitch Length (mm) | Part No. | Number of Teeth | Pitch Length (mm) |
|----------|-----------------|-------------------|----------|-----------------|-------------------|----------|-----------------|-------------------|----------|-----------------|-------------------|
| DT5-410 | 82 | 410 | DT5-550 | 110 | 550 | DT5-700 | 140 | 700 | DT5-860 | 172 | 860 |
| DT5-460 | 92 | 460 | DT5-590 | 118 | 590 | DT5-750 | 150 | 750 | DT5-940 | 188 | 940 |
| DT5-515 | 103 | 515 | DT5-620 | 124 | 620 | DT5-815 | 163 | 815 | DT5-1100 | 220 | 1100 |
| DT5-525 | 105 | 525 | DT5-685 | 137 | 685 | DT5-840 | 168 | 840 | | | |

Made-to-Order DT10 Pitch*

| Part No. | Number of Teeth | Pitch Length (mm) | Part No. | Number of Teeth | Pitch Length (mm) | Part No. | Number of Teeth | Pitch Length (mm) | Part No. | Number of Teeth | Pitch Length (mm) |
|----------|-----------------|-------------------|----------|-----------------|-------------------|-----------|-----------------|-------------------|-----------|-----------------|-------------------|
| DT10-260 | 26 | 260 | DT10-720 | 72 | 720 | DT10-1100 | 110 | 1100 | DT10-1350 | 135 | 1350 |
| DT10-530 | 53 | 530 | DT10-840 | 84 | 840 | DT10-1210 | 121 | 1210 | DT10-1420 | 142 | 1420 |
| DT10-630 | 63 | 630 | DT10-900 | 90 | 900 | DT10-1240 | 124 | 1240 | DT10-1610 | 161 | 1610 |
| DT10-660 | 66 | 660 | DT10-920 | 92 | 920 | DT10-1250 | 125 | 1250 | DT10-1880 | 188 | 1880 |
| DT10-700 | 70 | 700 | DT10-980 | 98 | 980 | DT10-1320 | 132 | 1320 | | | |

*Minimum order quantity is full sleeve yield +/- 10%. Unless otherwise noted, sleeve width is 300mm. Minimum cut belt width is 4 mm.

Contact customer service for pricing and availability.

Synchro-Power® Polyurethane Timing Belts

Endless urethane construction provides higher strength as compared to welded urethane belts, making them well-suited for use in power transmission and high-performance positioning applications.

Markets/Applications

Synchro-Power imperial pitch timing belts are ideal for use in office machines, machine tools, postage equipment, sewing machines, vending machines, agriculture, outdoor power equipment, wood and paper, sand/gravel operations, oil fields, food processing, and HVAC.

Features/Advantages

- **Steel tensile cord** for length stability.
- Abrasion, chemical, and wear resistant for extended life.
- Temperature ranges from -22°F to +176°F (-30°C to +80°C).

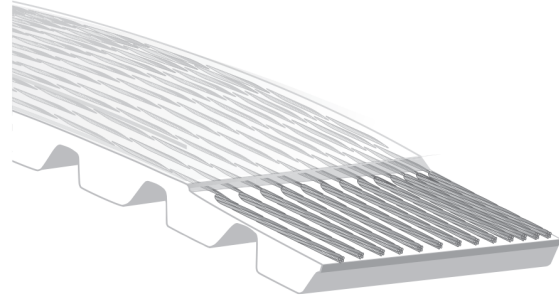
Recommended Sprockets

Contact the Gates Made-To-Order Metal Team

Notes

See end of this section for Made-to-Order lengths available. The minimum order quantity is full sleeve yield +/- 10%. Sleeve widths are 300mm unless otherwise noted. Minimum cut belt width is 4mm. Please contact Customer Service for price and availability.

Synchro-Power belts listed on the following pages are available in custom widths as Standard/Non-Stock with no minimum order quantities required. Contact Customer Service for minimum and maximum width range.



Product No. Series 7758

3/8" Pitch (.375"/L) — 1/2" Wide

| Part No. | Product No. | Number of Teeth | Pitch Length (in) | Weight (Lbs.) |
|----------|-------------|-----------------|-------------------|---------------|
| 150L050U | 7758-0050 | 40 | 15.00 | .03 |
| 187L050U | 7758-0053 | 50 | 18.75 | .04 |
| 202L050U | 7758-0056 | 54 | 20.25 | .04 |
| 210L050U | 7758-0059 | 56 | 21.00 | .04 |
| 225L050U | 7758-0062 | 60 | 22.50 | .05 |
| 240L050U | 7758-0065 | 64 | 24.00 | .05 |
| 255L050U | 7758-0068 | 68 | 25.50 | .06 |
| 270L050U | 7758-0071 | 72 | 27.00 | .06 |

| Part No. | Product No. | Number of Teeth | Pitch Length (in) | Weight (Lbs.) |
|----------|-------------|-----------------|-------------------|---------------|
| 285L050U | 7758-0074 | 76 | 28.50 | .06 |
| 300L050U | 7758-0077 | 80 | 30.00 | .07 |
| 322L050U | 7758-0080 | 86 | 32.25 | .07 |
| 345L050U | 7758-0083 | 92 | 34.50 | .08 |
| 367L050U | 7758-0086 | 98 | 36.75 | .08 |
| 390L050U | 7758-0089 | 104 | 39.00 | .09 |
| 420L050U | 7758-0092 | 112 | 42.00 | .10 |

3/8" Pitch (.375"/L) — 3/4" Wide

| Part No. | Product No. | Number of Teeth | Pitch Length (in) | Weight (Lbs.) |
|----------|-------------|-----------------|-------------------|---------------|
| 150L075U | 7758-0051 | 40 | 15.00 | .04 |
| 187L075U | 7758-0054 | 50 | 18.75 | .06 |
| 202L075U | 7758-0057 | 54 | 20.25 | .06 |
| 210L075U | 7758-0060 | 56 | 21.00 | .06 |
| 225L075U | 7758-0063 | 60 | 22.50 | .07 |
| 240L075U | 7758-0066 | 64 | 24.00 | .08 |
| 255L075U | 7758-0069 | 68 | 25.50 | .08 |
| 270L075U | 7758-0072 | 72 | 27.00 | .09 |

| Part No. | Product No. | Number of Teeth | Pitch Length (in) | Weight (Lbs.) |
|----------|-------------|-----------------|-------------------|---------------|
| 285L075U | 7758-0075 | 76 | 28.50 | .10 |
| 300L075U | 7758-0078 | 80 | 30.00 | .10 |
| 322L075U | 7758-0081 | 86 | 32.25 | .11 |
| 345L075U | 7758-0084 | 92 | 34.50 | .12 |
| 367L075U | 7758-0087 | 98 | 36.75 | .13 |
| 390L075U | 7758-0090 | 104 | 39.00 | .14 |
| 420L075U | 7758-0093 | 112 | 42.00 | .15 |

3/8" Pitch (.375"/L) — 1" Wide

| Part No. | Product No. | Number of Teeth | Pitch Length (in) | Weight (Lbs.) |
|----------|-------------|-----------------|-------------------|---------------|
| 150L100U | 7758-0052 | 40 | 15.00 | .06 |
| 187L100U | 7758-0055 | 50 | 18.75 | .08 |
| 202L100U | 7758-0058 | 54 | 20.25 | .08 |
| 210L100U | 7758-0061 | 56 | 21.00 | .09 |
| 225L100U | 7758-0064 | 60 | 22.50 | .10 |
| 240L100U | 7758-0067 | 64 | 24.00 | .10 |

| Part No. | Product No. | Number of Teeth | Pitch Length (in) | Weight (Lbs.) |
|----------|-------------|-----------------|-------------------|---------------|
| 255L100U | 7758-0070 | 68 | 25.50 | .12 |
| 270L100U | 7758-0073 | 72 | 27.00 | .12 |
| 285L100U | 7758-0076 | 76 | 28.50 | .12 |
| 300L100U | 7758-0079 | 80 | 30.00 | .13 |
| 322L100U | 7758-0082 | 86 | 32.25 | .15 |
| 345L100U | 7758-0085 | 92 | 34.50 | .16 |

Synchro-Power® Polyurethane Timing Belts

Product No. Series 7758 (continued)

3/8" Pitch (.375"/L) — 1" Wide (continued)

| Part No. | Product No. | Number of Teeth | Pitch Length (in) | Weight (Lbs.) |
|----------|-------------|-----------------|-------------------|---------------|
| 367L100U | 7758-0088 | 98 | 36.75 | .17 |
| 390L100U | 7758-0091 | 104 | 39.00 | .18 |

| Part No. | Product No. | Number of Teeth | Pitch Length (in) | Weight (Lbs.) |
|----------|-------------|-----------------|-------------------|---------------|
| 420L100U | 7758-0094 | 112 | 42.00 | .20 |

1/2" Pitch (.500"/H) — 3/4" Wide

| Part No. | Product No. | Number of Teeth | Pitch Length (in) | Weight (Lbs.) |
|----------|-------------|-----------------|-------------------|---------------|
| 240H075U | 7758-0000 | 48 | 24.00 | .09 |
| 270H075U | 7758-0005 | 54 | 27.00 | .10 |
| 300H075U | 7758-0010 | 60 | 30.00 | .10 |
| 330H075U | 7758-0015 | 66 | 33.00 | .12 |
| 360H075U | 7758-0020 | 72 | 36.00 | .15 |

| Part No. | Product No. | Number of Teeth | Pitch Length (in) | Weight (Lbs.) |
|----------|-------------|-----------------|-------------------|---------------|
| 390H075U | 7758-0025 | 78 | 39.00 | .16 |
| 420H075U | 7758-0030 | 84 | 42.00 | .17 |
| 450H075U | 7758-0035 | 90 | 45.00 | .18 |
| 480H075U | 7758-0040 | 96 | 48.00 | .20 |
| 510H075U | 7758-0045 | 102 | 51.00 | .21 |

1/2" Pitch (.500"/H) — 1" Wide

| Part No. | Product No. | Number of Teeth | Pitch Length (in) | Weight (Lbs.) |
|----------|-------------|-----------------|-------------------|---------------|
| 240H100U | 7758-0001 | 48 | 24.00 | .10 |
| 270H100U | 7758-0006 | 54 | 27.00 | .11 |
| 300H100U | 7758-0011 | 60 | 30.00 | .13 |
| 330H100U | 7758-0016 | 66 | 33.00 | .15 |
| 360H100U | 7758-0021 | 72 | 36.00 | .17 |

| Part No. | Product No. | Number of Teeth | Pitch Length (in) | Weight (Lbs.) |
|----------|-------------|-----------------|-------------------|---------------|
| 390H100U | 7758-0026 | 78 | 39.00 | .18 |
| 420H100U | 7758-0031 | 84 | 42.00 | .20 |
| 450H100U | 7758-0036 | 90 | 45.00 | .23 |
| 480H100U | 7758-0041 | 96 | 48.00 | .23 |
| 510H100U | 7758-0046 | 102 | 51.00 | .26 |

1/2" Pitch (.500"/H) — 1 1/2" Wide

| Part No. | Product No. | Number of Teeth | Pitch Length (in) | Weight (Lbs.) |
|----------|-------------|-----------------|-------------------|---------------|
| 240H150U | 7758-0002 | 48 | 24.00 | .15 |
| 270H150U | 7758-0007 | 54 | 27.00 | .20 |
| 300H150U | 7758-0012 | 60 | 30.00 | .21 |
| 330H150U | 7758-0017 | 66 | 33.00 | .26 |
| 360H150U | 7758-0022 | 72 | 36.00 | .30 |

| Part No. | Product No. | Number of Teeth | Pitch Length (in) | Weight (Lbs.) |
|----------|-------------|-----------------|-------------------|---------------|
| 390H150U | 7758-0027 | 78 | 39.00 | .32 |
| 420H150U | 7758-0032 | 84 | 42.00 | .37 |
| 450H150U | 7758-0037 | 90 | 45.00 | .39 |
| 480H150U | 7758-0042 | 96 | 48.00 | .43 |
| 510H150U | 7758-0047 | 102 | 51.00 | .49 |

1/2" Pitch (.500"/H) — 2" Wide

| Part No. | Product No. | Number of Teeth | Pitch Length (in) | Weight (Lbs.) |
|----------|-------------|-----------------|-------------------|---------------|
| 240H200U | 7758-0003 | 48 | 24.00 | .23 |
| 270H200U | 7758-0008 | 54 | 27.00 | .25 |
| 300H200U | 7758-0013 | 60 | 30.00 | .30 |
| 330H200U | 7758-0018 | 66 | 33.00 | .32 |
| 360H200U | 7758-0023 | 72 | 36.00 | .37 |

| Part No. | Product No. | Number of Teeth | Pitch Length (in) | Weight (Lbs.) |
|----------|-------------|-----------------|-------------------|---------------|
| 390H200U | 7758-0028 | 78 | 39.00 | .40 |
| 420H200U | 7758-0033 | 84 | 42.00 | .45 |
| 450H200U | 7758-0038 | 90 | 45.00 | .50 |
| 480H200U | 7758-0043 | 96 | 48.00 | .52 |
| 510H200U | 7758-0048 | 102 | 51.00 | .57 |

1/2" Pitch (.500"/H) — 3" Wide

| Part No. | Product No. | Number of Teeth | Pitch Length (in) | Weight (Lbs.) |
|----------|-------------|-----------------|-------------------|---------------|
| 240H300U | 7758-0004 | 48 | 24.00 | .45 |
| 270H300U | 7758-0009 | 54 | 27.00 | .50 |
| 300H300U | 7758-0014 | 60 | 30.00 | .57 |
| 330H300U | 7758-0019 | 66 | 33.00 | .60 |
| 360H300U | 7758-0024 | 72 | 36.00 | .65 |

| Part No. | Product No. | Number of Teeth | Pitch Length (in) | Weight (Lbs.) |
|----------|-------------|-----------------|-------------------|---------------|
| 390H300U | 7758-0029 | 78 | 39.00 | .70 |
| 420H300U | 7758-0034 | 84 | 42.00 | .75 |
| 450H300U | 7758-0039 | 90 | 45.00 | .79 |
| 480H300U | 7758-0044 | 96 | 48.00 | .85 |
| 510H300U | 7758-0049 | 102 | 51.00 | .89 |

Synchro-Power® Polyurethane Timing Belts

Product No. Series 7758 (continued)

Made-to-Order 2/25" Pitch (.080"/MXL)*

| Part No. | No. of Teeth | Pitch Length (mm) | Part No. | No. of Teeth | Pitch Length (mm) | Part No. | No. of Teeth | Pitch Length (mm) | Part No. | No. of Teeth | Pitch Length (mm) |
|----------|--------------|-------------------|----------|--------------|-------------------|----------|--------------|-------------------|----------|--------------|-------------------|
| 1440 MXL | 55 | 4.40 | 736 MXL | 92 | 7.36 | 1080 MXL | 135 | 10.80 | 2464 MXL | 308 | 24.64 |
| 1456 MXL | 57 | 4.56 | 768 MXL | 96 | 7.68 | 1120 MXL | 140 | 11.20 | 2656 MXL | 332 | 26.56 |
| 1480 MXL | 60 | 4.80 | 808 MXL | 101 | 8.08 | 1160 MXL | 145 | 11.60 | 2816 MXL | 352 | 28.16 |
| 1560 MXL | 70 | 5.60 | 816 MXL | 102 | 8.16 | 1200 MXL | 150 | 12.00 | 2880 MXL | 360 | 28.80 |
| 1576 MXL | 72 | 5.76 | 824 MXL | 103 | 8.24 | 1240 MXL | 155 | 12.40 | 3160 MXL | 395 | 31.60 |
| 1600 MXL | 75 | 6.00 | 840 MXL | 105 | 8.40 | 1400 MXL | 175 | 14.00 | 3240 MXL | 405 | 32.40 |
| 1608 MXL | 76 | 6.08 | 880 MXL | 110 | 8.80 | 1520 MXL | 190 | 15.20 | 3296 MXL | 412 | 32.96 |
| 1632 MXL | 79 | 6.32 | 912 MXL | 114 | 9.12 | 1600 MXL | 200 | 16.00 | 3456 MXL | 432 | 34.56 |
| 640 MXL | 80 | 6.40 | 944 MXL | 118 | 9.44 | 1768 MXL | 221 | 17.68 | 3632 MXL | 454 | 36.32 |
| 656 MXL | 82 | 6.56 | 960 MXL | 120 | 9.60 | 2048 MXL | 256 | 20.48 | 3880 MXL | 485 | 38.80 |
| 704 MXL | 88 | 7.04 | 1040 MXL | 130 | 10.40 | 2240 MXL | 280 | 22.40 | | | |
| 728 MXL | 91 | 7.28 | 1056 MXL | 132 | 10.56 | 2280 MXL | 285 | 22.80 | | | |

Made-to-Order 1/5" Pitch (.200"/XL)*

| Part No. | No. of Teeth | Pitch Length (mm) | Part No. | No. of Teeth | Pitch Length (mm) | Part No. | No. of Teeth | Pitch Length (mm) | Part No. | No. of Teeth | Pitch Length (mm) |
|----------|--------------|-------------------|----------|--------------|-------------------|----------|--------------|-------------------|----------|--------------|-------------------|
| 60 XL | 30 | 6.00 | 120 XL | 60 | 12.00 | 194 XL | 97 | 19.40 | 288 XL | 144 | 28.80 |
| 70 XL | 35 | 7.00 | 130 XL | 65 | 13.00 | 200 XL | 100 | 20.00 | 290 XL | 145 | 29.00 |
| 76 XL | 38 | 7.60 | 134 XL | 67 | 13.40 | 210 XL | 105 | 21.00 | 300 XL | 150 | 30.00 |
| 80 XL | 40 | 8.00 | 140 XL | 70 | 14.00 | 220 XL | 110 | 22.00 | 356 XL | 178 | 35.60 |
| 90 XL | 45 | 9.00 | 150 XL | 75 | 15.00 | 230 XL | 115 | 23.00 | 414 XL | 207 | 41.40 |
| 96 XL | 48 | 9.60 | 160 XL | 80 | 16.00 | 240 XL | 120 | 24.00 | 450 XL | 225 | 45.00 |
| 100 XL | 50 | 10.00 | 170 XL | 85 | 17.00 | 250 XL | 125 | 25.00 | 566 XL | 283 | 56.60 |
| 106 XL | 53 | 10.60 | 180 XL | 90 | 18.00 | 260 XL | 130 | 26.00 | | | |
| 110 XL | 55 | 11.00 | 190 XL | 95 | 19.00 | 270 XL | 135 | 27.00 | | | |

Made-to-Order 3/8" Pitch (.375"/L)- L Pitch*

| Part No. | No. of Teeth | Pitch Length (mm) | Part No. | No. of Teeth | Pitch Length (mm) | Part No. | No. of Teeth | Pitch Length (mm) |
|----------|--------------|-------------------|----------|--------------|-------------------|----------|--------------|-------------------|
| 86 L | 23 | 8.60 | 450 L | 120 | 45.00 | 540 L | 144 | 54.00 |
| 124 L | 33 | 12.38 | 480 L | 128 | 48.00 | 570 L | 152 | 57.00 |
| 173 L | 46 | 17.25 | 510 L | 136 | 51.00 | 600 L | 160 | 60.00 |

Made-to-Order 1/2" (.500"/H)- H Pitch*

| Part No. | No. of Teeth | Pitch Length (mm) |
|----------|--------------|-------------------|
| 230 H | 46 | 23.00 |

*Minimum order quantity is full sleeve yield +/- 10%. Unless otherwise noted, sleeve width is 300mm. Minimum cut belt width is 4mm.

Contact customer service for pricing and availability.

¹ 100mm sleeve

² 120mm sleeve

³ 270mm sleeve